

WHELEN[®] ENGINEERING COMPANY INC.

51 Winthrop Road
 Chester, Connecticut 06412-0684
 Phone: (860) 526-9504
 Fax: (860) 526-4078
 Internet: www.whelen.com
 Sales e-mail: autosale@whelen.com
 Canadian Sales e-mail: autocan@whelen.com
 Customer Service e-mail: custserv@whelen.com

Installation Guide: Siren Speaker Bracket (Center Mount) for Siren Model(s) SA314, SA315 2003-up Crown Victoria

DANGER! Sirens produces extremely loud emergency warning tones! Exposure to these tones without proper and adequate hearing protection, could cause ear damage and/or hearing loss! The Occupational Safety & Health Administration (www.osha.gov) provides information necessary to determine safe exposure times in Occupational Noise Exposure Section 1910.95. Until you have determined the safe exposure times for your specific application, operators and anyone else in the immediate vicinity should be required to wear an approved hearing protection device. **FAILURE TO FOLLOW THIS RECOMMENDATION COULD CAUSE HEARING LOSS!**

Safety First

This document provides all the necessary information to allow your Whelen product to be properly and safely installed. Before beginning the installation and/or operation of your new product, the installation technician and operator must read this manual completely. Important information is contained herein that could prevent serious injury or damage.

- Proper installation of this product requires the installer to have a good understanding of automotive electronics, systems and procedures.
- If mounting this product requires drilling holes, the installer **MUST** be sure that no vehicle components or other vital parts could be damaged by the drilling process. Check both sides of the mounting surface before drilling begins. Also de-burr any holes and remove any metal shards or remnants. Install grommets into all wire passage holes.
- If this manual states that this product may be mounted with suction cups, magnets, tape or Velcro[®], clean the mounting surface with a 50/50 mix of isopropyl alcohol and water and dry thoroughly.
- Do not install this product or route any wires in the deployment area of your air bag. Equipment mounted or located in the air bag deployment area will damage or reduce the effectiveness of the air bag, or become a projectile that could cause serious personal injury or death. Refer to your vehicle owner's manual for the air bag deployment area. The User/Installer assumes full responsibility to determine proper mounting location, based on providing ultimate safety to all passengers inside the vehicle.
- For this product to operate at optimum efficiency, a good electrical connection to chassis ground must be made. The recommended procedure requires the product ground wire to be connected directly to the **NEGATIVE (-)** battery post.
- If this product uses a remote device to activate or control this product, make sure this control is located in an area that allows both the vehicle and the control to be operated safely in any driving condition. **DO NOT ATTEMPT TO ACTIVATE OR CONTROL THIS DEVICE IN A HAZARDOUS DRIVING SITUATION.**
- It is recommended that these instructions be stored in a safe place and referred to when performing maintenance and/or reinstallation of this product.
- **FAILURE TO FOLLOW THESE SAFETY PRECAUTIONS AND INSTRUCTIONS COULD RESULT IN DAMAGE TO THE PRODUCT OR VEHICLE AND/OR SERIOUS INJURY TO YOU AND YOUR PASSENGERS!**

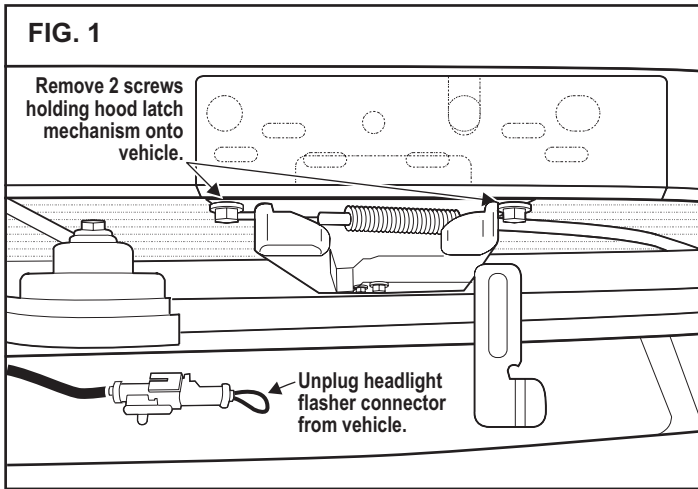
ACTIVATION OF THIS SIREN MAY DAMAGE UNPROTECTED EARS!	
 Wear Protection!	CAUTION Loud siren noise can cause hearing damage and/or loss. Refer to OSHA Section 1910.95 prior to putting ANY siren into service!

For warranty information regarding this product, visit www.whelen.com/warranty

SA-314 / SA315 Installation:

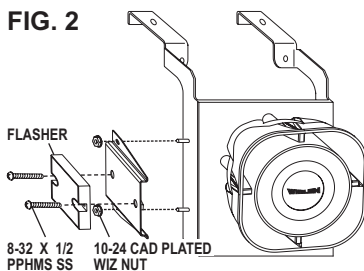
The SA314 and SA315 mount the same except for mounting the speaker to the bracket.

1. Unplug the vehicle headlight flasher's connector and remove it from its mounting tab for connection to the Whelen® headlight flasher to be installed (Fig. 1).
2. Wire the Whelen flasher to the vehicle following the flashers instructions, then attach it to the speaker bracket (Fig. 2).
3. Mount the speaker to the bracket using the mounting hardware supplied with the bracket.
4. Remove the 2 bolts holding the bottom hood latch to the vehicle then remove the bottom hood latch and set it aside (do not disconnect the cable) (Fig. 1).
5. Place the bracket (with speaker) onto the mounting area and line



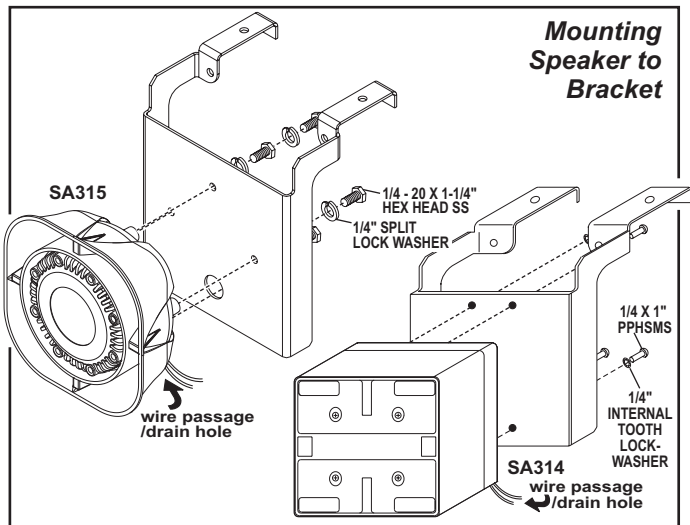
the bracket mounting holes up with the hood latch mounting holes. The hood release cable runs below the bracket (Fig. 3). The top of the bracket hooks over the frame to add to stability.

6. Reattach the hood latch over the speaker bracket, using the original bolts from the hood latch. You will notice that there are 2 holes in the top of the bracket (Fig. 3). You may add self-tapping screws (supplied) here as an extra precaution.

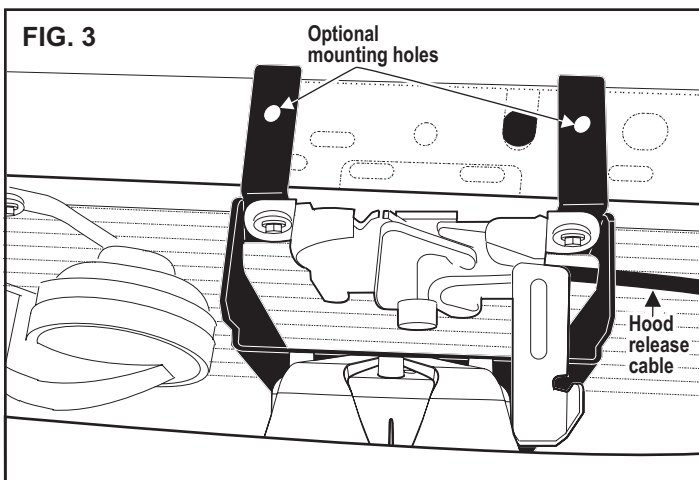


IMPORTANT: Position the hood latch so that when you reattach the bolts, they are in the exact same spot they were before you took them off. Go by the round wear marks that each bolt leaves in the hood latch. This will insure that the hood latch is in the same position as before and that the hood will close properly.

Caution: Using a torque wrench, retighten the hood latch bolts to 9 Ft./Lbs.



IMPORTANT: For drainage purposes, the speaker must be oriented so the wire passage hole (which is also the drain hole) is in the "6 o'clock" position (closest to the road). Improper mounting will result in premature driver failure and void the product warranty.



7. Extend the WHITE (positive) and BLACK (negative) speaker wires to your siren amplifier and connect them as shown in the amplifier's instructions.

IMPORTANT! It is the responsibility of the installation technician to make sure that the installation and operation of this product

will not interfere with or compromise the operation or efficiency of any vehicle equipment!

ACTIVATION OF THIS SIREN MAY DAMAGE UNPROTECTED EARS!

CAUTION

Loud siren noise can cause hearing damage and/or loss. Refer to OSHA Section 1910.95 prior to putting ANY siren into service!

Wear Protection!