

# WHELEN<sup>®</sup>

ENGINEERING COMPANY INC.

Route 145, Winthrop Road,  
Chester, Connecticut 06412

Phone: (860) 526-9504

Fax: (860) 526-4078

Internet: [www.whelen.com](http://www.whelen.com)

Sales e-mail: [autosale@whelen.com](mailto:autosale@whelen.com)

Canadian Sales e-mail: [autocan@whelen.com](mailto:autocan@whelen.com)

Customer Service e-mail: [custserv@whelen.com](mailto:custserv@whelen.com)

## Installation Guide for the LED Dash-Miser™ Plus

### Safety First

This document provides all the necessary information to allow your Whelen product to be properly and safely installed. Before beginning the installation and/or operation of your new product, the installation technician and operator must read this manual completely. Important information is contained herein that could prevent serious injury or damage.

- **Proper installation of this product requires the installer to have a good understanding of automotive electronics, systems and procedures.**
- **If mounting this product requires drilling holes, the installer MUST be sure that no vehicle components or other vital parts could be damaged by the drilling process. Check both sides of the mounting surface before drilling begins. Also de-burr the holes and remove any metal shards or remnants. Install grommets into all wire passage holes.**
- **If this manual states that this product may be mounted with suction cups, magnets, tape or Velcro™, clean the mounting surface with a 50/50 mix of isopropyl alcohol and water and dry thoroughly.**
- **Do not install this product or route any wires in the deployment area of your air bag. Equipment mounted or located in the air bag deployment area will damage or reduce the effectiveness of the air bag, or become a projectile that could cause serious personal injury or death. Refer to your vehicle owners manual for the air bag deployment area. The User/Installer assumes full responsibility to determine proper mounting location, based on providing ultimate safety to all passengers inside the vehicle.**
- **For this product to operate at optimum efficiency, a good electrical connection to chassis ground must be made. The recommended procedure requires the product ground wire to be connected directly to the NEGATIVE (-) battery post (this does not include products that use cigar power cords).**
- **If this product uses a remote device for activation or control, make sure that this device is located in an area that allows both the vehicle and the device to be operated safely in any driving condition.**
- **Do not attempt to activate or control this device in a hazardous driving situation.**
- **This product contains either strobe light(s), halogen light(s), high-intensity LEDs or a combination of these lights. Do not stare directly into these lights. Momentary blindness and/or eye damage could result.**
- **Use only soap and water to clean the outer lens. Use of other chemicals could result in premature lens cracking (crazing) and discoloration. Lenses in this condition have significantly reduced effectiveness and should be replaced immediately. Inspect and operate this product regularly to confirm its proper operation and mounting condition. Do not use a pressure washer to clean this product.**
- **It is recommended that these instructions be stored in a safe place and referred to when performing maintenance and/or reinstallation of this product.**
- **FAILURE TO FOLLOW THESE SAFETY PRECAUTIONS AND INSTRUCTIONS COULD RESULT IN DAMAGE TO THE PRODUCT OR VEHICLE AND/OR SERIOUS INJURY TO YOU AND YOUR PASSENGERS!**

**For warranty information regarding this product, visit [www.whelen.com/warranty](http://www.whelen.com/warranty)**

## Read Before Installation:

**WARNING!** The use of any magnetically mounted warning beacon on the outside of a vehicle while in motion is not recommended and is at the sole discretion and risk of the user. Whelen Engineering makes no warranties or guarantees of equipment used in this way.

**WARNING!** This product produces an intense light (flashing or otherwise) during the course of its normal operation. Do not position this product in such a way that this light will be visible to the vehicle operator. Exposure to light of such sudden intensity may cause a momentary lack of visual acuity. Under no circumstances should anyone look directly at the light source when product is connected to a power source.

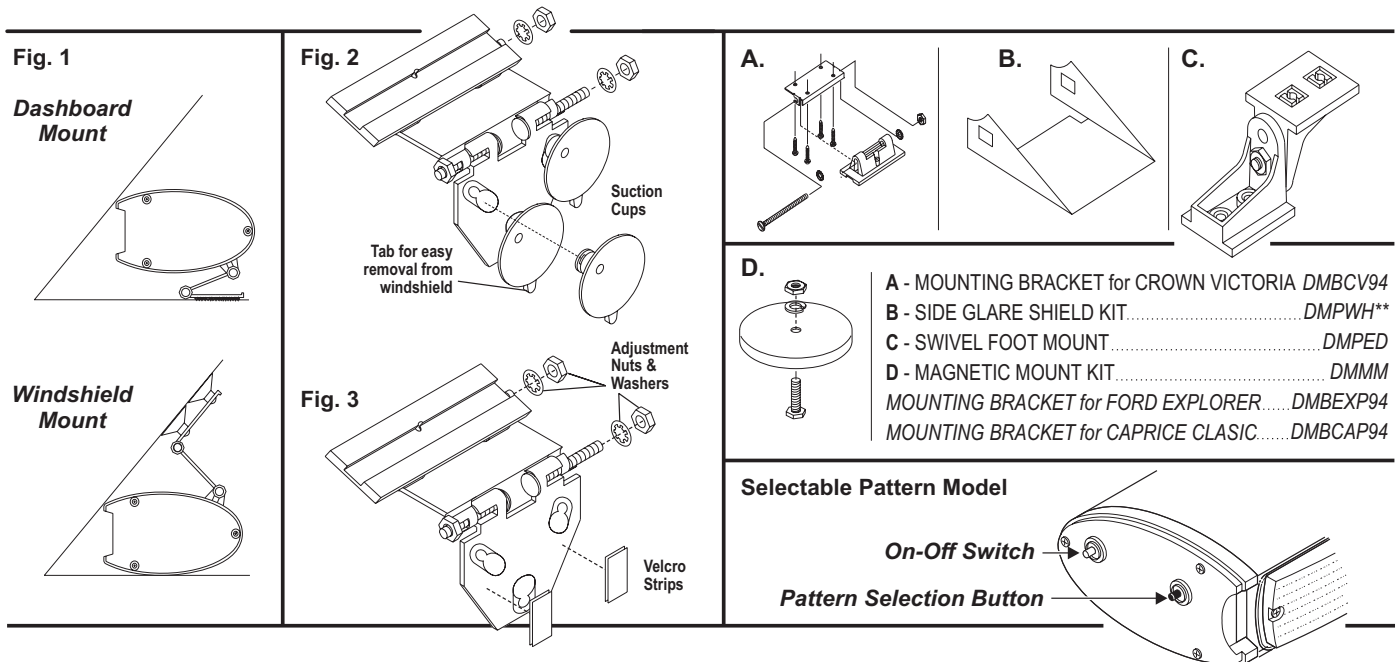
**WARNING!** Do not attempt to wash this or any other electrical device while it is connected to its power source. Exposure to any liquid while product is connected to

power source may result in an electrical short circuit within the product and will cause permanent damage to the product and possible injury to the user.

**WARNING!** All customer supplied wires that connect to the positive terminal of the battery, must be sized to supply at least 125% of the maximum operating current and must be fused "AT THE BATTERY" to carry that load.

**WARNING!** Do not attempt to touch any interior components until at least 5 (five) minutes have elapsed since device has been disconnected from its power supply. This will prevent accidental electrical discharge from occurring that could cause a High-Voltage shock.

**CAUTION!** This product has been designed to rest on top of the vehicle's dashboard. Suction cups are available to prevent lateral movement while the vehicle is in motion. These suction cups should not be used to suspend this product above the dashboard.



## Installation:

1. Determine mounting style (windshield or dashboard). For windshield mounting, apply the supplied suction cups to the universal mounting bracket. Windshield mounting requires this product to be in contact with the dashboard while secured to the windshield. For dashboard mounting use the velcro strips (See Figs. 3 & 4). For dashboard mounting use the velcro strips (See Fig. 1).
2. To adjust the light, loosen the adjustment nuts, position the unit for optimum visibility and re-tighten the adjustment nuts (Figs. 2 & 3). Your light should be adjusted so that its beam is parallel with the road at drivers-eye level. This ensures visibility by other vehicles on the road.

## Operation: Using Scan-Lock™

**TO CYCLE FORWARD THROUGH ALL PATTERNS:** Press the pattern selection button for less than 1 second and release. This will change the pattern. Repeat to go to next pattern.

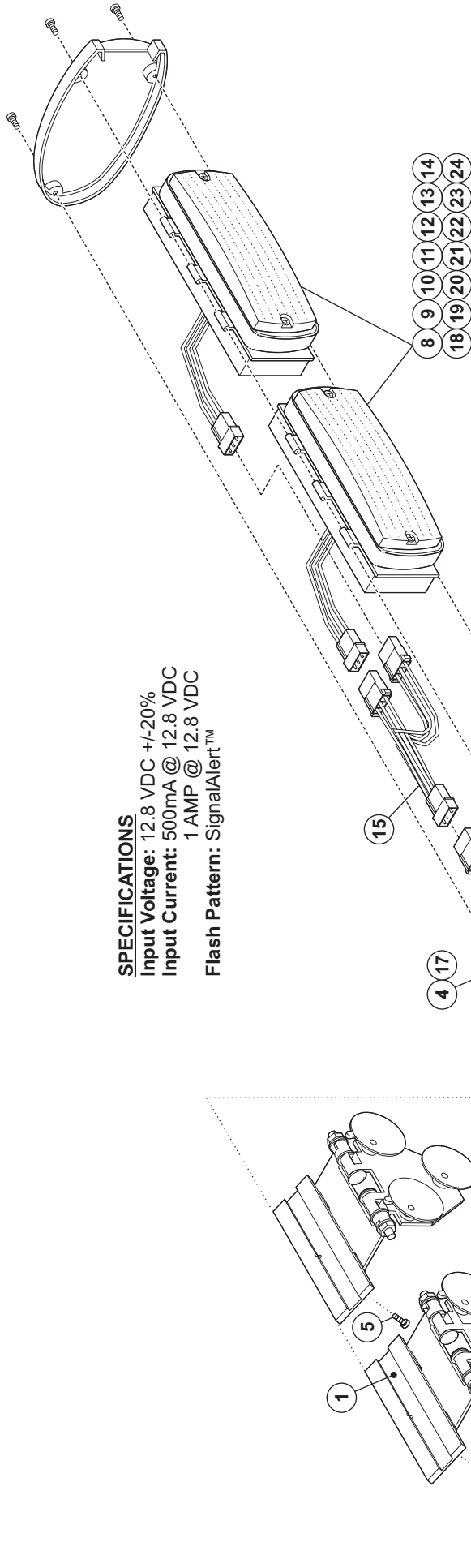
**TO CHOOSE A PATTERN:** While cycling through the patterns, when you find the pattern you want, let it run for more than 5 seconds and it will lock in and become the default pattern.

**TO RESET TO THE FACTORY DEFAULT PATTERN:** Turn off the Dash-Miser, press the pattern selection button, then turn the unit back on.

**NOTE:** For a list of the available flash patterns and specifications, refer to the next 2 pages. Only models equipped with pattern selection buttons have selectable flash patterns. Models without selection buttons are set to the Signal Alert 150 flash pattern.

**SPECIFICATIONS**

Input Voltage: 12.8 VDC +/-20%  
 Input Current: 500mA @ 12.8 VDC  
 1 AMP @ 12.8 VDC  
 Flash Pattern: SignalAlert™



**LED / LENS COLOR**  
 A = AMBER / AMBER  
 B = BLUE / BLUE  
 C = WHITE / CLEAR  
 R = RED / RED  
 1 = AMBER / CLEAR  
 2 = BLUE / CLEAR  
 5 = RED / CLEAR

**PART NUMBER KEY:**  
 EXAMPLE / SINGLE:  
 01-06685912-A0  
 AMBER / AMBER  
 EXAMPLE / DOUBLE:  
 01-06685912-BR  
 RED / RED  
 BLUE / BLUE

QTY	ITEM	PART NUMBER	DESCRIPTION
*		01-06685912-()0	L.E.D. DASH-MISER SINGLE - SINGLE PATTERN
*		01-06685912-()	L.E.D. DASH-MISER DOUBLE - SINGLE PATTERN
2	1	01-0461791-00	UNIVERSAL MOUNTING KIT
2	1	01-0461801-00	SUCTION CUP KIT
2	2	11-261326-000	TRAFFIC ADVISOR ENDCAP
1	4	11-361740-000	DOUBLE HOUSING
2	1		SCREW / #6 X 5/8" PPHSMS
4	4		SCREW / #6 X 5/8" PPHSMS
2	2		SCREW / 8 X 5/8 PPHSMS
A/R	A/R	01-0663507A03	LIGHTHEAD 500 TIR LED AMBER-AMBER
A/R	A/R	01-0663507B03	LIGHTHEAD 500 TIR LED BLUE-BLUE
A/R	A/R	01-0663507C03	LIGHTHEAD 500 TIR LED CLEAR-WHITE
A/R	A/R	01-0663507R03	LIGHTHEAD 500 TIR LED RED-RED
A/R	A/R	01-0663507103	LIGHTHEAD 500 TIR LED CLEAR-AMBER
A/R	A/R	01-0663507203	LIGHTHEAD 500 TIR LED CLEAR-BLUE
A/R	A/R	01-0663507503	LIGHTHEAD 500 TIR LED CLEAR-RED
-	1	46-0746314-00	INPUT CONNECTOR ASSEMBLY
1	1	02-0246315-00	CIGAR PLUG / STRAIGHT CORD with SWITCH
-	1	11-361739-000	SINGLE HOUSING
A/R	A/R	01-0663507A23	LIGHTHEAD 500 TIR 140° LED AMBER-AMBER
A/R	A/R	01-0663507B23	LIGHTHEAD 500 TIR 140° LED BLUE-BLUE
A/R	A/R	01-0663507C23	LIGHTHEAD 500 TIR 140° LED CLEAR-WHITE
A/R	A/R	01-0663507R23	LIGHTHEAD 500 TIR 140° LED RED-RED
A/R	A/R	01-0663507123	LIGHTHEAD 500 TIR 140° LED CLEAR-AMBER
A/R	A/R	01-0663507223	LIGHTHEAD 500 TIR 140° LED CLEAR-BLUE
A/R	A/R	01-0663507523	LIGHTHEAD 500 TIR 140° LED CLEAR-RED

**FLASH PATTERNS**

**Single Unit:**

- 1 - RapidFire™ 680
- 2 - RapidFire™ 240
- 3 - RapidFire™ 120
- 4 - DoubleFlash 240
- 5 - DoubleFlash 120
- 6 - CometFlash™
- 7 - ActionFlash™
- 8 - ModuFlash™
- 9 - SignalAlert™ 120
- 10 - ScanFlash™
- 11 - CalFlash™
- 12 - Calif. Steady Burn

**FLASH PATTERNS**

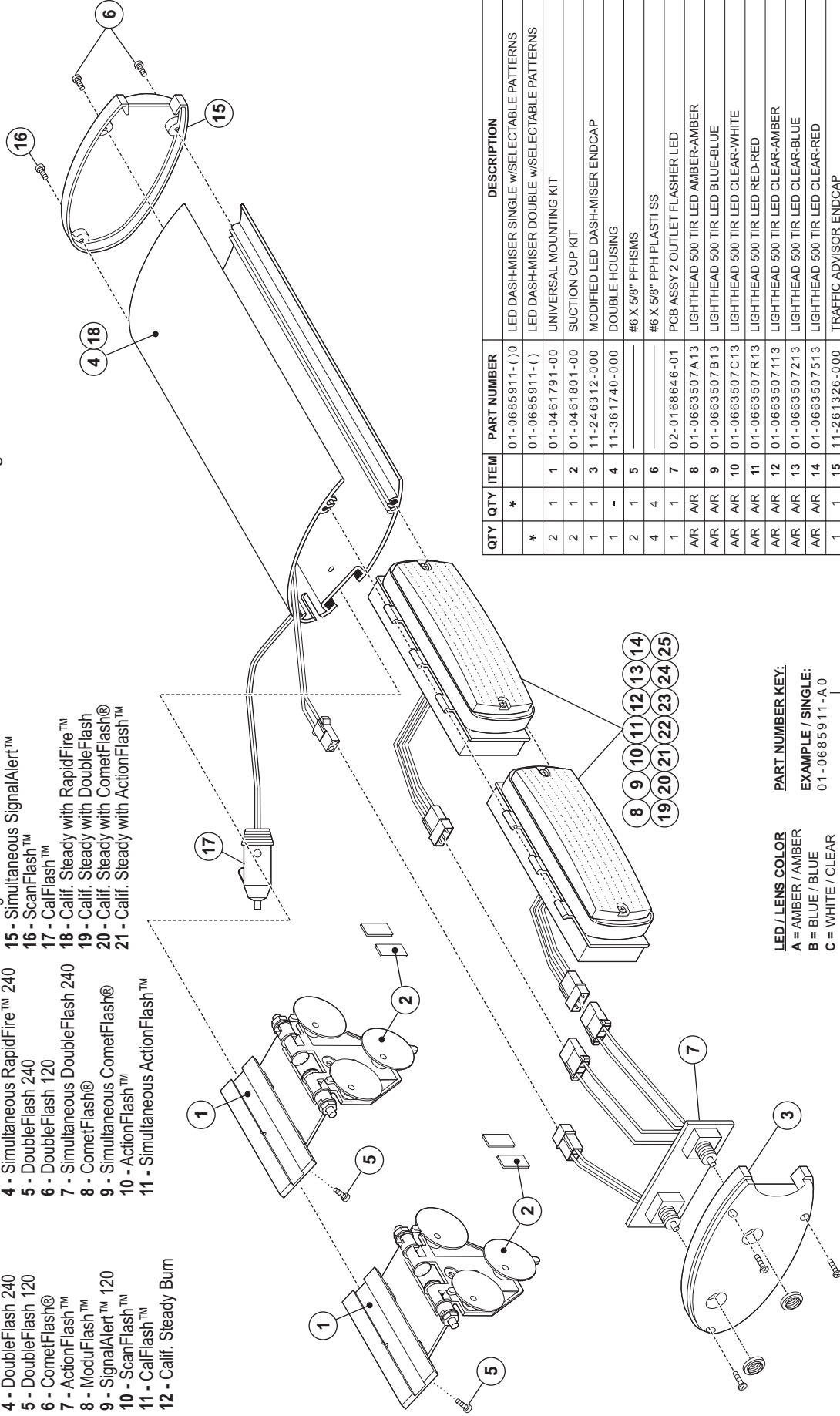
**Dual Unit:**

- 1 - RapidFire™ 680
- 2 - RapidFire™ 240
- 3 - RapidFire™ 120
- 4 - Simultaneous RapidFire™ 240
- 5 - DoubleFlash 240
- 6 - DoubleFlash 120
- 7 - Simultaneous DoubleFlash 240
- 8 - CometFlash®
- 9 - Simultaneous CometFlash®
- 10 - ActionFlash™
- 11 - Simultaneous ActionFlash™

- 12 - ModuFlash™
- 13 - Simultaneous ModuFlash™
- 14 - SignalAlert™
- 15 - Simultaneous SignalAlert™
- 16 - ScanFlash™
- 17 - CalFlash™
- 18 - Calif. Steady with RapidFire™
- 19 - Calif. Steady with DoubleFlash
- 20 - Calif. Steady with CometFlash®
- 21 - Calif. Steady with ActionFlash™

**SPECIFICATIONS**

**Input Voltage:** 12.8 VDC +/-20%  
**Input Current:** 500mA @ 12.8 VDC  
**1 AMP @ 12.8 VDC**  
**Flash Pattern:** Signal/Alert



QTY	ITEM	PART NUMBER	DESCRIPTION
*		01-0685911-(J)	LED DASH-MISER SINGLE w/SELECTABLE PATTERNS
*		01-0685911-(-)	LED DASH-MISER DOUBLE w/SELECTABLE PATTERNS
2	1	01-0461791-00	UNIVERSAL MOUNTING KIT
2	1	01-0461801-00	SUCTION CUP KIT
1	1	11-246312-000	MODIFIED LED DASH-MISER ENDCAP
1	-	11-361740-000	DOUBLE HOUSING
2	1		#6 X 5/8" PPHSMS
4	4		#6 X 5/8" PPH PLASTI SS
1	7	02-0168846-01	PCB ASSY 2 OUTLET FLASHER LED
A/R	A/R	01-0663507A13	LIGHTHEAD 500 TIR LED AMBER-AMBER
A/R	A/R	01-0663507B13	LIGHTHEAD 500 TIR LED BLUE-BLUE
A/R	A/R	01-0663507C13	LIGHTHEAD 500 TIR LED CLEAR-WHITE
A/R	A/R	01-0663507R13	LIGHTHEAD 500 TIR LED RED-RED
A/R	A/R	01-0663507113	LIGHTHEAD 500 TIR LED CLEAR-AMBER
A/R	A/R	01-0663507213	LIGHTHEAD 500 TIR LED CLEAR-BLUE
A/R	A/R	01-0663507513	LIGHTHEAD 500 TIR LED CLEAR-RED
1	1	11-261326-000	TRAFFIC ADVISOR ENDCAP
2	2		8 X 5/8 PPHSMS
1	17	02-0246313-00	STRAIGHT CIGAR CORD LED DASH-MISER
-	1	11-361739-000	SINGLE HOUSING
A/R	A/R	01-0663507A23	LIGHTHEAD 500 TIR 140° LED AMBER-AMBER
A/R	A/R	01-0663507B23	LIGHTHEAD 500 TIR 140° LED BLUE-BLUE
A/R	A/R	01-0663507C23	LIGHTHEAD 500 TIR 140° LED CLEAR-WHITE
A/R	A/R	01-0663507R23	LIGHTHEAD 500 TIR 140° LED RED-RED
A/R	A/R	01-0663507123	LIGHTHEAD 500 TIR 140° LED CLEAR-AMBER
A/R	A/R	01-0663507223	LIGHTHEAD 500 TIR 140° LED CLEAR-BLUE
A/R	A/R	01-0663507523	LIGHTHEAD 500 TIR 140° LED CLEAR-RED

**LED / LENS COLOR**  
**A** = AMBER / AMBER  
**B** = BLUE / BLUE  
**C** = WHITE / CLEAR  
**R** = RED / RED  
**1** = AMBER / CLEAR  
**2** = BLUE / CLEAR  
**5** = RED / CLEAR

**PART NUMBER KEY:**  
**EXAMPLE / SINGLE:**  
 01-0685911-A0  
 └ AMBER / AMBER

**EXAMPLE / DOUBLE:**  
 01-0685911-BR  
 └ RED / RED  
 └ BLUE / BLUE

- 8
- 9
- 10
- 11
- 12
- 13
- 14
- 19
- 20
- 21
- 22
- 23
- 24
- 25