

WHELEN[®]

ENGINEERING COMPANY INC.

51 Winthrop Road
 Chester, Connecticut 06412-0684
 Phone: (860) 526-9504
 Fax: (860) 526-4078
 Internet: www.whelen.com
 Sales e-mail: autosale@whelen.com
 Canadian Sales e-mail: autocan@whelen.com
 Customer Service e-mail: custserv@whelen.com

Installation/Operating Guide: CenCom™ Siren/Light Control System

DANGER! Sirens produces extremely loud emergency warning tones! Exposure to these tones without proper and adequate hearing protection, could cause ear damage and/or hearing loss! The Occupational Safety & Health Administration (www.osha.gov) provides information necessary to determine safe exposure times in Occupational Noise Exposure Section 1910.95. Until you have determined the safe exposure times for your specific application, operators and anyone else in the immediate vicinity should be required to wear an approved hearing protection device. **FAILURE TO FOLLOW THIS RECOMMENDATION COULD CAUSE HEARING LOSS!**

Safety First

This document provides all the necessary information to allow your Whelen product to be properly and safely installed. Before beginning the installation and/or operation of your new product, the installation technician and operator must read this manual completely. Important information is contained herein that could prevent serious injury or damage.

- Proper installation of this product requires the installer to have a good understanding of automotive electronics, systems and procedures.
- If mounting this product requires drilling holes, the installer **MUST** be sure that no vehicle components or other vital parts could be damaged by the drilling process. Check both sides of the mounting surface before drilling begins. Also de-burr any holes and remove any metal shards or remnants. Install grommets into all wire passage holes.
- If this manual states that this product may be mounted with suction cups, magnets, tape or Velcro®, clean the mounting surface with a 50/50 mix of isopropyl alcohol and water and dry thoroughly.
- Do not install this product or route any wires in the deployment area of your air bag. Equipment mounted or located in the air bag deployment area will damage or reduce the effectiveness of the air bag, or become a projectile that could cause serious personal injury or death. Refer to your vehicle owner's manual for the air bag deployment area. The User/Installer assumes full responsibility to determine proper mounting location, based on providing ultimate safety to all passengers inside the vehicle.
- For this product to operate at optimum efficiency, a good electrical connection to chassis ground must be made. The recommended procedure requires the product ground wire to be connected directly to the **NEGATIVE (-)** battery post.
- If this product uses a remote device to activate or control this product, make sure this control is located in an area that allows both the vehicle and the control to be operated safely in any driving condition. **DO NOT ATTEMPT TO ACTIVATE OR CONTROL THIS DEVICE IN A HAZARDOUS DRIVING SITUATION.**
- It is recommended that these instructions be stored in a safe place and referred to when performing maintenance and/or reinstallation of this product.
- **FAILURE TO FOLLOW THESE SAFETY PRECAUTIONS AND INSTRUCTIONS COULD RESULT IN DAMAGE TO THE PRODUCT OR VEHICLE AND/OR SERIOUS INJURY TO YOU AND YOUR PASSENGERS!**

**ACTIVATION OF THIS
 SIREN MAY DAMAGE
 UNPROTECTED EARS!**



**Wear
 Protection!**

CAUTION

Loud siren noise can cause hearing damage and/or loss. Refer to OSHA Section 1910.95 prior to putting ANY siren into service!

For warranty information regarding this product, visit www.whelen.com/warranty

Table of Contents

Specifications	page 3
Installation	
Amp/Relay Module	page 4
Control Head (Bail Strap Mount)	page 4
Control Head (Console Mount).....	page 4
Microphone.....	page 4
Wiring	
System Power	page 5
50 Amp Inputs	page 5
Outlets	page 5
Siren Speaker.....	page 5
Radio Rebroadcast.....	page 5
Backlighting	page 5
Programmable Inputs	page 5
Park-Kill	page 5
Hands-Free Siren	page 5
Control Head Cable	page 5
Amp/Relay Module Fuses	page 6
Isolated Relay (Outlet 8).....	page 6
Push-Button and Slide Switch Descriptions	page 6
Adjustments	
Public Address (PA) Volume Adjustment.....	page 6
Radio Repeat Volume Adjustment	page 6

Illustrations

Bail Strap Mounting	page 4
Hands-Free Transfer Relay	page 5
Control Head Cable Strain Relief.....	page 5
Amp/Relay Module Fusing Information.....	page 6
Isolated Relay (Outlet 8)	page 6
Control Head	page 6
Wire Gage Chart.....	page 7
System Wiring	page 8
Amp/Relay Module Input/Output Wiring Identification	page 9
Configuration Record.....	page 10

Specifications

General

Input Voltage	12.8 VDC \pm 20%
	Negative Ground Only
Main Input Current	16 Amps Max.
Main Input Fuse	20 Amps
Stand-by Current (backlight off)	65mA (typ)
Operating Temperature	-30°C to +60°C
Storage Temperature	-40°C to +70°C
Humidity	99% (Non-condensing)

Amp/Relay Module

Wail	725 to 1600 Hz (12 cycles/min.)
Yelp	725 to 1600 Hz (180 cycles/min.)
Piercer™	725 to 1600 Hz (800 cycles/min.)
Hi/Low	550 & 650 Hz (60 cycles/min.)
Airhorn	Composite (Constant)
Audio Bandwidth @25 Watts	300 to 10000 Hz \pm 3db
Distortion @25Watts	1% Maximum
Output Voltage @15VDC @11 ohms	24Vrms Maximum
Speaker Impedance	5.5 Ohms Minimum

Outlet Current

Outlet #1	40 Amps Max. (fused)
Outlet #2	20 Amps Max. (fused)
Outlet #3	20 Amps Max. (fused)

NOTE: Total current of Outlets 1, 2 & 3 not to exceed 50 Amps

Outlet #4	10 Amps Max. (internally limited)
Outlet #5	10 Amps Max. (internally limited)
Outlet #6	10 Amps Max. (internally limited)
Outlet #7	10 Amps Max. (internally limited)
Outlet #8	10 Amps Max. (fused)

NOTE: Total current of Outlets 4, 5, 6, 7 & 8 not to exceed 50 Amps

Dimensions (Amp/Relay Module)

Height	3.00 inches
Width	8.22 inches
Depth	6.74 inches

Dimensions (Control Head)

Height	3.58 inches
Width	6.85 inches
Depth	1.32 inches

Installation

Amp/Relay Module

1. Locate a suitable mounting location. A dry, cool compartment is a good choice.
2. Position the Amp/Relay module on the proposed mounting location. Using an awl or similar tool, scribe the mounting surface where the mounting holes are to be drilled. Make sure that this mounting area allows sufficient ventilation for the Amp/Relay module's air vents and fans.

Caution: As mounting the Amp/Relay module will require drilling, it is absolutely necessary to make sure that no other vehicle components could be damaged in the process. Check both sides of the mounting surface before starting. If damage is likely, select a different mounting location.

3. Remove the module from its mounting area, and using a drill bit sized for a #10 sheet metal screw, drill a hole in each of the areas scribed in the previous step.
4. Return the module to its mounting location and using #10 x 3/4" sheet metal screws (provided), secure the module onto its mounting surface. Be sure to install a #10 internal tooth lock washer (included) onto each mounting screw before mounting the unit. **IMPORTANT:** The amp/relay module case must be either mounted on, or grounded to the vehicle chassis.

Control Head

The CenCom™ control head features 18 push-buttons with active illumination, a 4 position slide-switch (off, 1, 2 & 3) and a Traffic Advisor display that enables the operator to view a representation of the pattern being displayed. There are two basic mounting brackets for the CenCom control head. One allows the control head to be mounted into your vehicle's console (if so equipped). The other allows the control head to be mounted directly onto the dash or other surface through the use of a bail strap mounting bracket. **Regardless of the style selected, be sure to observe the air bag warning on the cover of this manual.**

Bail Strap Mount

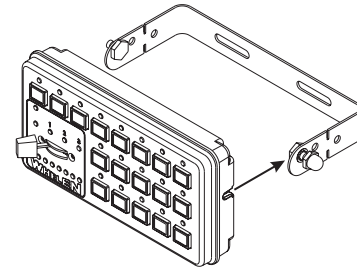
1. Position the bail strap in the selected mounting location. Using an awl or other suitable tool, scribe the surface where the mounting holes are to be drilled.

Caution: As mounting the control head will require drilling, it is absolutely necessary to make sure that no other vehicle components could be damaged in the process. Check both sides of the mounting surface before starting. If damage is likely, select a different mounting location.

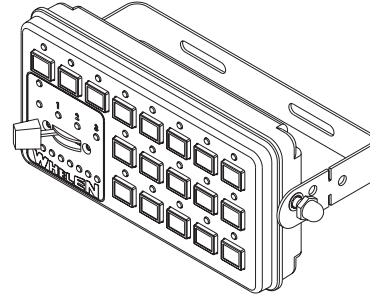
2. Drill the mounting holes in the areas scribed in step 1. The size of the drill bit should be determined by the size of the mounting hardware (#10 sheet metal screw) and thickness of the mounting surface.
3. Using hardware provided (#10 x 3/4" sheet metal screw & #10 internal tooth lockwasher), secure the bail strap to the mounting location.

Note: There are 3 sets of holes on the bail strap for positioning the control head at 3 different heights.

4. With the bail strap in place, insert the #10 x 3/8" hex head bolt into the assembly hole from the inner side of the bail strap as shown.



5. Place the #10 internal-tooth lock washer and the acorn nut on the protruding bolt on the outer side of the bail strap. Loosely secure the acorn nut to the hex head bolt.



Now slide the control head onto the bolt heads. Once it is in the position that the customer has chosen, and the control head has fully engaged the bolt heads, tighten the acorn nuts until the unit is firmly secured.

A third pair of mounting holes are provided that will enable the control head to be located much closer to the bail strap than the other pairs allow. If this closer location is used, the tips of the bail bracket may be broken off at the notches shown.

Havis Console Mount

The Havis Console mounting kit includes all the necessary hardware needed to secure the control head to the mounting bracket for installation on a Havis Console. The control head mounts onto the console mount bracket the same way the control head mounts onto the bail bracket as outlined previously except for the addition of a flat washer that must be inserted between the control head and the bracket. Please refer to the manual included with your console for specific information on securing the control head/mounting bracket assembly onto the console.

For installation into consoles by other manufacturers, a control head bracket designed for your console must be obtained from the console manufacturer.

Microphone

A 1/4" port is provided on the front of the Amp/Relay module for installation of the microphone. After plugging the microphone cord into the microphone port, secure the cord using the cable clamp and #8 x 3/8" machine screw (included with microphone kit). See the CenCom™ System Wiring illustration for visual reference.

If the optional 20' extension cord is used, install this cord as outlined above. Install the mic plug bracket (included with kit) in the desired area using #8 x 1/2" hardware (included). Route the cord to the plug bracket, install the cable end thru the bracket hole and fasten using the hex nut provided. Secure the cord to the bracket using the cable clamp, #8 x 3/8" machine screw and lock washer.

Wiring

WARNING! All customer supplied wires that connect to the positive terminal of the battery must be sized to supply at least 125% of the maximum operating current and FUSED at the battery to carry that load. DO NOT USE CIRCUIT BREAKERS WITH THIS PRODUCT! (see wire chart on page 7).

NOTE: Item numbers reference the illustration found on page 9.

IMPORTANT! Wires connecting to the Amp/Relay Module have the proper terminals pre-installed. If the customer needs to reterminate these wires for any reason, the proper tool MUST be used to insure proper crimping. Use the AMP Pro Crimper II (P/N# 354940-1) with die #90572-2 for items 6-26 and die #58495-2 for items 30-50 (see page 9). **WHELEN DOES NOT RECOMMEND RETERMINATING ANY OF THE ANDERSON™ CONNECTORS (items 1 thru 5 and 27 & 28 on page 9).**

System Power (Items 27-28)

1. Locate the RED & BLACK Anderson-style connector and wires (included) sized to fit into the system power connectors (items 27 & 28).
2. **Example #1** - Route the RED 12 gage wire (included) from the amp/relay module to an unused, ignition-controlled circuit fused @ 20 Amps (the fuse panel, for example). Do not connect to this circuit yet.

Example #2 - Route the RED 12 gage wire (included) from the amp/relay module to an ignition-controlled circuit rated for a 20 Amp load. Fuse this wire with a 20 Amp fuse (customer supplied). **This fuse must be located within 2 wire feet of the connection to this circuit.** Do not connect to this circuit yet.

3. Route the BLACK 12 gage wire (included) from the amp/relay module to the vehicle's chassis ground typically adjacent to the battery.
4. Complete the connections and plug the connectors into the Amp/Relay Module.

50 Amp Inputs (Items 1 & 2)

1. Extend two (2), RED, 8 gage wires (customer supplied) from the amp/relay module to the POSITIVE terminal of the vehicle battery. Fuse **each** of these wires with a 50 Amp fuse (customer supplied). **These fuses must be located within 2 wire feet of the connection to the battery.** Do not install the fuses yet.
2. Locate the RED Anderson-style connector pigtailed sized to fit into the 50 Amp input connector ports (page 9, items 1 & 2).
3. Using appropriately sized butt splices, connect the RED wires to the RED pigtail connectors. Insert these connectors into their designated ports.

Outlets

CenCom™ offers the following outlets: (1) 40 amp, (2) 20 amp, (5) 10 amp and (4) 0.25 amp. See page 9 for more information.

Siren Speaker (Items 52-54)

1. Route the ORANGE and BROWN 14 gage wire (included) from the amp/relay module to the siren speaker.
2. Connect ORANGE wire to the WHITE speaker wire (speaker high).
3. Connect BROWN wire to BLACK speaker wire (speaker low).

NOTE: For dual speaker installation, connect the second speakers wires to the same destinations as the first speakers wires (see page 8).

Radio Rebroadcast (Items 40 & 41)

Two (2) WHT/BLU wires are used to connect your two-way radio's external speaker for radio rebroadcast. This is an optional connection and will not effect the other operations.

Note: Radio rebroadcast will NOT work with amplified remote speakers! If your remote speaker is amplified (i.e.: contains a power amp circuit in the speaker assembly), do not enable the radio rebroadcast feature.

1. Locate the two wires that connect the external speaker to the two-way radio, cut one of them and splice one of the WHT/BLU wires into this circuit.
2. Cut the remaining speaker wire and splice the remaining WHT/BLU wire into this circuit.

Backlighting (Item 39)

1. Route the BLK/WHT wire (included) from the amp/relay module to the vehicle's marker light circuit.
2. Splice this wire into this circuit to enable the control head backlighting to be active whenever the vehicle's marker light is active.

Programmable Inputs

There are 4 programmable inputs in the CenCom system. The output signal line from devices such as a K-9 temperature sensor may be connected to these inputs. Two of these inputs (items 32 & 33) are designated for use when the Park-Kill or Hands-Free system options are used (see below).

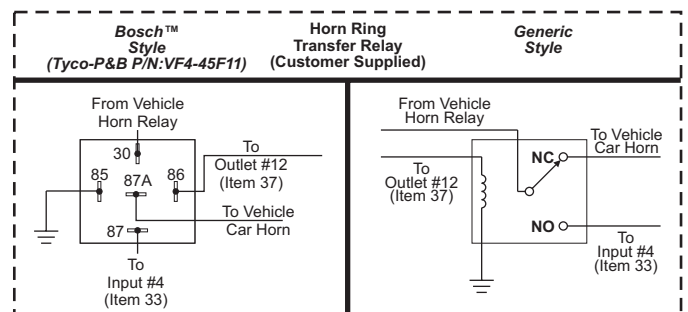
Park-Kill (Optional) (Item 32)

CAUTION! Always consult your vehicle's technical manual before altering your vehicle's wiring. Wiring modifications may compromise your vehicle's safety and/or performance. Use of the Park-Kill option may require the installation of the Whelen WPKM1 Park-Kill module. Consult your vehicle's technical manual before using this feature.

Using 22 gage wire, extend and connect the WHT/ORN wire from the amp/relay module to the vehicle's transmission neutral safety switch signal wire. *NOTE:* For programming purposes, it is necessary to know whether this signal wire is switching the positive or negative side of the circuit.

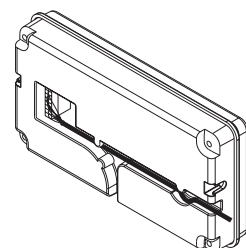
Hands-Free Siren (Items 33 & 37) (Optional)

1. Using a customer supplied relay capable of handling the current of your vehicle horn, connect as shown below.



Control Head

1. Route the control head cable (provided) from the amp/relay module to the designated mounting location. Plug this cable securely into the rear of the control head. Be sure to route the cable through either of the two recessed pathways (shown here). This will prevent the cable from being accidentally disconnected or pinched by the control head.



PA Volume Adjustment

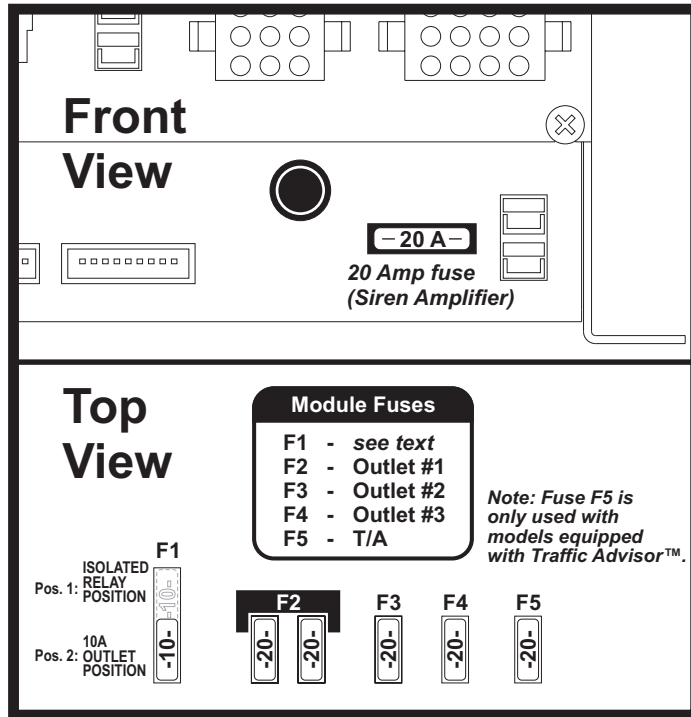
Locate the PA adjustment potentiometer on the left side of the amp/relay module. Using a small, flat-blade screwdriver, set the potentiometer to its middle position. With the CenCom™ system on, activate the PTT (Push To Talk) feature on the optional microphone. Adjust the potentiometer until a satisfactory PA volume level is achieved using a normal speaking voice.

Radio Repeat Volume Adjustment

The Radio Repeat volume level is controlled with the two-way radio's volume control. To test the volume level, activate the CenCom™ system and press the radio (Rad) button on the control head. As incoming transmissions are received, use the two-way radio's volume control to adjust the radio repeat output levels.

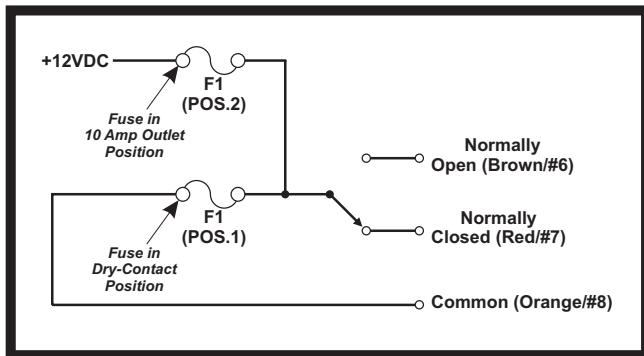
Amp/Relay Module Fuses

For ease of access, all of the amp/relay module fuses are accessible from outside the case.

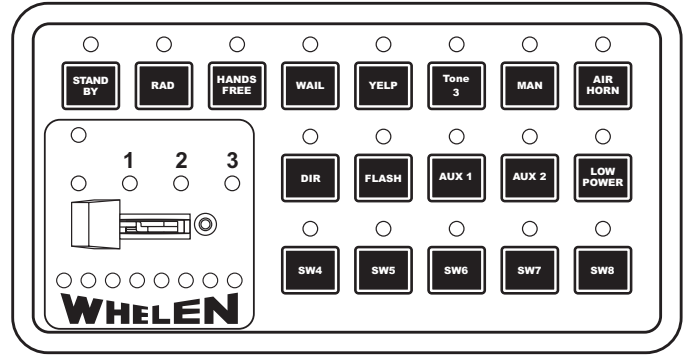


Isolated Relay (Outlet 8)

The position of Fuse F1 determines the function of the Brown, Red and Orange wires. When the fuse is in Position 1, these wires act as an Isolated 10 Amp Relay. When the fuse is in Position 2, the Brown and Red wires act as Outlet #8. Refer to the schematic shown for the electronic properties of this circuit.



Push-Button and Slide Switch Descriptions



Labels shown for reference only. Do not install labels until all functions have been assigned and wired.

Standby (STBY) - This button clears all siren operations and forces the siren off. This button is always enabled and its function cannot be changed.

Radio Repeat (RAD) - This button will rebroadcast your radio output through the siren speaker. This button is enabled by default. It can be disabled if the Radio Repeat function is not required.

Hands-Free (HF) - This button will put the siren into Hands-Free mode. This is similar to the Standby mode except that the Horn Ring (or MAN button) can activate the siren and then cycle through the H/F buffer. To deactivate the siren, press STBY. This button is enabled by default. It can be disabled if the Hands-Free function is not required.

Wail - This button will broadcast the Wail tone. The tone can be silenced by pressing the WAIL button a second time or by pressing the STBY button. This button is enabled by default. It can be disabled if the function is not required.

Yelp - This button will broadcast the Yelp tone. The tone can be silenced by pressing the YELP button a second time or by pressing the STBY button. This button is enabled by default. It can be disabled if the function is not required.

Tone 3 (T3) - This button will broadcast either the Piercer™ or Hi/Low tone. The tone can be silenced by pressing the T3 button a second time or by pressing the STBY button. This button is enabled by default. It can be disabled if the function is not required.

Manual (MAN) - This button has several functions. If the siren is inactive, the Manual button starts the "Siren Inactive Tone." If Wail, Yelp or T3 are active, then Manual can initiate the "Override" mode. In Hands-Free mode, the Manual button can toggle through the buffered H/F tones. The user must configure the following:

Cycle Hands-Free - If this configuration option was selected, pressing the MAN button while the system is in Hands-Free mode will generate a WAIL tone. A second press will change that tone to YELP. A third press will change that tone to T3. A subsequent press will cause the cycle to repeat beginning with WAIL.

Siren Inactive Tone - This is the tone that will be generated when the MAN button is pressed while no other tone is active. Select either **Airhorn, Ramp Stop or Ramp Coast (default)**.

T3 Override Tone - This is the tone that will override T3 when the MAN button is pressed. Select either **Airhorn, Ramp Stop or Ramp Coast (default)**.

Wail-Yelp-T3 Override Mode - This will configure the mode in which the MAN button will function. Select either **None**, **Toggle Override (default)**, **8 sec. Override** or **Momentary**.

NOTE: Yelp always overrides the Wail tone, T3 always overrides the Yelp tone and the T3 override tone selected in the previous paragraph overrides the T3 tone.

Air Horn (AH) - This button will broadcast the Airhorn tone as long as the button is pressed, overriding other siren tones. This button is enabled by default. It can be disabled if the function is not required.

Direction (DIR) - This button operates the optional Traffic Advisor™. The button will sequence through the LEFT, RIGHT, SPLIT and OFF states. Activating this button will automatically turn off the FLASH button. NOTE: This button is disabled if no T/A is configured as present.

Flash - This button operates the optional Traffic Advisor. The button will sequence through three available flash patterns and "OFF". Activating this button will automatically turn off the DIR button. NOTE: This button is disabled if no T/A is configured as present.

Aux 1 -The AUX1 button can operate one or more of the low current outputs (Outlets 9-12). This button can be enabled or disabled. This button can be configured to do the following:

Activate **Outlet 9 (default)**, **Outlet 10**, **Outlet 11** or **Outlet 12**.

Behave as **Momentary (default)**, **ON/OFF**, **8 Sec. Timer** or **Security Timer (double-press to activate)**.

Aux 2 -The AUX2 button can operate one or more of the Low Current outputs (Outlets 9-12). This button can be enabled or disabled. This button can be configured to do the following:

Activate **Outlet 9**, **Outlet 10**, **Outlet 11** or **Outlet 12 (default)**.

Behave as **Momentary (default)**, **ON/OFF**, **8 Sec. Timer** or **Security Timer (double-press to activate)**.

Low Power (LP) - The LP button can operate one or more of the low current outputs (Outlets 9-12). In addition, activating this button will put the Traffic Advisor (optional) into low power mode. This button can be configured to do the following:

Activate (in low power) **Outlet 9**, **Outlet 10**, **Outlet 11** or **Outlet 12 (default)**.

Button 4 - This button controls Outlet 4 and can be enabled or disabled. This button can be configured to be:

A **Momentary**, **ON/OFF (default)**, **8 Sec. Timer** or **Security Timer** switch.

Button 5 - This button controls Outlet 5 and can be enabled or disabled. This button can be configured to be:

A **Momentary**, **ON/OFF (default)**, **8 Sec. Timer** or **Security Timer** switch.

Button 6 - This button controls Outlet 6 and can be enabled or disabled. This button can be configured to be:

A **Momentary**, **ON/OFF (default)**, **8 Sec. Timer** or **Security Timer** switch.

Button 7 - This button controls Outlet 7 and can be enabled or disabled. This button can be configured to be:

A **Momentary**, **ON/OFF (default)**, **8 Sec. Timer** or **Security Timer** switch.

Button 8 - This button controls Outlet 8 (Dry Contact Relay) and can be enabled or disabled. This button can be configured to be:

A **Momentary**, **ON/OFF (default)**, **8 Sec. Timer** or **Security Timer** switch.

Wire Gauge Calculation Chart

Maximum Current Draw Through The Wire

Wire Gauge	5 Amps	10 Amps	15 Amps	20 Amps	25 Amps	30 Amps	35 Amps	40 Amps	45 Amps	50 Amps
	22 AWG	6 Feet	3 Feet	Insufficient	Insufficient	Insufficient	Insufficient	Insufficient	Insufficient	Insufficient
20 AWG	9.5 Feet	5 Feet	3 Feet	Insufficient	Insufficient	Insufficient	Insufficient	Insufficient	Insufficient	Insufficient
18 AWG	15 Feet	7.5 Feet	5 Feet	4 Feet	3 Feet	Insufficient	Insufficient	Insufficient	Insufficient	Insufficient
16 AWG	24.5 Feet	12 Feet	8 Feet	6 Feet	5 Feet	4 Feet	3.5 Feet	3 Feet	Insufficient	Insufficient
14 AWG	39 Feet	19.5 Feet	13 Feet	9.5 Feet	8 Feet	6.5 Feet	5.5 Feet	5 Feet	4.5 Feet	4 Feet
12 AWG	62 Feet	31 Feet	20.5 Feet	15.5 Feet	12.5 Feet	10.5 Feet	9 Feet	7.5 Feet	7 Feet	6 Feet
10 AWG	98 Feet	49 Feet	32.5 Feet	24.5 Feet	19.5 Feet	16.5 Feet	14 Feet	12.5 Feet	11 Feet	10 Feet
8 AWG	156 Feet	78 Feet	52 Feet	39 Feet	31 Feet	26 Feet	22.5 Feet	19.5 Feet	17.5 Feet	15.5 Feet
6 AWG	248.5 Feet	124 Feet	82.5 Feet	62 Feet	49.5 Feet	41.5 Feet	35.5 Feet	31 Feet	27.5 Feet	25 Feet
4 AWG	395 Feet	197.5 Feet	131 Feet	98.5 Feet	79 Feet	66 Feet	56.5 Feet	49.5 Feet	44 Feet	39.5 Feet
2 AWG	629 Feet	314 Feet	209 Feet	157 Feet	125.5 Feet	104.5 Feet	89.5 Feet	78.5 Feet	69.5 Feet	63 Feet

Maximum Current Draw Through The Wire

Wire Gauge	55 Amps	60 Amps	65 Amps	70 Amps	75 Amps	80 Amps	85 Amps	90 Amps	95 Amps	100 Amps
	22 AWG	Insufficient	Insufficient	Insufficient	Insufficient	Insufficient	Insufficient	Insufficient	Insufficient	Insufficient
20 AWG	Insufficient	Insufficient	Insufficient	Insufficient	Insufficient	Insufficient	Insufficient	Insufficient	Insufficient	Insufficient
18 AWG	Insufficient	Insufficient	Insufficient	Insufficient	Insufficient	Insufficient	Insufficient	Insufficient	Insufficient	Insufficient
16 AWG	Insufficient	Insufficient	Insufficient	Insufficient	Insufficient	Insufficient	Insufficient	Insufficient	Insufficient	Insufficient
14 AWG	3.5 Feet	3 Feet	3 Feet	3 Feet	Insufficient	Insufficient	Insufficient	Insufficient	Insufficient	Insufficient
12 AWG	5.5 Feet	5 Feet	5 Feet	4.5 Feet	4 Feet	4 Feet	3.5 Feet	3.5 Feet	3.5 Feet	3 Feet
10 AWG	9 Feet	8 Feet	7.5 Feet	7 Feet	6.5 Feet	6 Feet	6 Feet	5.5 Feet	5 Feet	5 Feet
8 AWG	14 Feet	13 Feet	12 Feet	11 Feet	10.5 Feet	10 Feet	9 Feet	8.5 Feet	8 Feet	8 Feet
6 AWG	22.5 Feet	20.5 Feet	19 Feet	17.5 Feet	16.5 Feet	15.5 Feet	14.5 Feet	14 Feet	13 Feet	12.5 Feet
4 AWG	36 Feet	33 Feet	30.5 Feet	28 Feet	26.5 Feet	24.5 Feet	23 Feet	22 Feet	21 Feet	19.5 Feet
2 AWG	57 Feet	52.5 Feet	48.5 Feet	45 Feet	42 Feet	39 Feet	37 Feet	35 Feet	33 Feet	31.5 Feet

CenCom™ System Wiring Guide

1. (BRN) - Isolated Relay (Normally Open) / 10 Amp Max. } **Outlet #8**
 2. (RED) - Isolated Relay (Normally Closed) / 10 Amp Max. } (see text)
 3. (ORN) - Isolated Relay (Common) / 10 Amp Max.
 4. NOT USED
 5. (GRN) - Outlet #7 (10 Amp Max.)
 6. (BLU) - Outlet #6 (10 Amp Max.)
 7. (VIO) - Outlet #5 (10 Amp Max.)
 8. (GRY) - Outlet #4 (10 Amp Max.)
 9. NOT USED

14 AWG

CONTROL HEAD

- (BRN) - T/A Lamp #1
- (RED) - T/A Lamp #2
- (ORN) - T/A Lamp #3
- (YEL) - T/A Lamp #4
- (GRN) - T/A Lamp #5
- (BLU) - T/A Lamp #6
- (VIO) - T/A Lamp #7
- (GRY) - T/A Lamp #8
- (WHT) - + Lamp Voltage (Common)
- NOT USED
- NOT USED
- NOT USED

(Optional)

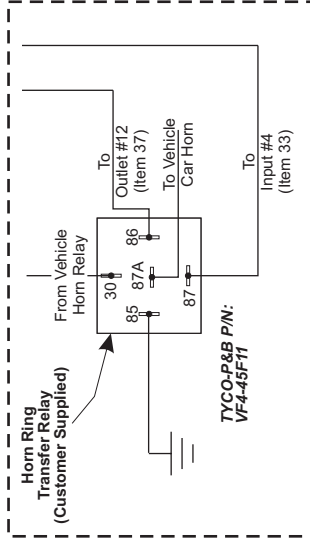
8 AWG Outlet #1 (40 Amp)

12 AWG Outlet #2 (20 Amp)

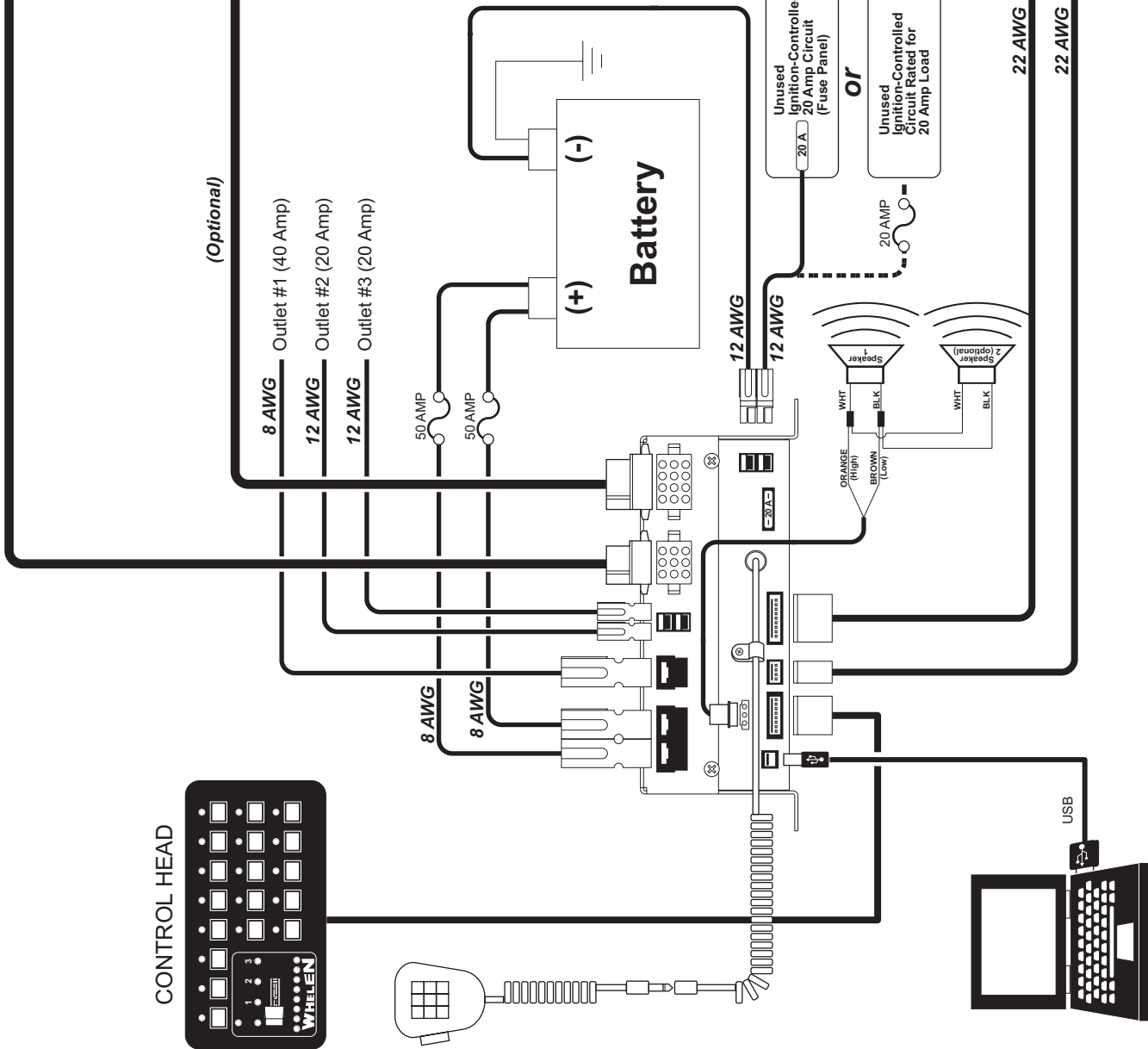
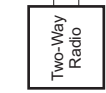
12 AWG Outlet #3 (20 Amp)

- (WHT/BRN) - Programmable Input #1
- (WHT/RED) - Programmable Input #2
- (WHT/ORN) - Programmable Input #3
- (WHT/YEL) - Programmable Input #4 (Horn In)
- (BRN) - Outlet #9 (Low Current / 250 mA Max.)
- (RED) - Outlet #10 (Low Current / 250 mA Max.)
- (ORN) - Outlet #11 (Low Current / 250 mA Max.)
- (YEL) - Outlet #12 (Low Current / 250 mA Max.)
- System Activation
- System Activation

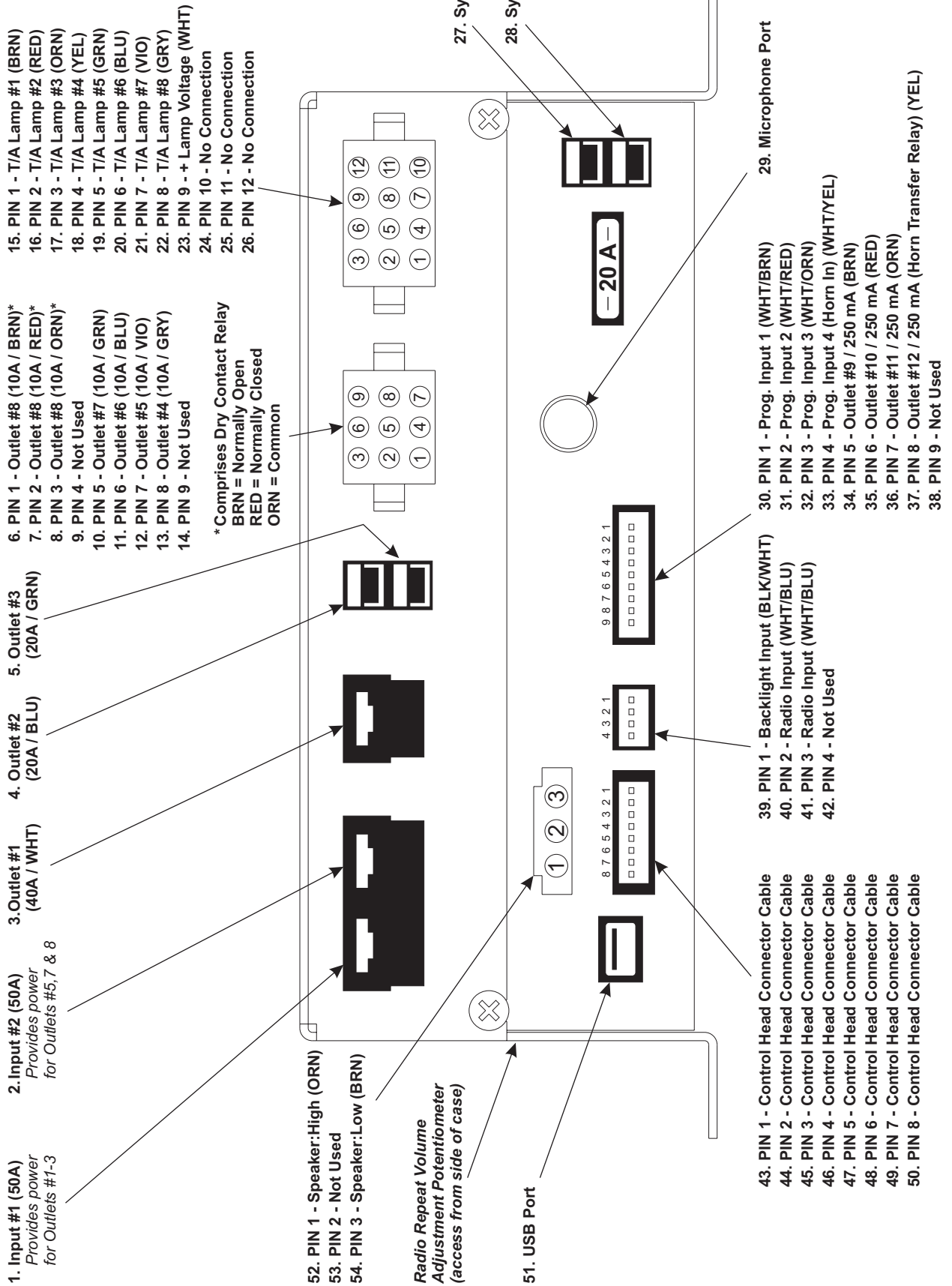
Connect 9 & 10 to a SPST switch (customer supplied) as shown. Note that the system is not active unless this switch is closed.



- (BLK/WHT) - Backlight Input
- (WHT/BLU) - Radio Input
- (WHT/BLU) - Radio Input
- NOT USED

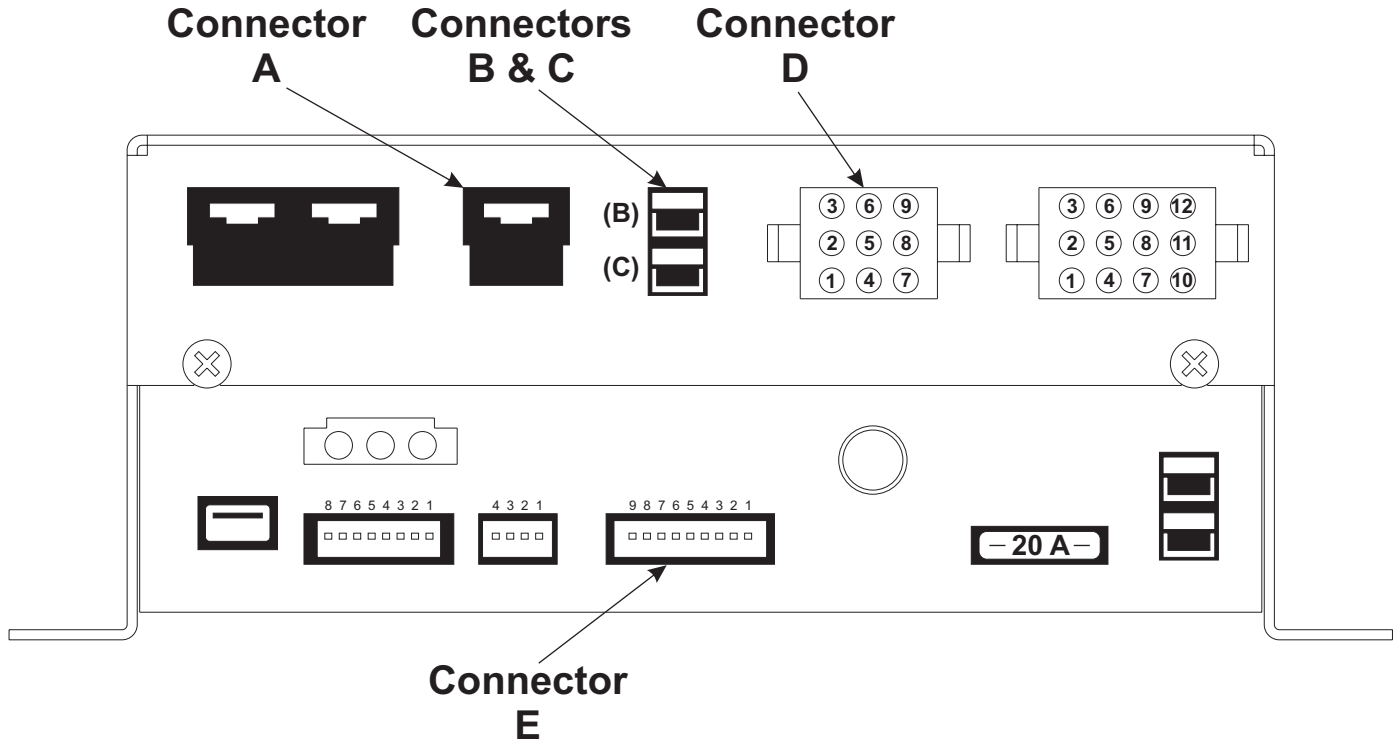


Amp/Relay Module Input/Output Identification



Configuration Record:

For future reference, record the destination of each outlet and programmable input.



Description:

Assigned To:

Connector / Pin

Outlet #1 - 40 Amp (WHT)	_____	Connector A
Outlet #2 - 20 Amp (BLU)	_____	Connector B
Outlet #3 - 20 Amp (GRN)	_____	Connector C
Outlet #4 - 10 Amp (GRY)	_____	Connector D / Pin# 8
Outlet #5 - 10 Amp (VIO)	_____	Connector D / Pin# 7
Outlet #6 - 10 Amp (BLU)	_____	Connector D / Pin# 6
Outlet #7 - 10 Amp (GRN)	_____	Connector D / Pin# 5
Outlet #8 - 10 Amp Isolated Relay:N/O (BRN)	_____	Connector D / Pin# 1
Outlet #8 - 10 Amp Isolated Relay:N/C (RED)	_____	Connector D / Pin# 2
Outlet #8 - 10 Amp Isolated Relay:Common (ORN)	_____	Connector D / Pin# 3
Outlet #9 - 250 mA (BRN)	_____	Connector E / Pin# 5
Outlet #10 - 250 mA (RED)	_____	Connector E / Pin# 6
Outlet #11 - 250 mA (ORN)	_____	Connector E / Pin# 7
Outlet #12 - 250 mA / Horn Relay (YEL)	_____	Connector E / Pin# 8
Programmable Input #1 (WHT/BRN)	_____	Connector E / Pin# 1
Programmable Input #2 (WHT/RED)	_____	Connector E / Pin# 2
Programmable Input #3 / Park Kill (WHT/ORN)	_____	Connector E / Pin# 3
Programmable Input #4 / Horn Ring (WHT/YEL)	_____	Connector E / Pin# 4