

WHELEN[®]

ENGINEERING COMPANY INC.

Route 145, Winthrop Road,

Chester, Connecticut 06412

Phone: (860) 526-9504

Fax: (860) 526-4078

Internet: www.whelen.com

Sales e-mail: autosale@whelen.com

Canadian Sales e-mail: autocan@whelen.com

Customer Service e-mail: custserv@whelen.com

Installation Guide: 700-series Grille Mount Housings Models: GEKT98LP and GEKT98RP (1997 to 2001 Ford "E" Series)

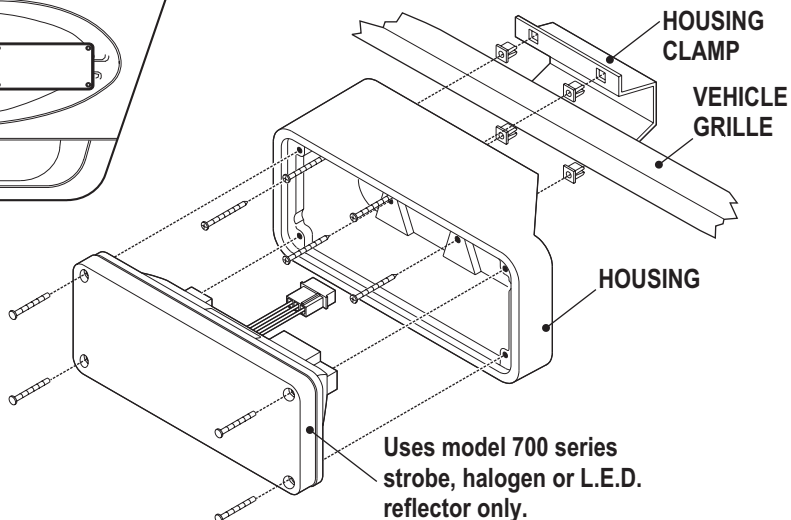
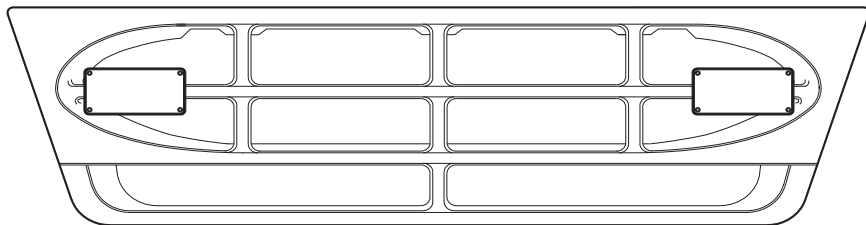
Safety First

This document provides all the necessary information to allow your Whelen product to be properly and safely installed. Before beginning the installation and/or operation of your new product, the installation technician and operator must read this manual completely. Important information is contained herein that could prevent serious injury or damage.

- **Proper installation of this product requires the installer to have a good understanding of automotive electronics, systems and procedures.**
- **If mounting this product requires drilling holes, the installer MUST be sure that no vehicle components or other vital parts could be damaged by the drilling process. Check both sides of the mounting surface before drilling begins. Also de-burr any holes and remove any metal shards or remnants. Install grommets into all wire passage holes.**
- **If this manual states that this product may be mounted with suction cups, magnets, tape or Velcro™, clean the mounting surface with a 50/50 mix of isopropyl alcohol and water and dry thoroughly.**
- **Do not install this product or route any wires in the deployment area of your air bag. Equipment mounted or located in the air bag deployment area will damage or reduce the effectiveness of the air bag, or become a projectile that could cause serious personal injury or death. Refer to your vehicle owners manual for the air bag deployment area. The User/Installer assumes full responsibility to determine proper mounting location, based on providing ultimate safety to all passengers inside the vehicle.**
- **For this product to operate at optimum efficiency, a good electrical connection to chassis ground must be made. The recommended procedure requires the product ground wire to be connected directly to the NEGATIVE (-) battery post.**
- **If this product uses a remote device to activate or control this product, make sure that this control is located in an area that allows both the vehicle and the control to be operated safely in any driving condition.**
- **Do not attempt to activate or control this device in a hazardous driving situation.**
- **This product contains either strobe light(s), halogen light(s), high-intensity LEDs or a combination of these lights. Do not stare directly into these lights. Momentary blindness and/or eye damage could result.**
- **Use only soap and water to clean the outer lens. Use of other chemicals could result in premature lens cracking (crazing) and discoloration. Lenses in this condition have significantly reduced effectiveness and should be replaced immediately. Inspect and operate this product regularly to confirm its proper operation and mounting condition. Do not use a pressure washer to clean this product.**
- **It is recommended that these instructions be stored in a safe place and referred to when performing maintenance and/or reinstallation of this product.**
- **FAILURE TO FOLLOW THESE SAFETY PRECAUTIONS AND INSTRUCTIONS COULD RESULT IN DAMAGE TO THE PRODUCT OR VEHICLE AND/OR SERIOUS INJURY TO YOU AND YOUR PASSENGERS!**

For warranty information regarding this product, visit www.whelen.com/warranty

Vehicle grill shown here with lighthoods installed. Note location of lighthoods.



Installation:

1. Insert the 4 fastex grommets into the clamp as shown.
2. Hold the grille mount housing onto the mounting area of the grille where the lighthouse will go, while at the same time holding the mounting bracket onto the back of the housing.
3. Secure the housing onto the grille using the 4 sheet metal screws supplied.
4. Now you may install your 700 series lighthouse into the grille mount housing as shown.

KIT, LIGHTHEAD HOUSING ASS'Y DRIVERS SIDE MODEL #GEKT98L/LP

QTY	QTY	ITEM	PART NUMBER	DESCRIPTION
-	*	-	01-0462735-00	KIT / DRIVER SIDE LIGHTHEAD HOUSING / AS CAST
*	-	-	01-0462735-01	KIT / DRIVER SIDE LIGHTHEAD HOUSING / POLISHED
1	1	1	01-0416611-00	INSTALLATION KIT
-	1	2	11-462710-000	HOUSING / GRILLE MOUNT / AS CAST
1	-	3	11-462710-011	HOUSING / GRILLE MOUNT / POLISHED

NOTE: The parts drawing shown here shows a driver side housing for reference.

KIT, LIGHTHEAD HOUSING ASS'Y PASSENGER SIDE MODEL #GEKT98R/RP

QTY	QTY	ITEM	PART NUMBER	DESCRIPTION
-	*	-	01-0462736-00	KIT / PASSGR SIDE LIGHTHEAD HOUSING / AS CAST
*	-	-	01-0462736-01	KIT / PASSGR SIDE LIGHTHEAD HOUSING / POLISHED
1	1	1	01-0416611-00	INSTALLATION KIT
-	1	2	11-462711-000	HOUSING / GRILLE MOUNT / AS CAST
1	-	3	11-462711-011	HOUSING / GRILLE MOUNT / POLISHED

