

# WHELEN<sup>®</sup>

ENGINEERING COMPANY INC.

Route 145, Winthrop Road,

Chester, Connecticut 06412

Phone: (860) 526-9504

Fax: (860) 526-4078

Internet: [www.whelen.com](http://www.whelen.com)

Sales e-mail: [autosale@whelen.com](mailto:autosale@whelen.com)

Canadian Sales e-mail: [autocan@whelen.com](mailto:autocan@whelen.com)

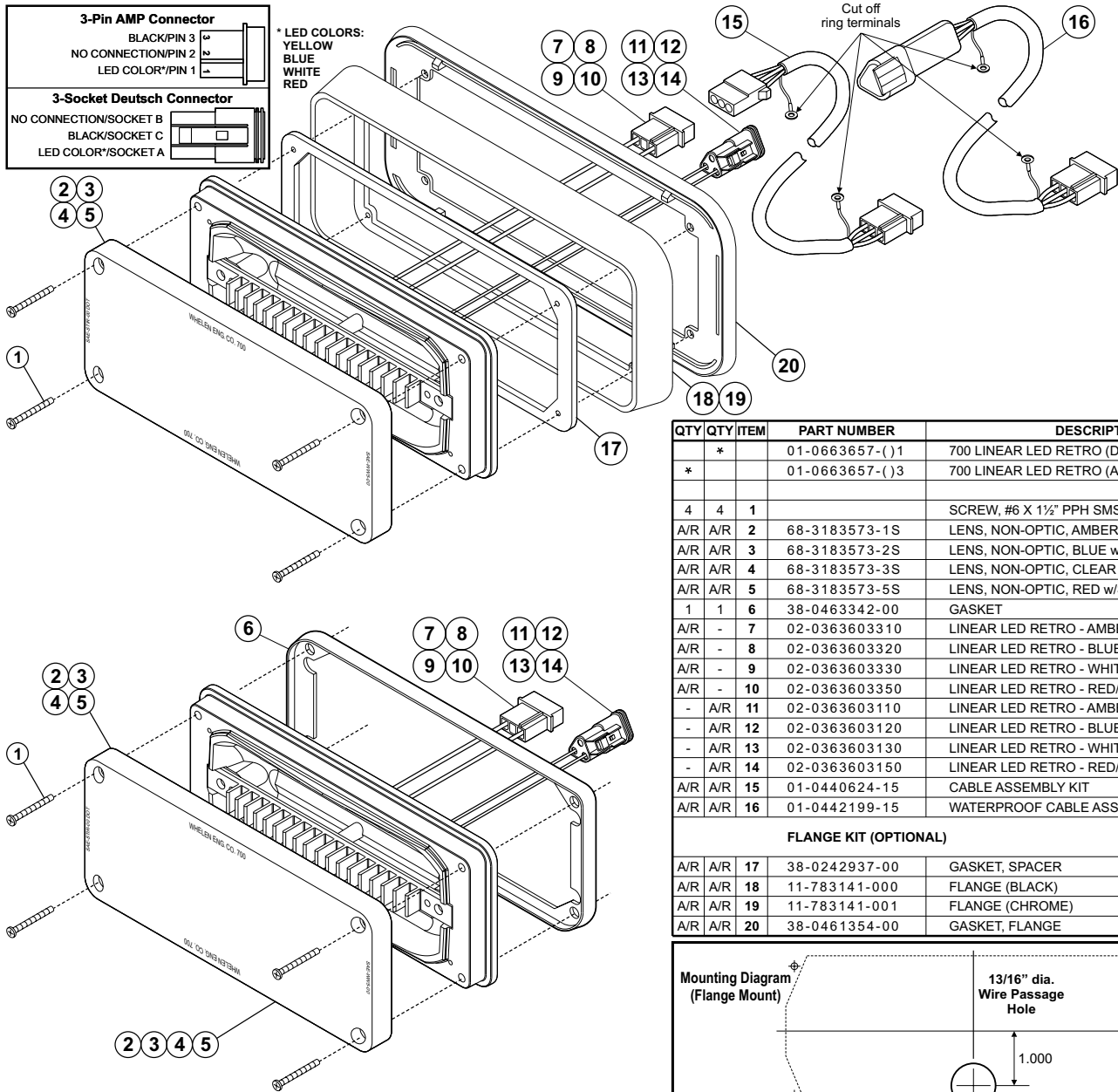
Customer Service e-mail: [custserv@whelen.com](mailto:custserv@whelen.com)

## Installation Guide 700-series Retro LED Lighthouse

### Safety First

This document provides all the necessary information to allow your Whelen product to be properly and safely installed. Before beginning the installation and/or operation of your new product, the installation technician and operator must read this manual completely. Important information is contained herein that could prevent serious injury or damage.

- **Proper installation of this product requires the installer to have a good understanding of automotive electronics, systems and procedures.**
- **If mounting this product requires drilling holes, the installer MUST be sure that no vehicle components or other vital parts could be damaged by the drilling process. Check both sides of the mounting surface before drilling begins. Also de-burr any holes and remove any metal shards or remnants. Install grommets into all wire passage holes.**
- **If this product is mounted with tape or Velcro™, clean the mounting surface with a 50/50 mix of isopropyl alcohol and water and dry thoroughly.**
- **Do not install this product or route any wires in the deployment area of your air bag. Equipment mounted or located in the air bag deployment area will damage or reduce the effectiveness of the air bag, or become a projectile that could cause serious personal injury or death. Refer to your vehicle owners manual for the air bag deployment area. The User/Installer assumes full responsibility to determine proper mounting location, based on providing ultimate safety to all passengers inside the vehicle.**
- **For this product to operate at optimum efficiency, a good electrical connection to chassis ground must be made. The recommended procedure requires the product ground wire to be connected directly to the NEGATIVE (-) battery post.**
- **If this product uses a remote device to activate or control this product, make sure that this control is located in an area that allows both the vehicle and the control to be operated safely in any driving condition.**
- **Do not attempt to activate or control this device in a hazardous driving situation.**
- **This product contains either strobe light(s), halogen light(s), high-intensity LED's or a combination of these lights. Do not stare directly into these lights. Momentary blindness and/or eye damage could result.**
- **Use only soap and water to clean the outer lens. Use of other chemicals could result in premature lens cracking (crazing) and discoloration. Lens' in this condition have significantly reduced effectiveness and should be replaced immediately. Inspect and operate this product regularly to confirm its proper operation and mounting condition. Do not use a pressure washer to clean this product.**
- **It is recommended that these instructions be stored in a safe place and referred to when performing maintenance and/or reinstallation of this product.**
- **FAILURE TO FOLLOW THESE SAFETY PRECAUTIONS AND INSTRUCTIONS COULD RESULT IN DAMAGE TO THE PRODUCT OR VEHICLE AND/OR SERIOUS INJURY TO YOU AND YOUR PASSENGERS!**



QTY	QTY	ITEM	PART NUMBER	DESCRIPTION
*			01-0663657-( )1	700 LINEAR LED RETRO (DEUTSCH)
*			01-0663657-( )3	700 LINEAR LED RETRO (AMP)
4	4	1		SCREW, #6 X 1 1/2" PPH SMS
A/R	A/R	2	68-3183573-1S	LENS, NON-OPTIC, AMBER w/SEAL
A/R	A/R	3	68-3183573-2S	LENS, NON-OPTIC, BLUE w/SEAL
A/R	A/R	4	68-3183573-3S	LENS, NON-OPTIC, CLEAR w/SEAL
A/R	A/R	5	68-3183573-5S	LENS, NON-OPTIC, RED w/SEAL
1	1	6	38-0463342-00	GASKET
A/R	-	7	02-0363603310	LINEAR LED RETRO - AMBER/AMP
A/R	-	8	02-0363603320	LINEAR LED RETRO - BLUE/AMP
A/R	-	9	02-0363603330	LINEAR LED RETRO - WHITE/AMP
A/R	-	10	02-0363603350	LINEAR LED RETRO - RED/AMP
-	A/R	11	02-0363603110	LINEAR LED RETRO - AMBER/DEUTSCH
-	A/R	12	02-0363603120	LINEAR LED RETRO - BLUE/DEUTSCH
-	A/R	13	02-0363603130	LINEAR LED RETRO - WHITE/DEUTSCH
-	A/R	14	02-0363603150	LINEAR LED RETRO - RED/DEUTSCH
A/R	A/R	15	01-0440624-15	CABLE ASSEMBLY KIT
A/R	A/R	16	01-0442199-15	WATERPROOF CABLE ASSEMBLY KIT
<b>FLANGE KIT (OPTIONAL)</b>				
A/R	A/R	17	38-0242937-00	GASKET, SPACER
A/R	A/R	18	11-783141-000	FLANGE (BLACK)
A/R	A/R	19	11-783141-001	FLANGE (CHROME)
A/R	A/R	20	38-0461354-00	GASKET, FLANGE

## Installation:

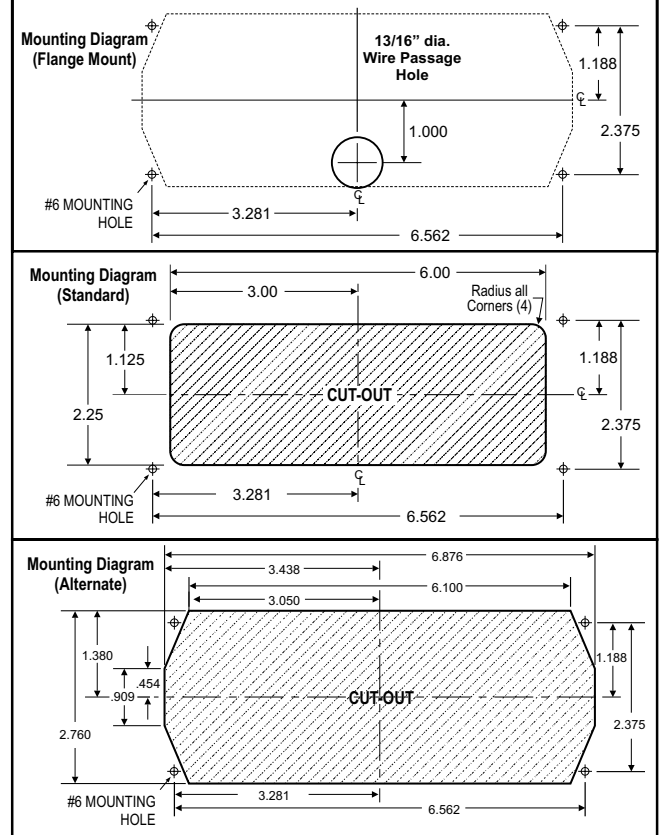
- Using the measurements in the mounting diagrams, mark off all of the mounting holes to be cut or drilled. The mounting diagrams are for reference only and not to scale.
- Drill or cut all the mounting and access holes to the sizes noted in the mounting diagrams.
- Route the cable from the lighthead to the power supply. Do not connect yet.

**WARNING!** All customer supplied wires that connect to the positive terminal of the battery, must be sized to supply at least 125% of the maximum operating current and fused at the battery to carry that load.

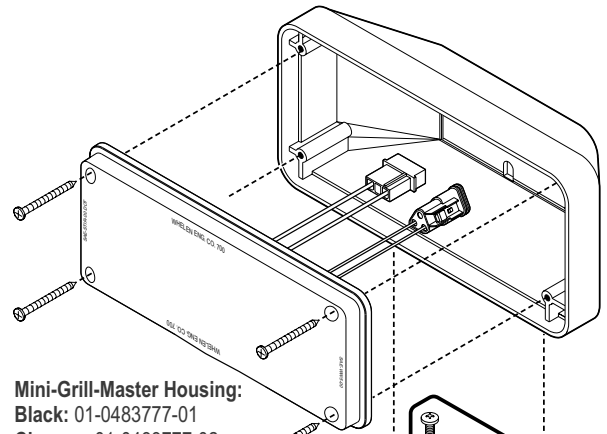
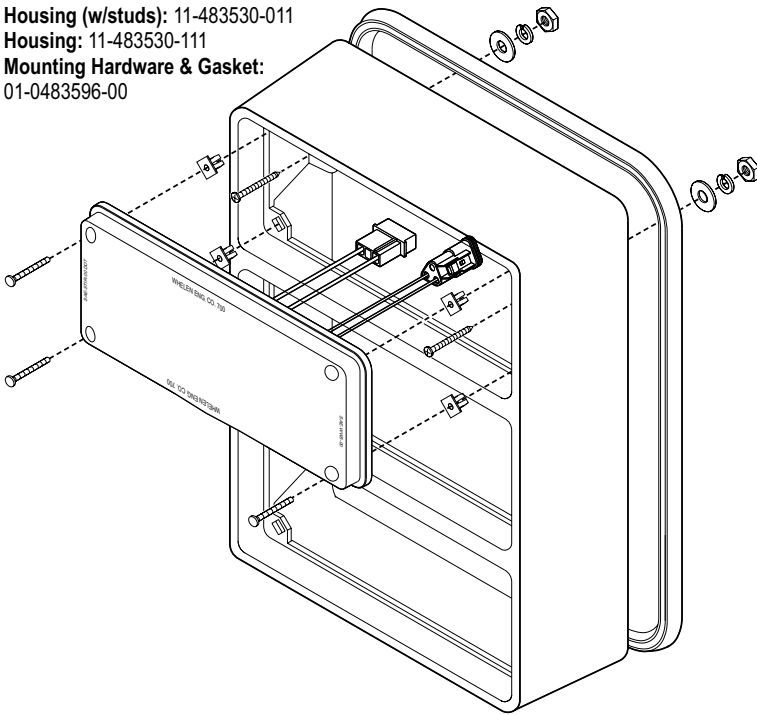
- Attach the lighthead securely to the vehicle using the four phillips sheet metal screws supplied.
- Connect the lighthead to your LED power supply.

**NOTE:** If the standard mounting procedure is used, observe the following:

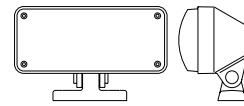
- Radius the corners of the opening (a round file is suggested).
- Remove the lighthead wires from the retention slots securing them to the backside of the lighthead housing.



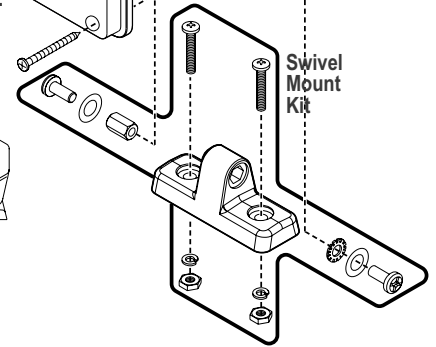
**Housing (w/studs):** 11-483530-011  
**Housing:** 11-483530-111  
**Mounting Hardware & Gasket:**  
 01-0483596-00



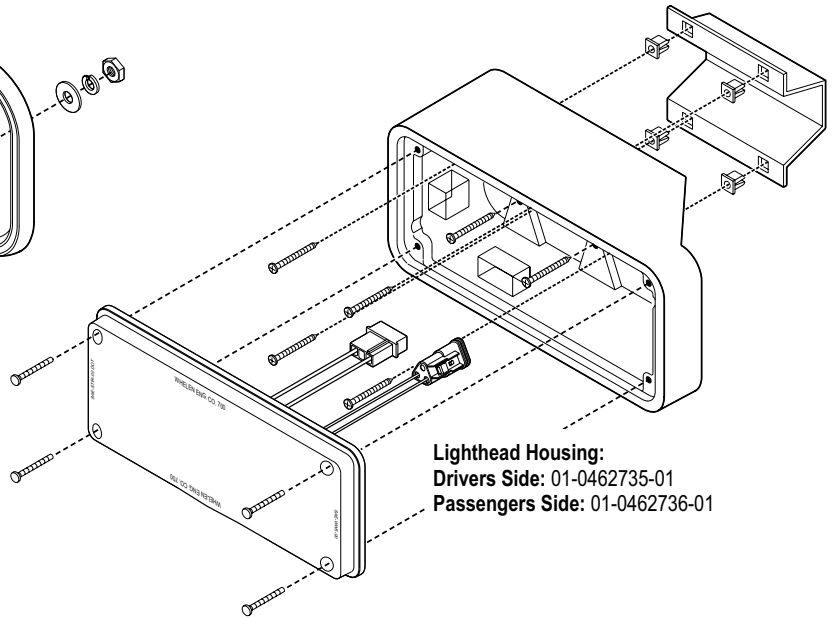
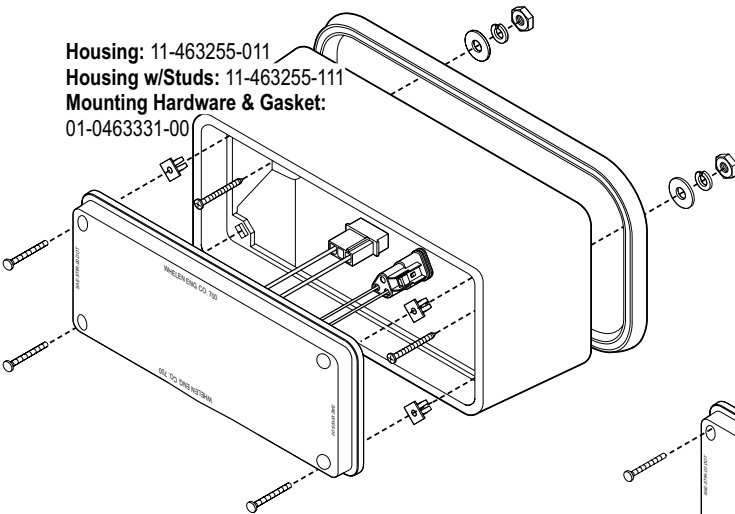
**Mini-Grill-Master Housing:**  
**Black:** 01-0483777-01  
**Chrome:** 01-0483777-02



**Swivel Mount Kit:**  
**Black:** 11-481138-00  
**Chrome:** 01-0441293-00



**Housing:** 11-463255-011  
**Housing w/Studs:** 11-463255-111  
**Mounting Hardware & Gasket:**  
 01-0463331-00



**Lighthouse Housing:**  
**Drivers Side:** 01-0462735-01  
**Passengers Side:** 01-0462736-01