

WHELEN[®]

ENGINEERING COMPANY INC.

Route 145, Winthrop Road,
Chester, Connecticut 06412

Phone: (860) 526-9504

Fax: (860) 526-4078

Internet: www.whelen.com

Sales e-mail: autosale@whelen.com

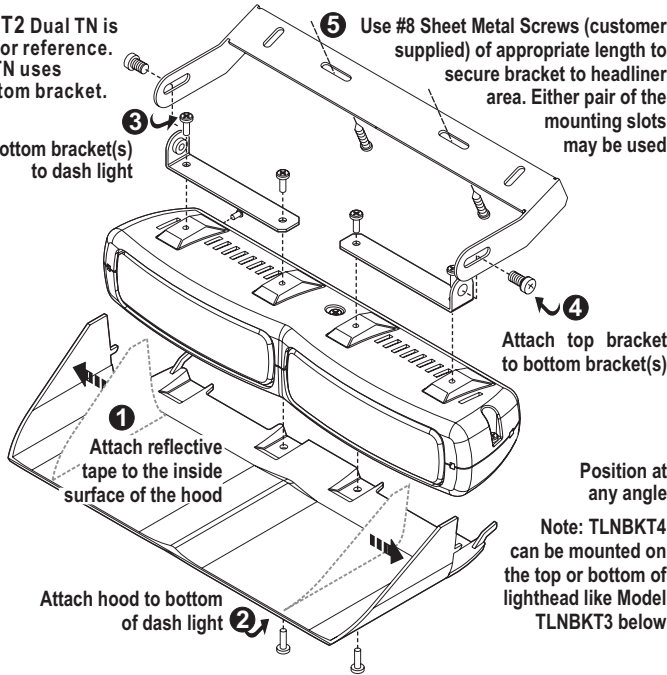
Canadian Sales e-mail: autocan@whelen.com

Customer Service e-mail: custserv@whelen.com

Installation Guide: TN™-series Dash Light Mounting Brackets Models: TLNBKT1, TLNBKT2, TLNBKT3, TLNBKT4 and TLNBKT5

TLNBKT2 Dual TN is shown for reference. Single TN uses one bottom bracket.

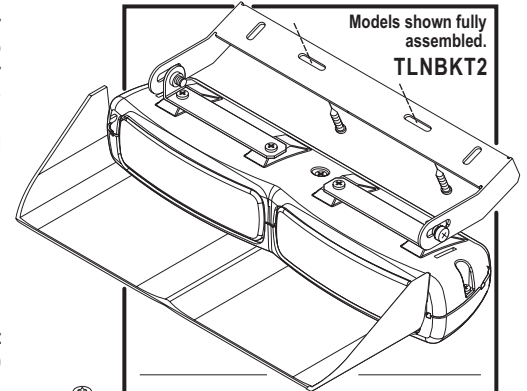
Attach bottom bracket(s) to dash light



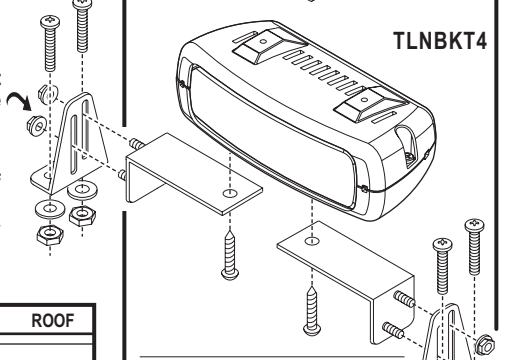
Attach top bracket to bottom bracket(s)

Position at any angle

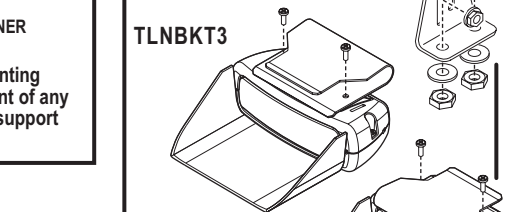
Note: TLNBKT4 can be mounted on the top or bottom of lighthead like Model TLNBKT3 below



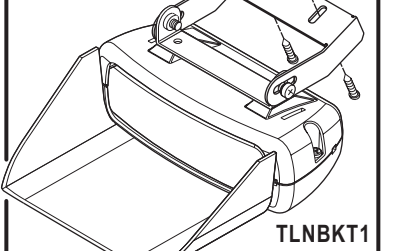
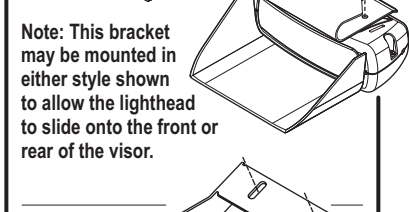
Models shown fully assembled.
TLNBKT2



TLNBKT4



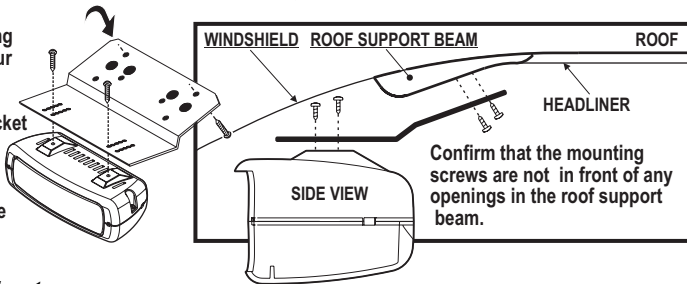
TLNBKT3



TLNBKT1

TLNBKT5 Use the mounting holes that fit your application.

NOTE: This bracket comes with self drilling screws. For these, you will use the large mounting holes.



Safety First

If mounting this product requires drilling holes, the installer MUST be sure that no vehicle components or other vital parts could be damaged by the drilling process. Check both sides of the mounting surface before drilling begins. Also de-burr the holes and remove any metal shards or remnants. Install grommets into all wire passage holes.

Do not install this product or route any wires in the deployment area of your air bag. Equipment mounted or located in the air bag deployment area will damage or reduce the effectiveness of the air bag, or become a projectile that could cause serious personal injury or death. Refer to your vehicle owners manual for the air bag deployment area. The User/Installer assumes full responsibility to determine proper mounting location, based on providing ultimate safety to all passengers inside the vehicle.

FAILURE TO FOLLOW THESE SAFETY PRECAUTIONS AND INSTRUCTIONS COULD RESULT IN DAMAGE TO THE PRODUCT OR VEHICLE AND/OR SERIOUS INJURY TO YOU AND YOUR PASSENGERS! REFER TO THE INSTALLATION GUIDE INCLUDED WITH YOUR TN FOR IMPORTANT SAFETY WARNINGS.