

WHELEN[®]

ENGINEERING COMPANY INC.

51 Winthrop Road
Chester, Connecticut 06412-0684
Phone: (860) 526-9504
Fax: (860) 526-4078
Internet: www.whelen.com
Sales e-mail: autosale@whelen.com
Canadian Sales e-mail: autocan@whelen.com
Customer Service e-mail: custserv@whelen.com

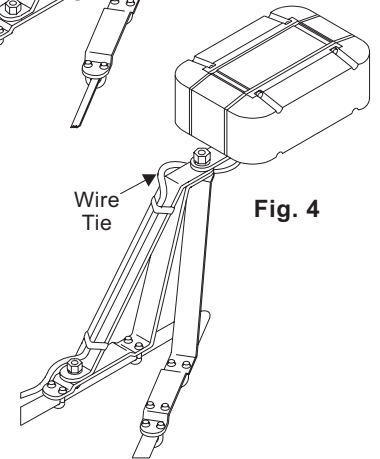
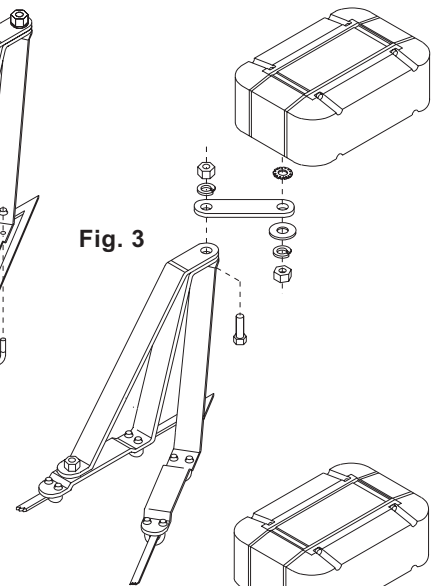
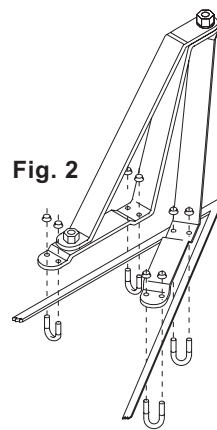
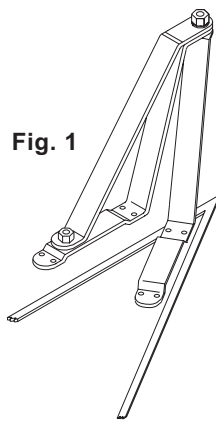
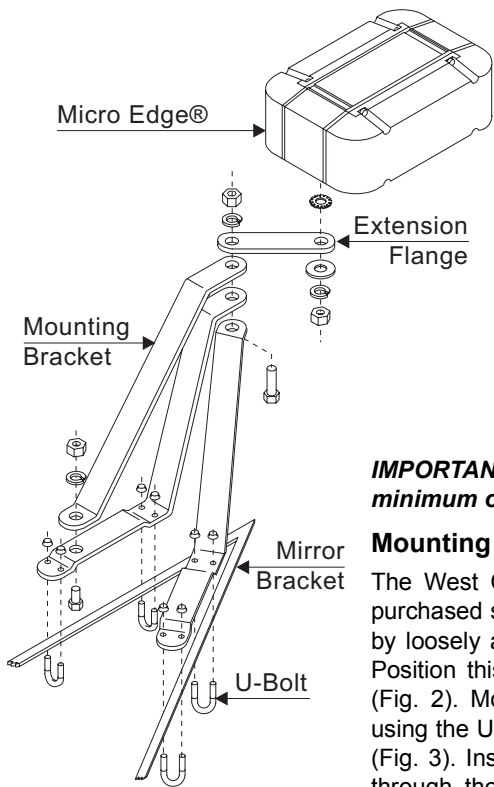
Installation Guide: Micro Edge Freedom[®] Lightbar

Safety First

This document provides all the necessary information to allow your Whelen product to be properly and safely installed. Before beginning the installation and/or operation of your new product, the installation technician and operator must read this manual completely. Important information is contained herein that could prevent serious injury or damage.

- Proper installation of this product requires the installer to have a good understanding of automotive electronics, systems and procedures.
- If mounting this product requires drilling holes, the installer **MUST** be sure that no vehicle components or other vital parts could be damaged by the drilling process. Check both sides of the mounting surface before drilling begins. Also de-burr any holes and remove any metal shards or remnants. Install grommets into all wire passage holes.
- If this manual states that this product may be mounted with suction cups, magnets, tape or Velcro[®], clean the mounting surface with a 50/50 mix of isopropyl alcohol and water and dry thoroughly.
- Do not install this product or route any wires in the deployment area of your air bag. Equipment mounted or located in the air bag deployment area will damage or reduce the effectiveness of the air bag, or become a projectile that could cause serious personal injury or death. Refer to your vehicle owner's manual for the air bag deployment area. The User/Installer assumes full responsibility to determine proper mounting location, based on providing ultimate safety to all passengers inside the vehicle.
- For this product to operate at optimum efficiency, a good electrical connection to chassis ground must be made. The recommended procedure requires the product ground wire to be connected directly to the **NEGATIVE (-)** battery post.
- If this product uses a remote device to activate or control this product, make sure that this control is located in an area that allows both the vehicle and the control to be operated safely in any driving condition.
- Do not attempt to activate or control this device in a hazardous driving situation.
- This product contains either strobe light(s), halogen light(s), high-intensity LEDs or a combination of these lights. Do not stare directly into these lights. Momentary blindness and/or eye damage could result.
- Use only soap and water to clean the outer lens. Use of other chemicals could result in premature lens cracking (crazing) and discoloration. Lenses in this condition have significantly reduced effectiveness and should be replaced immediately. Inspect and operate this product regularly to confirm its proper operation and mounting condition. Do not use a pressure washer to clean this product.
- It is recommended that these instructions be stored in a safe place and referred to when performing maintenance and/or reinstallation of this product.
- **FAILURE TO FOLLOW THESE SAFETY PRECAUTIONS AND INSTRUCTIONS COULD RESULT IN DAMAGE TO THE PRODUCT OR VEHICLE AND/OR SERIOUS INJURY TO YOU AND YOUR PASSENGERS!**

For warranty information regarding this product, visit www.whelen.com/warranty



IMPORTANT! The lightbar should be located a minimum of 16" from any radio antennas!

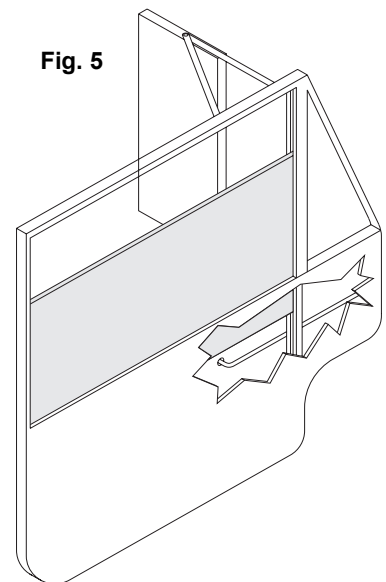
Mounting the Micro Edge®:

The West Coast mirror mount brackets shown are purchased separately. Begin the mounting procedure by loosely assembling the mounting bracket (Fig. 1). Position this partial assembly on the mirror bracket (Fig. 2). Mount the assembly to the mirror bracket using the U-Bolt hardware supplied with the brackets (Fig. 3). Insert the mounting bolt on the Micro Edge through the hole provided in the extension flange. Secure as shown in Fig. 3. Adjust the bracket assembly until the Micro Edge is properly aligned and tighten the bracket bolts firmly. Repeat procedure for remaining door. **NOTE:** There is also a mirror mount bracket available for the 2002 International 7400 Series Navistar® truck not shown here (see parts list).

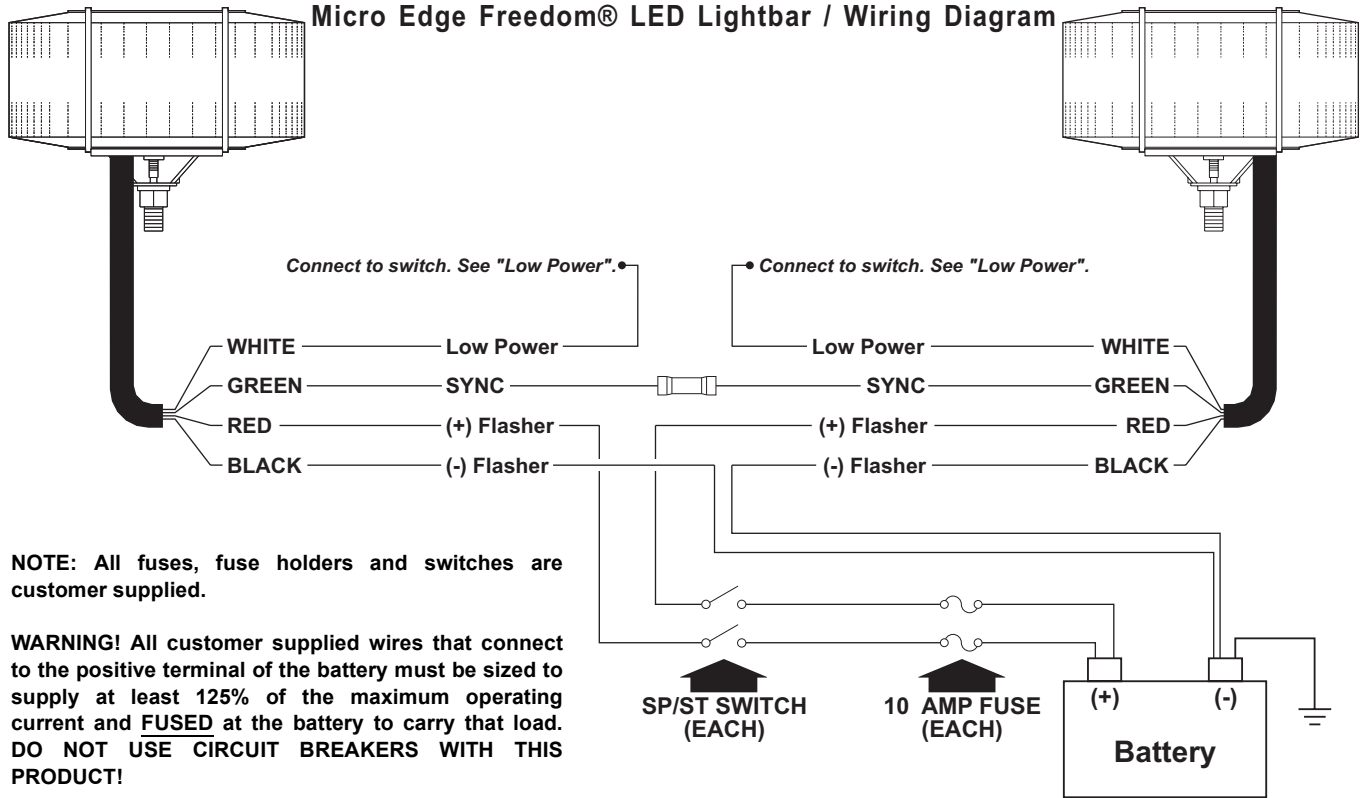
Wiring the Micro Edge:

The Micro Edge harness cable(s) must now be routed to the battery. The path the cables follow will vary, depending upon where the power supply has been mounted. If the power supply has been mounted against the rear cab wall, the path would be:

1. Secure harness cable to Micro Edge mounting bracket with ties (Fig. 4).
2. Now have the harness cable follow the factory mirror bracket to the point where the bracket meets the vehicle door. Secure the cable with heavy-duty wire ties.
3. Remove the interior door panel. When you are sure that no door components will be damaged, drill a hole in the door just below the point where the factory mirror bracket connects to the door. Insert a rubber grommet to prevent water leakage.
4. Insert the harness cable through the hole and route it towards the door's hinge panel. Drill a hole in the hinge panel and insert the harness cable. *Be sure the cable does not interfere with the movement of any door or window components* (Fig. 5).
5. Route the cable into the cab through the kick panel and then under the rocker panel molding. Make sure that the harness cable does not bind up when the door is opened and closed.
6. Extend the wires to their destinations as shown in the wiring diagram. Be sure to use the proper size wires (see wire size warning).



Micro Edge Freedom® LED Lightbar / Wiring Diagram



NOTE: All fuses, fuse holders and switches are customer supplied.

WARNING! All customer supplied wires that connect to the positive terminal of the battery must be sized to supply at least 125% of the maximum operating current and FUSED at the battery to carry that load. **DO NOT USE CIRCUIT BREAKERS WITH THIS PRODUCT!**

White (Low Power):

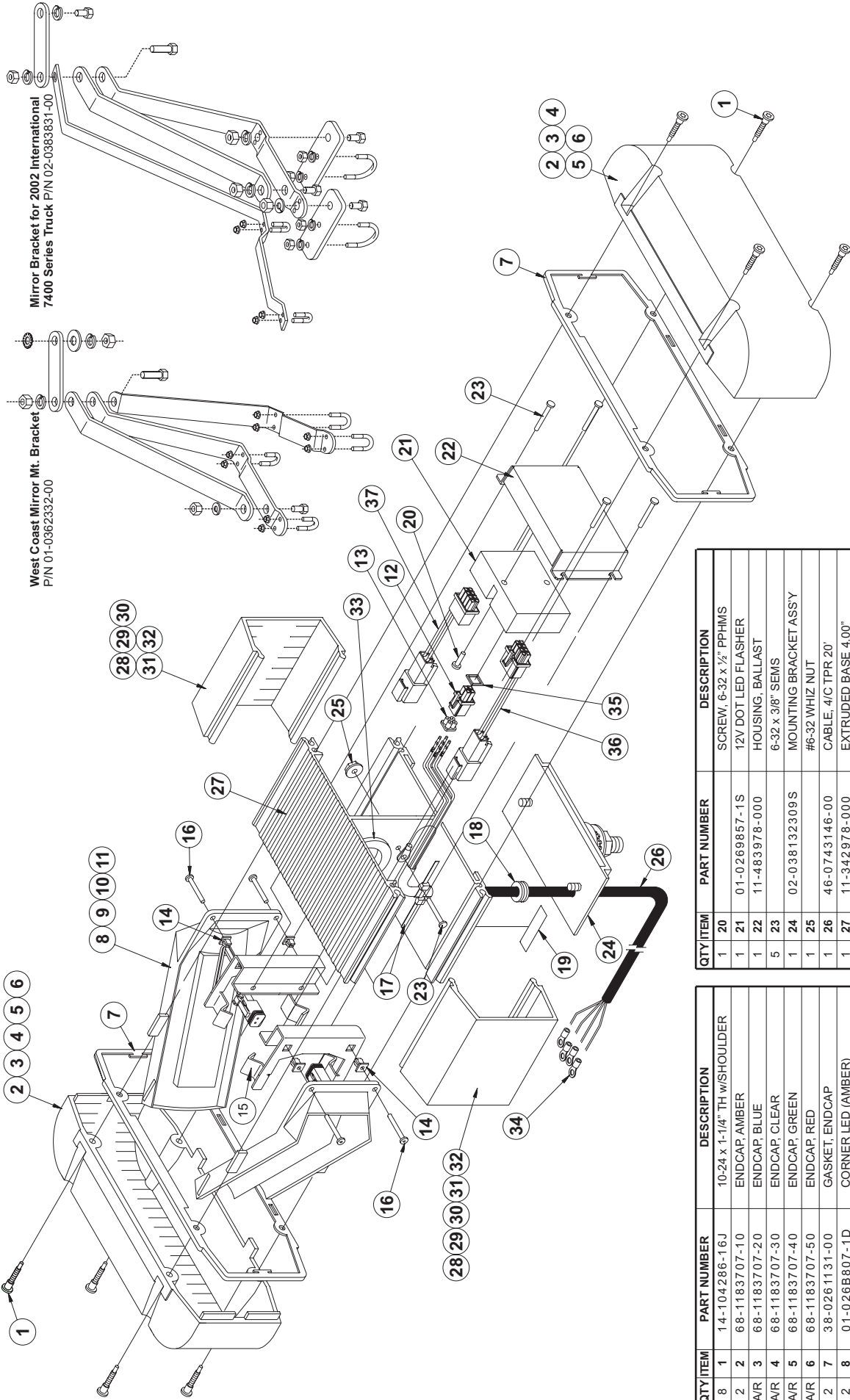
The type of switch used depends on how the operator wishes the Hi/Low feature to function:

Latching Mode: By applying +12VDC to the WHITE wire for less than 1 second, the power supply is "latched" into low power. The unit must be turned off and then back on to restore normal Hi power operation. A momentary switch is typically used here.

Level Mode: Applying +12VDC to the WHITE wire for more than 1 second holds the power supply in low power mode until voltage is removed. A toggle switch is typically used here.

Green (SYNC):

When you connect the GREEN wires together from both lightheads, the lightheads will flash simultaneously with each other.



Mirror Bracket for 2002 International
7400 Series Truck P/N 02-0383831-00

West Coast Mirror Mt. Bracket
P/N 01-0362332-00

QTY/ITEM	PART NUMBER	DESCRIPTION
1 20	SCREW, 6-32 x 1/2" PPHMS	
1 21	01-0269857-1 S	12V DOT LED FLASHER
1 22	11-483978-000	HOUSING, BALLAST
5 23	6-32 x 3/8" SEMS	
1 24	02-038132309 S	MOUNTING BRACKET ASSY
1 25	#6-32 WHIZ NUT	
1 26	46-0743146-00	CABLE, 4/C TPR 20"
1 27	11-342978-000	EXTRUDED BASE 4.00"
2 28	68-1183491A16	LENS, AMBER 4.00"
A/R 29	68-1183491B16	LENS, BLUE 4.00"
A/R 30	68-1183491C16	LENS, CLEAR 4.00"
A/R 31	68-1183491G16	LENS, GREEN 4.00"
A/R 32	68-1183491R16	LENS, RED 4.00"
1 33	21-11263204-0	GROMMET, 1"
4 34	25-0145521-05	RING TERMINAL
1 35	39-2H17429-04	SEAL, INTERFACE 4 POS MINI
1 36	46-0769852-01	HARNESS, OUTPUT 1
1 37	46-0769853-01	HARNESS, OUTPUT 2

QTY/ITEM	PART NUMBER	DESCRIPTION
8 1	14-104286-16J	10-24 x 1-1/4" TH w/SHOULDER
2 2	68-1183707-10	ENDCAP, AMBER
A/R 3	68-1183707-20	ENDCAP, BLUE
A/R 4	68-1183707-30	ENDCAP, CLEAR
A/R 5	68-1183707-40	ENDCAP, GREEN
A/R 6	68-1183707-50	ENDCAP, RED
2 7	38-0261131-00	GASKET, ENDCAP
2 8	01-026B807-1D	CORNER LED (AMBER)
A/R 9	01-026B807-2D	CORNER LED (BLUE)
A/R 10	01-026B807-3D	CORNER LED (WHITE)
A/R 11	01-026B807-5D	CORNER LED (RED)
1 12	39-0917425-04	HOUSING, PLUG 2X2 POS
1 13	39-2H17430-04	SEAL, GANG 4 POS
4 14	13-062C40-16J	#6 FASTEX® SCREW GROMMET
2 15	07-26C112-000	BRACKET, CORNER
4 16	15-065419-080	SCREW, #6 x 1/2" PLASTI-LOK
2 17	8" TY WRAP	
1 18	1/2" GROMMET	
1 19	LABEL	