

# WHELEN<sup>®</sup>

ENGINEERING COMPANY INC.

Route 145, Winthrop Road,  
 Chester, Connecticut 06412  
 Phone: (860) 526-9504  
 Fax: (860) 526-2009  
 Internet: [www.whelen.com](http://www.whelen.com)  
 Sales/Service e-mail: [aviation@whelen.com](mailto:aviation@whelen.com)

Installation Guide:  
 Model 70900( )-series  
 Model 7090004  
 7090005

P/N:01-0770900-04  
 01-0770900-05

## LED Flashing Anti-Collision Light Assembly



TSO-C96a CLASS III  
 APPROVED



The conditions and tests required for TSO approval of this article are minimum performance standards. It is the responsibility of those installing this article either on or within a specific type or class of aircraft to determine that the aircraft installation conditions are within the TSO standards. TSO articles must have separate approval for installation in aircraft. The article may be installed only if performed under 14 CFR part 43 or the applicable airworthiness requirements.

### OPERATING INSTRUCTIONS:

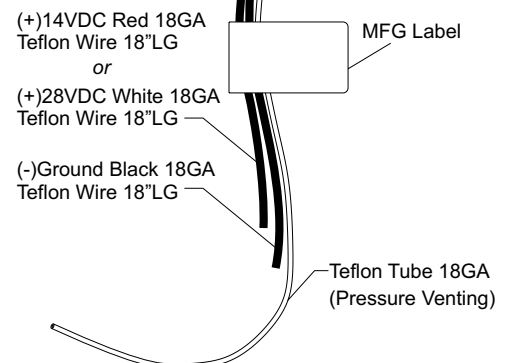
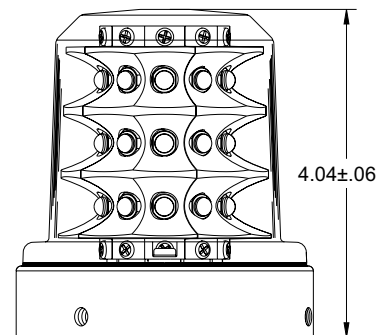
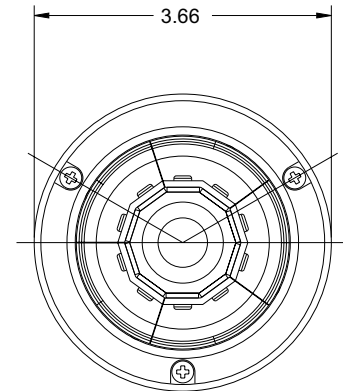
**Operational Voltage:** . . . . . 14 / 28 VDC nominal  
**Average Input Current:** . . . . . 0.85 / 0.425 Amps  
**Peak Input Current:** . . . . . 4.5 / 2.25 Amps @ .25 Seconds

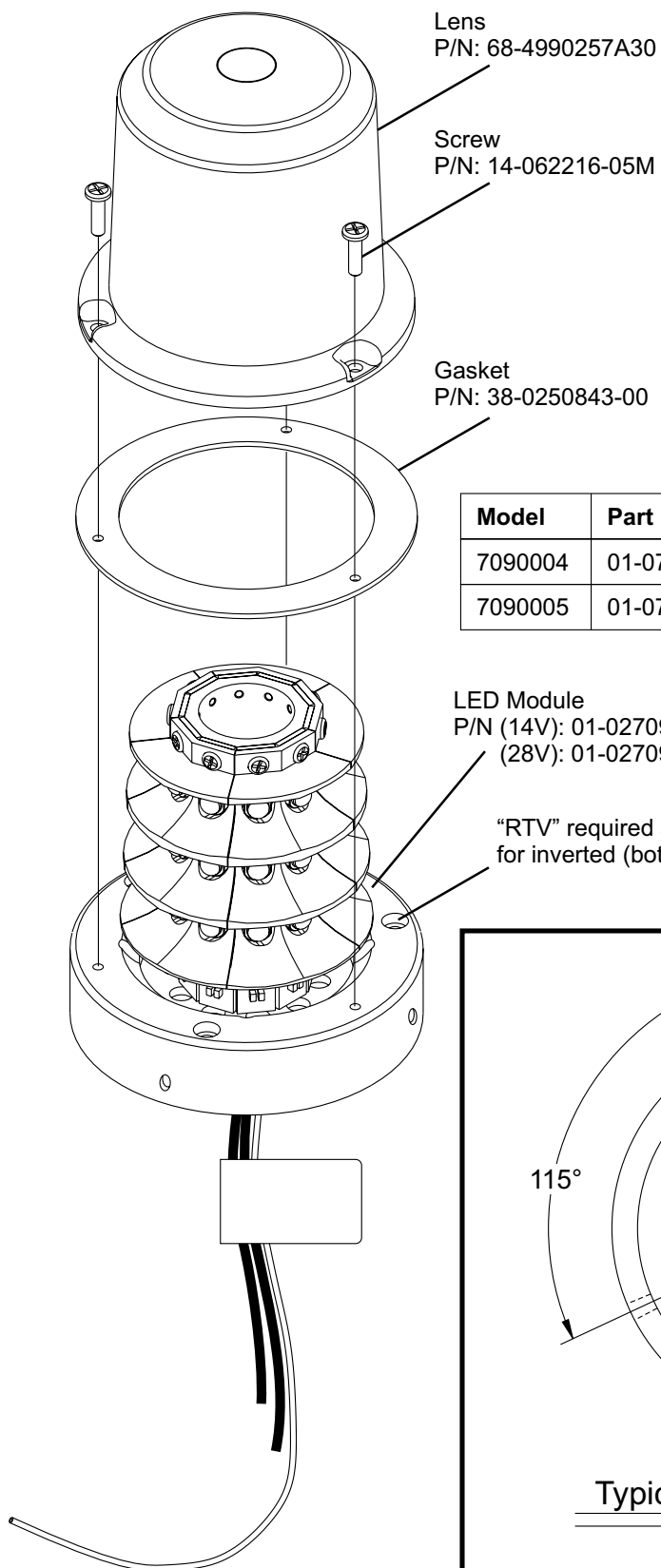
The Model 70900 series LED anti-collision light assembly meets the requirements of FAR 91.205(c)(3).

**CONTINUED AIRWORTHINESS:** The 70900 series LED anti-collision light assembly is designed with 10 vertical columns consisting of 3 LEDs each. Should any one LED or any vertical column fail, the unit must be repaired or replaced.

**INSTALLATION PROCEDURES:** The following information is to assist in the installation of a Whelen LED Flashing Anti-collision Light System.

1. The installation procedure described in the following text will be confined to a single light installation, but is identical for multiple light installations.
2. Prepare the aircraft for means to secure the LED Flashing Anti-collision Light assembly (see reference AC 43.13-2A, Ch. 9).
3. 14/28 VDC (+) and (-) ground leads equipped with an appropriate sized breaker to be supplied to the LED Flashing Anti-collision Light Assembly System. Both leads must be connected by an approved FAA connection. Insure that the wire leads and the pressure venting tube are all clear of any obstructions and ty-wrap as required. The pressure venting tube may be trimmed to minimum length of 1" from base.
4. Install the light assembly by securing to aircraft using #6-32 x 3/8" (maximum length) approved hardware. NOTE: Lens mounting screws installed at 5-7 in./lbs. of torque.
5. Check all avionics systems for interference from this installation.
6. A flight check should be performed by a properly certified pilot.
7. All inverted (bottom) mounted units shall require waterproofing of the unused mounting holes. An application of single-part silicone (RTV) or equivalent applied into mounting holes is recommended (see illustration on page 2). Inverted and/or standard mounted units, when necessary, may require waterproofing around any open area where water could get in. Specifically, the lens to the flasher base assembly, and the flasher base assembly to the aircraft. **Note:** It is permissible to drill a 1/8" hole in the center of the lens for bottom mount units.
8. Update aircraft records, complete Form 337 and obtain FAA field approval for installation.





Model	Part Number	Description
7090004	01-0770900-04	14VDC, No Connector
7090005	01-0770900-05	28VDC, No Connector

