

WHELEN[®]

ENGINEERING COMPANY INC.

51 Winthrop Road
Chester, Connecticut 06412-0684
Phone: (860) 526-9504
Fax: (860) 526-4078
Internet: www.whelen.com
Sales e-mail: autosale@whelen.com
Canadian Sales e-mail: autocan@whelen.com
Customer Service e-mail: custserv@whelen.com

Installation Guide:
Traffic Advisor™
Model(s) TA837M** (TIR LED)
TA837L** (5MM LED)
TA837AMP (Halogen-Strobe)

Safety First

This document provides all the necessary information to allow your Whelen product to be properly and safely installed. Before beginning the installation and/or operation of your new product, the installation technician and operator must read this manual completely. Important information is contained herein that could prevent serious injury or damage.

- Proper installation of this product requires the installer to have a good understanding of automotive electronics, systems and procedures.
- If mounting this product requires drilling holes, the installer **MUST** be sure that no vehicle components or other vital parts could be damaged by the drilling process. Check both sides of the mounting surface before drilling begins. Also de-burr any holes and remove any metal shards or remnants. Install grommets into all wire passage holes.
- If this manual states that this product may be mounted with suction cups, magnets, tape or Velcro®, clean the mounting surface with a 50/50 mix of isopropyl alcohol and water and dry thoroughly.
- Do not install this product or route any wires in the deployment area of your air bag. Equipment mounted or located in the air bag deployment area will damage or reduce the effectiveness of the air bag, or become a projectile that could cause serious personal injury or death. Refer to your vehicle owner's manual for the air bag deployment area. The User/Installer assumes full responsibility to determine proper mounting location, based on providing ultimate safety to all passengers inside the vehicle.
- For this product to operate at optimum efficiency, a good electrical connection to chassis ground must be made. The recommended procedure requires the product ground wire to be connected directly to the **NEGATIVE (-)** battery post.
- If this product uses a remote device to activate or control this product, make sure that this control is located in an area that allows both the vehicle and the control to be operated safely in any driving condition.
- Do not attempt to activate or control this device in a hazardous driving situation.
- This product contains either strobe light(s), halogen light(s), high-intensity LEDs or a combination of these lights. Do not stare directly into these lights. Momentary blindness and/or eye damage could result.
- Use only soap and water to clean the outer lens. Use of other chemicals could result in premature lens cracking (crazing) and discoloration. Lens in this condition have significantly reduced effectiveness and should be replaced immediately. Inspect and operate this product regularly to confirm its proper operation and mounting condition. Do not use a pressure washer to clean this product.
- It is recommended that these instructions be stored in a safe place and referred to when performing maintenance and/or reinstallation of this product.
- **FAILURE TO FOLLOW THESE SAFETY PRECAUTIONS AND INSTRUCTIONS COULD RESULT IN DAMAGE TO THE PRODUCT OR VEHICLE AND/OR SERIOUS INJURY TO YOU AND YOUR PASSENGERS!**

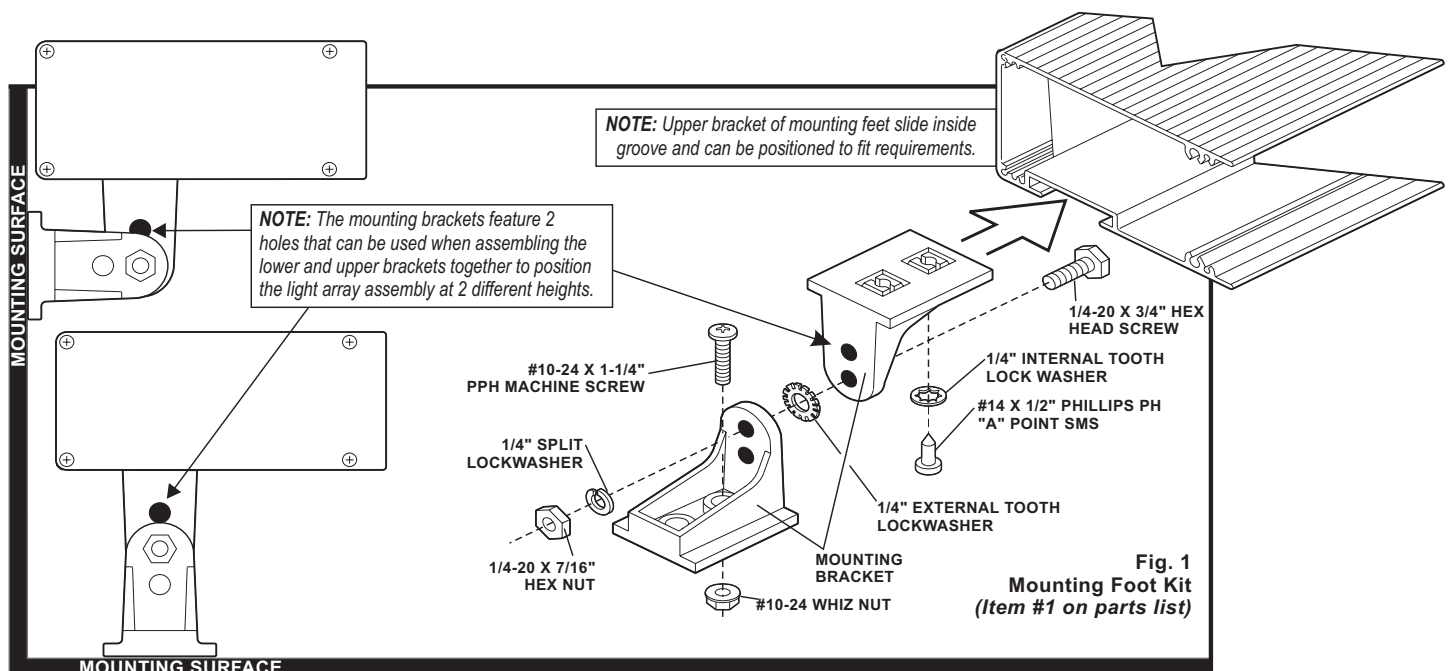
For warranty information regarding this product, visit www.whelen.com/warranty

Installation: Mounting the Traffic Advisor™

CAUTION: Do not connect the T/A system to power until the installation is completed. When servicing or trouble shooting always disconnect it from the power source.

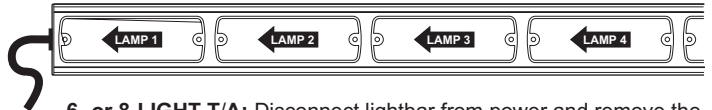
CAUTION: When the Traffic Advisor is mounted to the rear of the vehicle, the cable exit must be on the passenger side. If not, the flash pattern sequence you choose on the control head will be incorrect. For example, a left flashing pattern will flash right.

1. Remove the two lower brackets of the mounting feet from the mounting kit and secure them to the upper brackets with the supplied hardware (Fig. 1).
2. Slide mounting feet to their desired position inside the groove in the extrusion and secure with supplied hardware.
3. Loosen the hex nuts holding the upper and lower brackets together and place the T/A in the desired position on the proposed mounting surface. Adjust the lower brackets of the mounting feet to rest firmly on the mounting surface and trace the outline of these brackets onto that surface. If the T/A power cable is to pass through the mounting surface, be sure to mark the area for this passage hole.
4. Remove the T/A from the mounting surface and separate the lower brackets of the mounting feet from the upper brackets. Align the lower brackets with the outlines traced in the previous step and trace the mounting hole locations onto the mounting surface. **Make sure that the lower bracket is facing in the same direction as it was facing when it was outlined on the mounting surface in step 3.**
5. Examine the back side of the mounting surface to insure that no damage will occur when drilling the mounting holes. Drill the mounting holes with a 7/32" drill. If a wire passage hole has been marked, drill the hole using a drill bit sized for the cable and a rubber grommet (customer supplied).
6. Secure the lower brackets to the mounting surface.
7. Lower the T/A assembly onto the two lower brackets and secure both brackets together with the supplied mounting hardware. Before tightening the upper and lower brackets together, adjust the T/A to an angle best suited to its mounting location.
8. Slide the cable through the wire passage hole and route the cable to the control head mounting location. Refer to your control head manual for wiring.

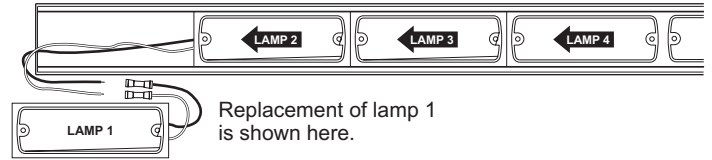


Replacing or Servicing a Lighthouse:

NOTE: Replacing a Lens or Halogen bulb does not require removing the lighthouse.



6- or 8-LIGHT T/A: Disconnect lightbar from power and remove the end cap on the side of the bar that the cable exits on. Slide the lighthoods out of the bar until you reach the one you are replacing. Cut the wires off of the old lighthouse (removing the old butt splice). Butt splice the new lighthouse and slide the lighthouse(s) back into the base.



Replacing a Halogen Snap-In Bulb:

WARNING: Replacing any bulb requires the use of safety glasses to prevent injury. Do not handle the bulb with bare hands.

WARNING: Replace lamps one at a time. If more than one lamp is removed from the unit without being replaced, the cable harness will shift and the butt splices that connect the lighthoods will be inaccessible.

1. Be sure the power to the lamp is off. Locate the removal tool included with your new bulb and use the small end of the tool to lift the base of the bulb assembly away from the socket.
2. Continue to lift until the bulb is free. Use either of these illustrated methods, depending upon application. Use a pliers to hold the tool and aid bulb removal.
3. Insert the alignment tab of the new bulb into the bulb holder and press firmly into the socket to lock the bulb into place.

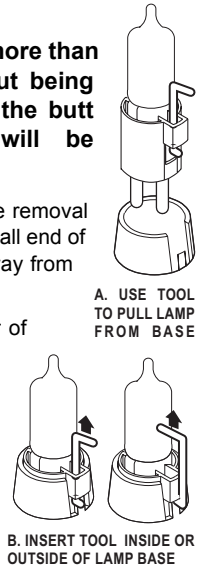
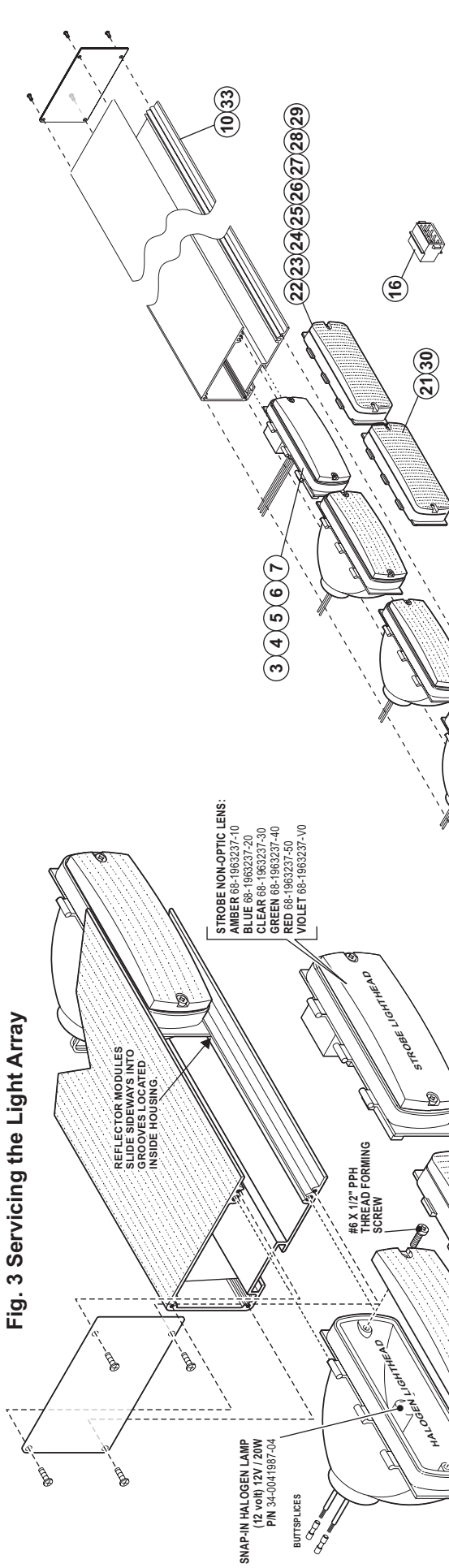


Fig. 3 Servicing the Light Array



STROBE NON-OPTIC LENS:
 AMBER 68-1963237-10
 BLUE 68-1963237-20
 CLEAR 68-1963237-30
 GREEN 68-1963237-40
 RED 68-1963237-50
 VIOLET 68-1963237-V0

HALOGEN OPTIC LENS:
 AMBER 68-1963237-10
 BLUE 68-1963237-20
 CLEAR 68-1963237-30
 GREEN 68-1963237-40
 RED 68-1963237-50
 VIOLET 68-1963237-V0

LED OPTIC LENS:
 AMBER 68-1963583-10
 RED 68-1963583-50
 CLEAR 68-1963583-30
 BLUE 68-1963583-20

SNAP-IN HALOGEN LAMP
 (12 volt) 12V / 20W
 PIN 34-0041987-04

#8 X 1/2" PPH
 THREAD FORMING
 SCREW

REFLECTOR MODULES
 SLIDE SIDWAYS INTO
 GROOVES LOCATED
 INSIDE HOUSING.

SYSTEM SPECIFICATIONS
 INPUT VOLTAGE..... 13.5 VDC ±20%
 BACK LIGHT VOLTAGE..... 13.5 VDC ±20%
 INPUT CURRENT..... 1.5 AMPS / LAMP
 BACK LIGHT CURRENT..... 100MA
STROBE
 V ANODE..... 200 VDC / MIN.
 600 VDC / MAX.
 V TRIGGER..... 150 VDC / MIN.
 POWER..... 25 WATTS / MAX.

STROBE LAMP SPECIFICATIONS
 V ANODE..... 200 VDC / MIN.
 600 VDC / MAX.
 V TRIGGER..... 150 VDC / MIN.
 ENERGY..... 25 JOULES / MAX
 FLASHRATE..... 70 FPM / TYP
 INPUT POWER..... 25 WATTS / MAX

HALOGEN LAMP SPECIFICATIONS
 INPUT VOLTAGE..... 13.5 VDC ±20%
 INPUT CURRENT..... 1.5 AMPS PER LAMP
 LAMP POWER..... 20 WATTS

PART NUMBER KEY
 0 1 - 0 6 8 4 0 0 0

FLASHER COLOR
 FLASHER TYPE

TRAFFIC ADVISOR™ TYPE:

- = 6 AMBER HALOGEN with
 2 END STROBES
 L = 6 5mm AMBER LED with
 2 END 5mm LED FLASHERS

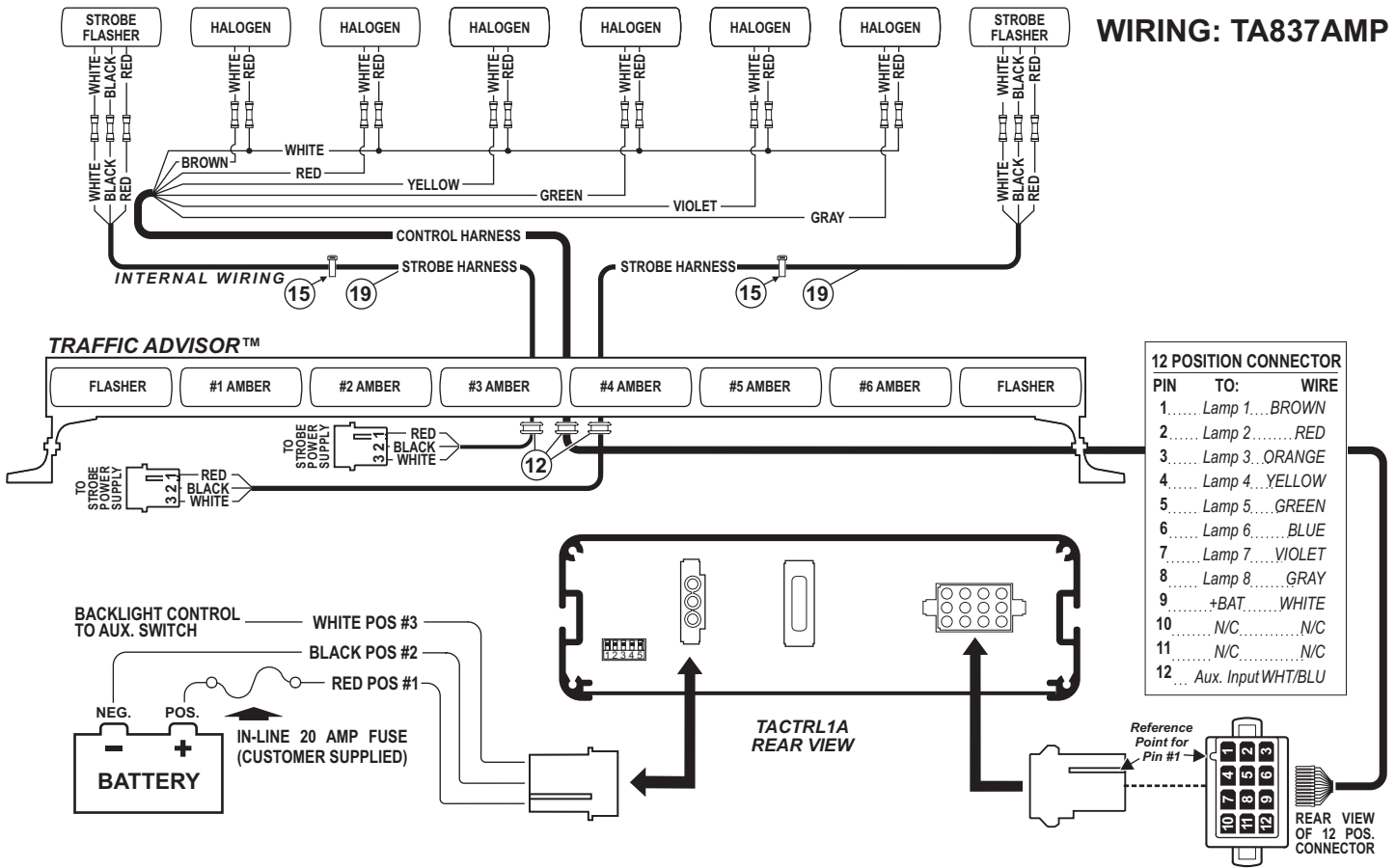
M = 6 TIR AMBER TIR with
 2 END TIR LED FLASHERS

FLASHER COLOR:

A = AMBER G = GREEN
 B = BLUE R = RED
 C = CLEAR

QTY	QTY	ITEM	PART NUMBER	DESCRIPTION	
*	*		01-0684000-C	TRAFFIC ADVISOR TA837/AMP	
*	*		01-0684000-L	TRAFFIC ADVISOR TA837/L**	
*	*		01-0684000-M	TRAFFIC ADVISOR TA837/M**	
1	1	1	01-0441769-01	MOUNTING BRACKET KIT	
-	-	6	2	01-06835772A4	HALOGEN SNAP-IN 2 WIRE 2 POS 12V/20W AMBER
-	-	A/R	3	01-0683565-A0	LINEAR STROBE AMP - AMBER
-	-	A/R	4	01-0683565-B0	LINEAR STROBE AMP - BLUE
-	-	A/R	5	01-0683565-C0	LINEAR STROBE AMP - CLEAR
-	-	A/R	6	01-0683565-G0	LINEAR STROBE AMP - GREEN
1	1	7	01-0683565-R0	LINEAR STROBE AMP - RED	
2	2	9	11-241413-001	HARNESSE ASSEMBLY, TIR-LED FLASHER	
1	1	10	11-463393-B01	ENDCAP	
8	8	11	14-062216-083	HOUSING 500 SERIES RECT.	
-	-	2	12	21-11091202-0	SCREW, 6-32 X 1/2" PPHMS SELF TAP TYPE F SS
1	1	13	21-11121603-0	3/8" GROMMET	
-	-	14	26-0121053-00	3/8" GROMMET	
-	-	2	15	26-0215000-1-06	TYWRAP / 6" BLACK
1	1	16	39-0412014-14	HOUSING / 12 POS AMP PIN	
-	-	2	17	39-0403013-04	HOUSING / AMP 3 POS PIN
-	-	2	18	39-0403023-04	HOUSING / AMP 3 POS SOCKET
-	-	1	19	46-0740624-17	CABLE ASSY / 6 LIGHT / TA SERIES
1	1	20	46-0963577-01	CABLE ASSY / 6 LIGHT / TA SERIES	
6	-	21	01-0663507A32	500 TIR LED STEADY / AMB-AMB / 140° / 2 POS	
AR	-	22	01-0663507B23	500 TIR LED FLASHER / AMB-AMB / 140° / 3 POS	
AR	-	23	01-0663507B23	500 TIR LED FLASHER / BLU-BLU / 140° / 3 POS	
AR	-	24	01-0663507C23	500 TIR LED FLASHER / CLR-WHT / 140° / 3 POS	
AR	-	25	01-0663507R23	500 TIR LED FLASHER / CLR-WHT / 140° / 3 POS	
-	-	A/R	26	02-03835585A3	500 LED FLASHER / AMB-AMB / 3 POS
-	-	A/R	27	02-03835585B3	500 LED FLASHER / BLU-BLU / 3 POS
-	-	A/R	28	02-03835585C3	500 LED FLASHER / WHT / CLR / 3 POS
-	-	A/R	29	02-03835585R3	500 LED FLASHER / RED-RED / 3 POS
-	-	6	30	02-03835585A2	500 LED STEADY-MAX / AMB-AMB / 2 POS
1	1	31	39-0402023-04	HOUSING / SOCKET - 2 POS AMP	
AR	A/R	32	66-1415940-00	GREASE / TRUCKHINED CORR PREV	
-	-	1	33	11-463393-B03	HOUSING / MACHINED 500 SERIES RECT.
-	-	1	34	46-0740624-20	ASSY / CABLE 3/C 20"

WIRING: TA837AMP



WIRING: TA837M** or TA837L**

