

# WHELEN<sup>®</sup>

ENGINEERING COMPANY INC.

Route 145, Winthrop Road,

Chester, Connecticut 06412

Phone: (860) 526-9504

Fax: (860) 526-4078

Internet: [www.whelen.com](http://www.whelen.com)

Sales e-mail: [autosale@whelen.com](mailto:autosale@whelen.com)

Canadian Sales e-mail: [autocan@whelen.com](mailto:autocan@whelen.com)

Customer Service e-mail: [custserv@whelen.com](mailto:custserv@whelen.com)

## Installation Guide: 500-series Linear8 Super-LED™ Lighthouse

### Safety First

This document provides all the necessary information to allow your Whelen product to be properly and safely installed. Before beginning the installation and/or operation of your new product, the installation technician and operator must read this manual completely. Important information is contained herein that could prevent serious injury or damage.

- **Proper installation of this product requires the installer to have a good understanding of automotive electronics, systems and procedures.**
- **If mounting this product requires drilling holes, the installer MUST be sure that no vehicle components or other vital parts could be damaged by the drilling process. Check both sides of the mounting surface before drilling begins. Also de-burr any holes and remove any metal shards or remnants. Install grommets into all wire passage holes.**
- **If this manual states that this product may be mounted with suction cups, magnets, tape or Velcro™, clean the mounting surface with a 50/50 mix of isopropyl alcohol and water and dry thoroughly.**
- **Do not install this product or route any wires in the deployment area of your air bag. Equipment mounted or located in the air bag deployment area will damage or reduce the effectiveness of the air bag, or become a projectile that could cause serious personal injury or death. Refer to your vehicle owners manual for the air bag deployment area. The User/Installer assumes full responsibility to determine proper mounting location, based on providing ultimate safety to all passengers inside the vehicle.**
- **For this product to operate at optimum efficiency, a good electrical connection to chassis ground must be made. The recommended procedure requires the product ground wire to be connected directly to the NEGATIVE (-) battery post.**
- **If this product uses a remote device to activate or control this product, make sure that this control is located in an area that allows both the vehicle and the control to be operated safely in any driving condition.**
- **Do not attempt to activate or control this device in a hazardous driving situation.**
- **This product contains either strobe light(s), halogen light(s), high-intensity LEDs or a combination of these lights. Do not stare directly into these lights. Momentary blindness and/or eye damage could result.**
- **Use only soap and water to clean the outer lens. Use of other chemicals could result in premature lens cracking (crazing) and discoloration. Lenses in this condition have significantly reduced effectiveness and should be replaced immediately. Inspect and operate this product regularly to confirm its proper operation and mounting condition. Do not use a pressure washer to clean this product.**
- **It is recommended that these instructions be stored in a safe place and referred to when performing maintenance and/or reinstallation of this product.**
- **FAILURE TO FOLLOW THESE SAFETY PRECAUTIONS AND INSTRUCTIONS COULD RESULT IN DAMAGE TO THE PRODUCT OR VEHICLE AND/OR SERIOUS INJURY TO YOU AND YOUR PASSENGERS!**

**For warranty information regarding this product, visit [www.whelen.com/warranty](http://www.whelen.com/warranty)**

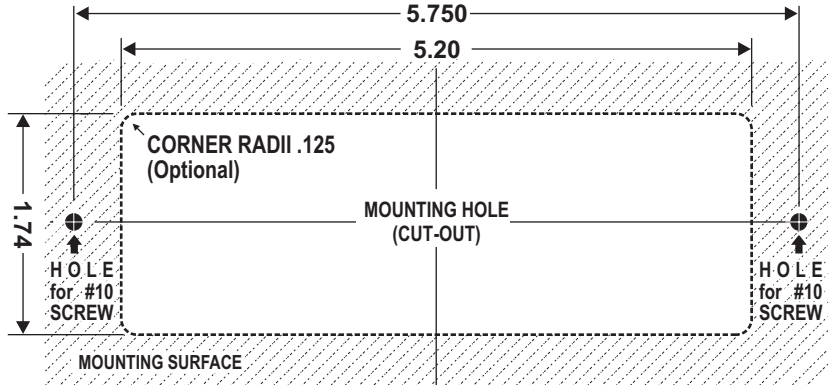
**IMPORTANT NOTICE!** This product has been designed for improved visibility. Prior to installing this product on any vehicle, check your state motor vehicle codes to confirm that this product complies with any and all state statutes.

**IMPORTANT:** The mounting diagrams are not drawn to scale. Check all measurements before drilling. Measurements are given in both decimals and fractions for your convenience. However, for a more accurate measurement and installation use decimals.

This Lighthouse can be mounted in several mounting styles using a mounting kit that must be purchased separately. Choose the mounting style that best suits your needs.

**Installation: Flanged**

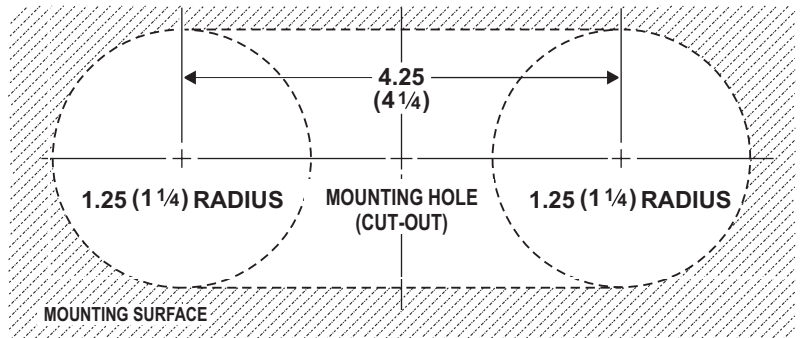
1. Mark the measurements shown in the flange mount diagram onto the mounting surface. Drill the two holes for the #10 mounting screws and then cut out and remove the area shown for the mounting hole.
2. Thread the wires through the rubber gasket, mounting hole and to your power source.
3. Attach light housing to vehicle using the supplied mounting hardware and accessories.
4. Extend the wires to your power source (See "Wiring" below).



**500 Series / Flange Mount**

**Installation: Grommet**

1. After marking onto the mounting surface the measurements shown in the D.O.T. grommet, drill the two 1.25" radius holes following the measurements, then cut out the center area as shown.
2. Install the rubber grommet into the vehicle. Assemble the flange, lighthouse and adapter as shown on the next page, then snap these 3 assembled parts into the rubber grommet.
3. Extend the wires to your power source (See "Wiring" below).



**500 Series / Grommet Mount**

**Wiring:**

This lighthouse must be connected to an LED power supply (or ballast) to operate. Wire the lighthouse as described in your LED power supply manual using the specifications and wire designations shown. DO NOT CONNECT this lighthouse to a STROBE power supply!

**WIRING DESIGNATIONS:**

**AMP 2 POS PIN**  
 POS 1...YELLOW, BLUE, WHITE OR RED WIRE / +12V  
 POS 2.....BLACK / -12V

**DEUTSCH 2 POS SOCKET**  
 POS 1...YELLOW, BLUE, WHITE OR RED WIRE / +12V  
 POS 2.....BLACK / -12V

**SPECIFICATIONS:**

**INPUT VOLTAGE:**  
 RED-AMBER.....18.48V TO 26.16V  
 BLUE-WHITE.....22.32V TO 31.92V

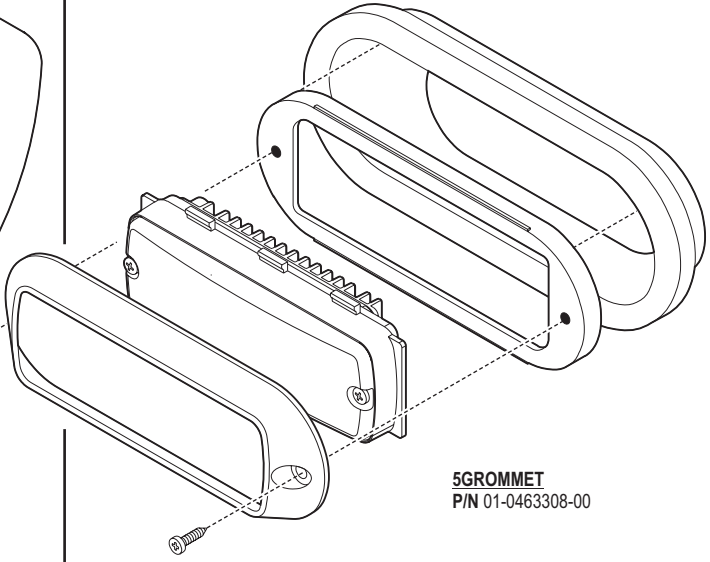
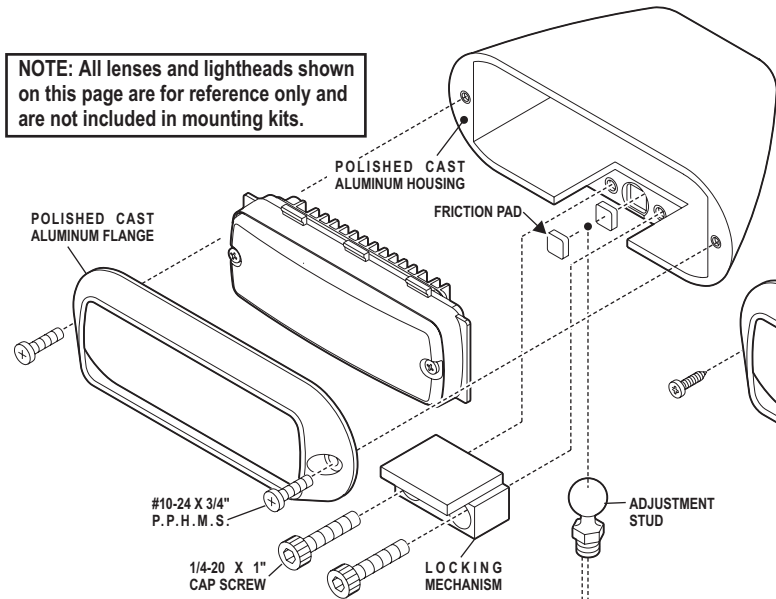
**INPUT CURRENT:**  
 PEAK.....385mA  
 FLASH DUTY CYCLE.....50% / MAX

**WARNING! All customer supplied wires that connect to the positive terminal of the battery must be sized to supply at least 125% of the maximum operating current and FUSED at the battery to carry that load. DO NOT USE CIRCUIT BREAKERS WITH THIS PRODUCT!**

# 500 Linear8 Super-LED™ LIGHTHEAD / MOUNTING KITS

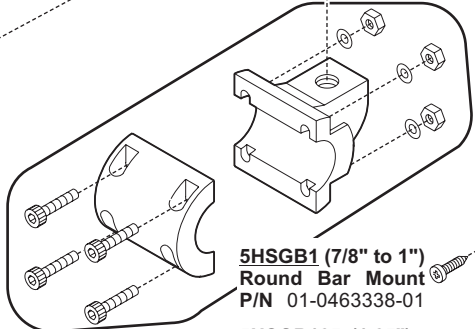
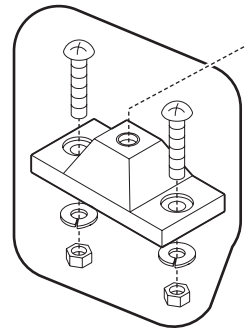
## Kit: 5GROMMET

**NOTE:** All lenses and lightheads shown on this page are for reference only and are not included in mounting kits.



## Kit: 5FLANGEF / 5HSGB or 5HSGB125

These kits include the items shown above, plus (Depending on which kit you purchase) the items shown below.

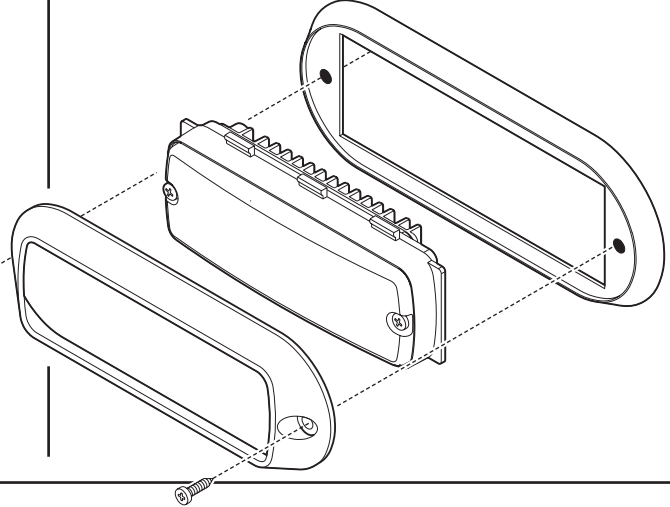


## Kit: 5FLANGEF / 5FLANGEF and 5FLANGEF

**5FLANGEF** Flange Kit / BLACK  
P/N 01-0463297-00

**5FLANGEF** Flange Kit / CHROME  
P/N 01-0463297-01

**5FLANGEF** Flange Kit / POLISHED ALUM.  
P/N 01-0463297-02



**5HSGBP** Pedestal Swivel Mount  
P/N 001-0463338-00

**5HSGB1** (7/8\"/>

**5HSGB125** (1.25\"/>

QTY	QTY	ITEM	PART NUMBER	DESCRIPTION
	*		01-0663709__2	ASSY / LIGHTHEAD LINEAR8 LED 500 SERIES AMP
*			01-0663709__4	ASSY / LIGHTHEAD LINEAR8 LED 500 SERIES DEUTSCH
2	2	1	15-065419-080	SCREW / #6 X 1/2\"/>
A/R	A/R	2	68-3963228-10	LENS / NON OPTIC - AMBER
A/R	A/R	3	68-3963228-20	LENS / NON OPTIC - BLUE
A/R	A/R	4	68-3963228-30	LENS / NON OPTIC - CLEAR
A/R	A/R	5	68-3963228-50	LENS / NON OPTIC - RED
-	A/R	6	01-0263620-12	SUB ASSY / LINEAR LED - AMBER-AMP
-	A/R	7	01-0263620-22	SUB ASSY / LINEAR LED - BLUE-AMP
-	A/R	8	01-0263620-32	SUB ASSY / LINEAR LED - WHITE-AMP
-	A/R	9	01-0263620-52	SUB ASSY / LINEAR LED - RED-AMP
A/R	-	10	01-0263620-14	SUB ASSY / LINEAR LED - AMBER-DEUTSCH
A/R	-	11	01-0263620-24	SUB ASSY / LINEAR LED - BLUE-DEUTSCH
A/R	-	12	01-0263620-34	SUB ASSY / LINEAR LED - WHITE-DEUTSCH
A/R	-	13	01-0263620-54	SUB ASSY / LINEAR LED - RED-DEUTSCH

**PART NUMBER KEY:** LED / LENS COLOR TERMINATION

01-0663709-      

LED / LENS COLOR	TERMINATION
A = AMBER-AMBER	2 = 2 POS AMP
B = BLUE-BLUE	4 = 2 POS DEUTSCH
R = RED-RED	
1 = AMBER-CLEAR	
2 = BLUE-CLEAR	
3 = WHITE-CLEAR	
5 = RED-CLEAR	