

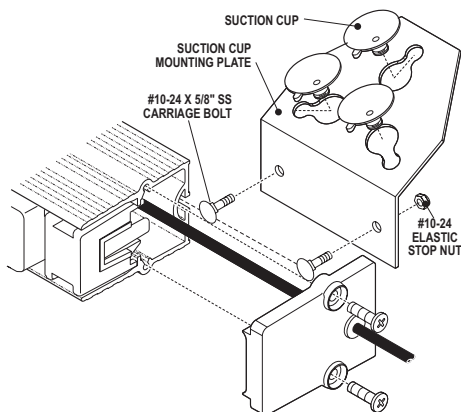
WHELEN[®]

ENGINEERING COMPANY INC.

Route 145, Winthrop Road,
Chester, Connecticut 06412
Phone: (860) 526-9504
Fax: (860) 526-4078

Mounting Guide: Dash/Suction Cup or Swivel Mount Bracket Dominator™ TIR3 Super-LED® Series

Internet: www.whelen.com
Sales e-mail: autosale@whelen.com
Canadian Sales e-mail: autocan@whelen.com
Customer Service e-mail: custserv@whelen.com



CAUTION: This product has been designed to rest on top of the vehicle's dashboard. Suction cups are used to prevent lateral movement while the vehicle is in motion. These suction cups should not be used to suspend this product above the dashboard.

©2004 Whelen Engineering Company Inc.
Form No.13885B (120906)

For warranty information regarding this product, visit www.whelen.com/warranty

WARNING! DO NOT MOUNT A DOMINATOR THAT HAS 3 OR MORE LIGHTHEADS TO A WINDSHIELD!

WARNING! Do not install this product or route any wires in the deployment area of your air bag. Equipment mounted or located in the air bag deployment area will damage or reduce the effectiveness of the air bag, or become a projectile that could cause serious personal injury or death. Refer to your vehicle owners manual for the air bag deployment area. The User/Installer assumes full responsibility to determine proper mounting location, based on providing ultimate safety to all passengers inside the vehicle.

Installation: Dash/Suction Cup Mount

1. Attach the suction cups to the mounting bracket as shown.
2. Mount the two carriage bolts to the bracket with the elastic stop nuts. (Do not fully tighten)
3. Remove the endcap as shown and slide the 2 carriage bolts on the bracket into the back of the Dominator™ then replace the endcap.
4. Adjust the position of the bracket for horizontal light projection then tighten the two carriage bolts.
5. Extend the cable to power. Refer to your Dominator™ manual for wiring.

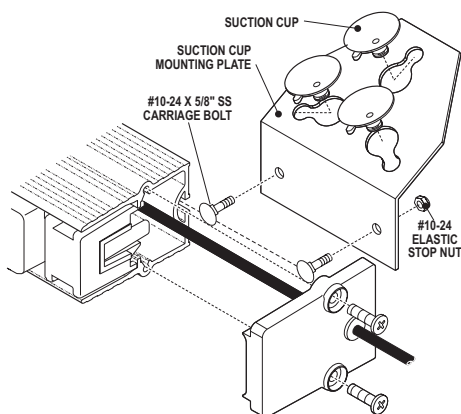
WHELEN[®]

ENGINEERING COMPANY INC.

Route 145, Winthrop Road,
Chester, Connecticut 06412
Phone: (860) 526-9504
Fax: (860) 526-4078

Mounting Guide: Dash/Suction Cup or Swivel Mount Bracket Dominator™ TIR3 Super-LED® Series

Internet: www.whelen.com
Sales e-mail: autosale@whelen.com
Canadian Sales e-mail: autocan@whelen.com
Customer Service e-mail: custserv@whelen.com



CAUTION: This product has been designed to rest on top of the vehicle's dashboard. Suction cups are used to prevent lateral movement while the vehicle is in motion. These suction cups should not be used to suspend this product above the dashboard.

©2004 Whelen Engineering Company Inc.
Form No.13885B (120906)

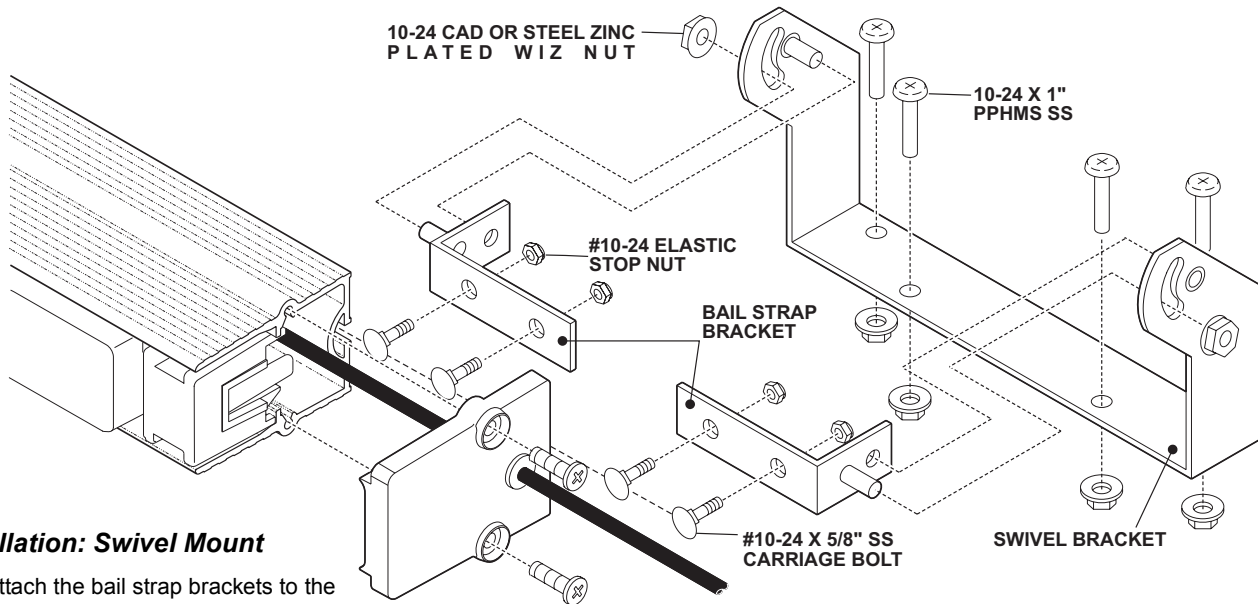
For warranty information regarding this product, visit www.whelen.com/warranty

WARNING! DO NOT MOUNT A DOMINATOR THAT HAS 3 OR MORE LIGHTHEADS TO A WINDSHIELD!

WARNING! Do not install this product or route any wires in the deployment area of your air bag. Equipment mounted or located in the air bag deployment area will damage or reduce the effectiveness of the air bag, or become a projectile that could cause serious personal injury or death. Refer to your vehicle owners manual for the air bag deployment area. The User/Installer assumes full responsibility to determine proper mounting location, based on providing ultimate safety to all passengers inside the vehicle.

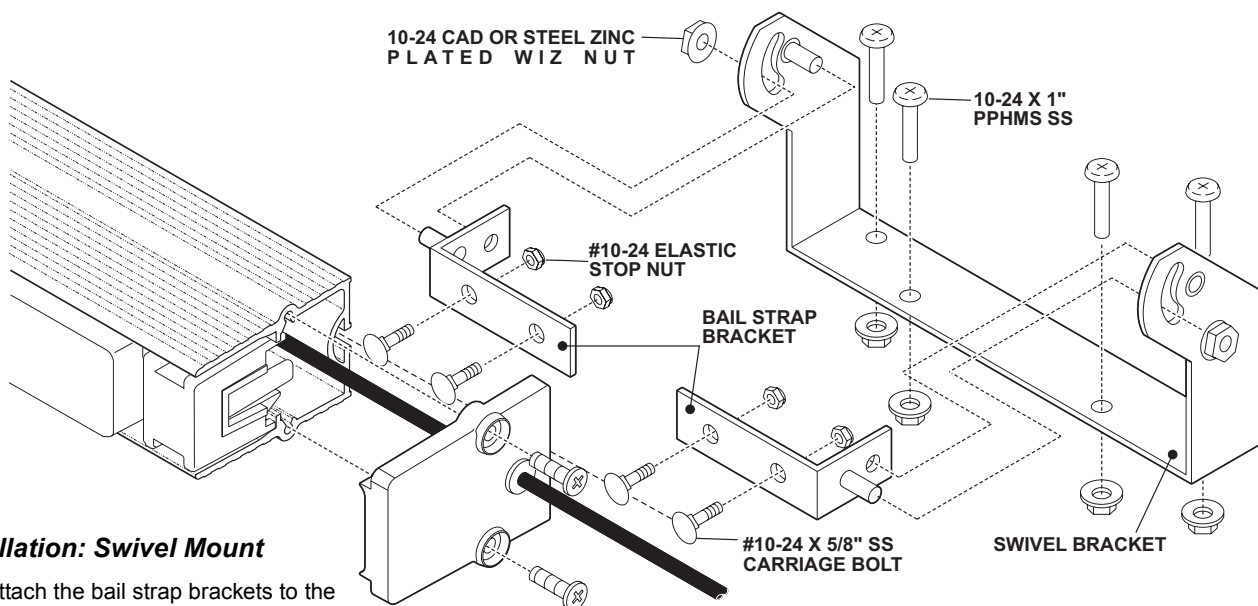
Installation: Dash/Suction Cup Mount

1. Attach the suction cups to the mounting bracket as shown.
2. Mount the two carriage bolts to the bracket with the elastic stop nuts. (Do not fully tighten)
3. Remove the endcap as shown and slide the 2 carriage bolts on the bracket into the back of the Dominator™ then replace the endcap.
4. Adjust the position of the bracket for horizontal light projection then tighten the two carriage bolts.
5. Extend the cable to power. Refer to your Dominator™ manual for wiring.



Installation: Swivel Mount

1. Attach the bail strap brackets to the swivel bracket using two of the supplied 10-24 wiz nuts as shown (do not fully tighten yet).
2. Mount the 4 carriage bolts with elastic stop nuts to the bail strap bracket (do not fully tighten yet).
3. Remove the endcap from the Dominator™, slide the 4 carriage bolts on the bracket into the back and then replace the endcap.
4. Place the unit with bracket in its mounting position on the mounting surface. After the bracket has been adjusted for proper angle, windshield clearance, etc., tighten the wiz nuts and elastic stop nuts to secure the Dominator™ into the desired position.
5. With the Dominator™ still in its mounting position, mark the 4 mounting holes onto the mounting surface.
6. Check both sides of the mounting surface to be sure that no vehicle components or other vital parts could be damaged by the drilling process, then remove the Dominator™ and drill the 4 mounting holes using an appropriately sized drill bit.
7. Mount the unit using the supplied 10-24 x 1" PPHMS and wiz nuts and extend the cable to power. Refer to your Dominator™ manual for detailed wiring information.



Installation: Swivel Mount

1. Attach the bail strap brackets to the swivel bracket using two of the supplied 10-24 wiz nuts as shown (do not fully tighten yet).
2. Mount the 4 carriage bolts with elastic stop nuts to the bail strap bracket (do not fully tighten yet).
3. Remove the endcap from the Dominator™, slide the 4 carriage bolts on the bracket into the back and then replace the endcap.
4. Place the unit with bracket in its mounting position on the mounting surface. After the bracket has been adjusted for proper angle, windshield clearance, etc., tighten the wiz nuts and elastic stop nuts to secure the Dominator™ into the desired position.
5. With the Dominator™ still in its mounting position, mark the 4 mounting holes onto the mounting surface.
6. Check both sides of the mounting surface to be sure that no vehicle components or other vital parts could be damaged by the drilling process, then remove the Dominator™ and drill the 4 mounting holes using an appropriately sized drill bit.
7. Mount the unit using the supplied 10-24 x 1" PPHMS and wiz nuts and extend the cable to power. Refer to your Dominator™ manual for detailed wiring information.