

WHELEN[®]

ENGINEERING COMPANY INC.

51 Winthrop Road,
Chester, Connecticut 06412-0684
Phone: (860) 526-9504
Fax: (860) 526-4078

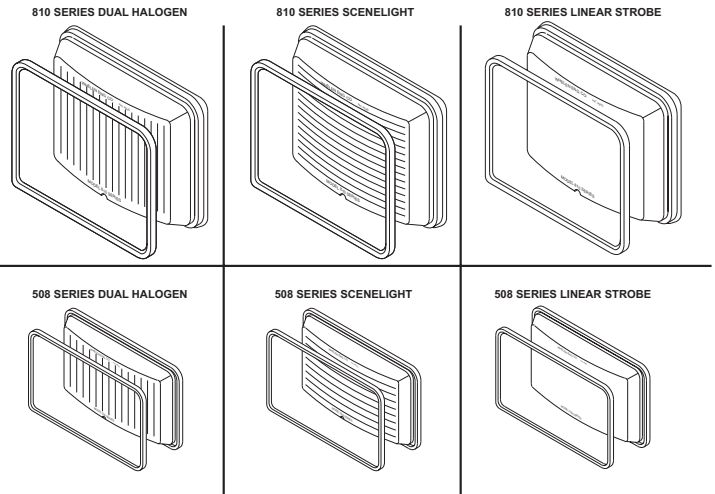
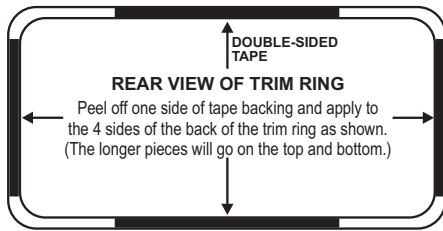
Installation Guide: 508 / 810 Series Flange Cover

Internet: www.whelen.com
Sales e-mail: autosale@whelen.com
Canadian Sales e-mail: autocan@whelen.com
Customer Service e-mail: custserv@whelen.com

Mounting:

First clean all mounting surfaces with isopropyl alcohol. Remove the protective backing to expose one side of the double stick tape (supplied). Apply a length of the tape to each of the 4 sides of the existing flange as shown below.

WARNING: After Installation, the outer surfaces of this product may be cleaned with mild soap and water. The use of any other chemicals may void product warranty. Do not use a pressure washer.



©2000 Whelen Engineering Company Inc.
Form No.13888A (062807)

For warranty information regarding this product, visit www.whelen.com/warranty

WHELEN[®]

ENGINEERING COMPANY INC.

51 Winthrop Road,
Chester, Connecticut 06412-0684
Phone: (860) 526-9504
Fax: (860) 526-4078

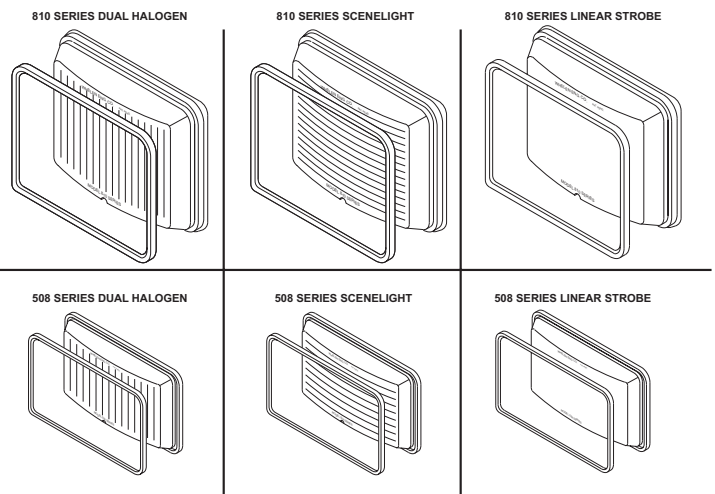
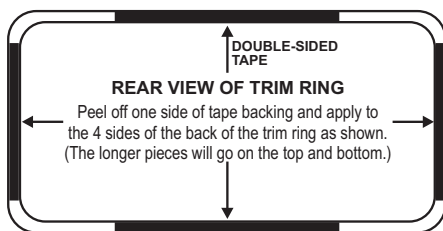
Installation Guide: 508 / 810 Series Flange Cover

Internet: www.whelen.com
Sales e-mail: autosale@whelen.com
Canadian Sales e-mail: autocan@whelen.com
Customer Service e-mail: custserv@whelen.com

Mounting:

First clean all mounting surfaces with isopropyl alcohol. Remove the protective backing to expose one side of the double stick tape (supplied). Apply a length of the tape to each of the 4 sides of the existing flange as shown below.

WARNING: After Installation, the outer surfaces of this product may be cleaned with mild soap and water. The use of any other chemicals may void product warranty. Do not use a pressure washer.



©2000 Whelen Engineering Company Inc.
Form No.13888A (062807)

For warranty information regarding this product, visit www.whelen.com/warranty