

WHELEN[®]

ENGINEERING COMPANY INC.

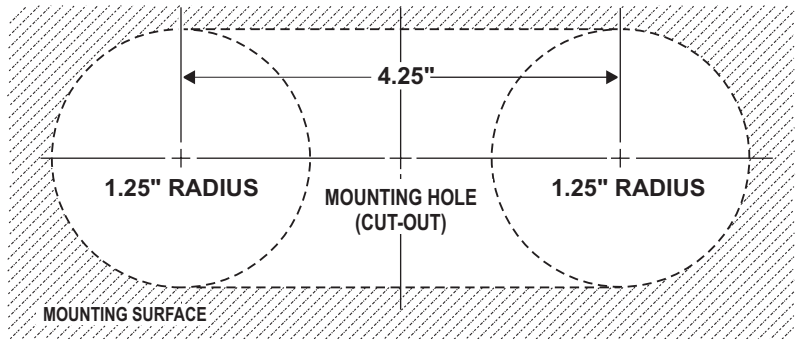
51 Winthrop Road,
Chester, Connecticut 06412-0684
Phone: (860) 526-9504
Fax: (860) 526-4078

Installation Guide: 5G Series Brake/Tail/Turn Lighthouse

Internet: www.whelen.com
Sales e-mail: autosale@whelen.com
Canadian Sales e-mail: autocan@whelen.com
Customer Service e-mail: custserv@whelen.com

Installation:

1. After marking onto the mounting surface the measurements shown here, drill the two 1.25" radius holes, then cut out the center area as shown.
2. Install the rubber grommet into the vehicle, then snap the lighthouse into the rubber grommet.
3. Extend the wires to your power source.



Wiring:

WARNING! All customer supplied wires that connect to the positive terminal of the battery must be sized to supply at least 125% of the maximum operating current and FUSED at the battery to carry that load. DO NOT USE CIRCUIT BREAKERS WITH THIS PRODUCT!

This lighthouse will replace your vehicles Brake/Tail/Turn light. To wire the lighthouse, follow the wiring diagram shown.

©2004 Whelen Engineering Company Inc.
Form No.13895D (062807)

For warranty information regarding this product, visit www.whelen.com/warranty

WHELEN[®]

ENGINEERING COMPANY INC.

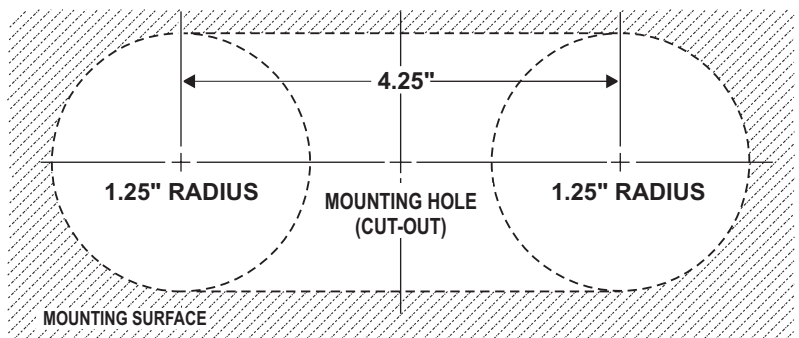
51 Winthrop Road,
Chester, Connecticut 06412-0684
Phone: (860) 526-9504
Fax: (860) 526-4078

Installation Guide: 5G Series Brake/Tail/Turn Lighthouse

Internet: www.whelen.com
Sales e-mail: autosale@whelen.com
Canadian Sales e-mail: autocan@whelen.com
Customer Service e-mail: custserv@whelen.com

Installation:

1. After marking onto the mounting surface the measurements shown here, drill the two 1.25" radius holes, then cut out the center area as shown.
2. Install the rubber grommet into the vehicle, then snap the lighthouse into the rubber grommet.
3. Extend the wires to your power source.



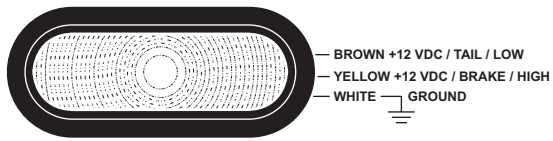
Wiring:

WARNING! All customer supplied wires that connect to the positive terminal of the battery must be sized to supply at least 125% of the maximum operating current and FUSED at the battery to carry that load. DO NOT USE CIRCUIT BREAKERS WITH THIS PRODUCT!

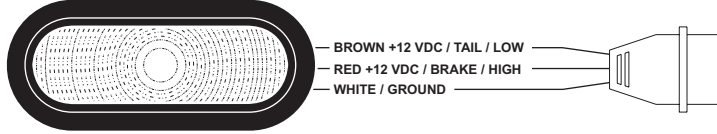
This lighthouse will replace your vehicles Brake/Tail/Turn light. To wire the lighthouse, follow the wiring diagram shown.

©2004 Whelen Engineering Company Inc.
Form No.13895D (062807)

For warranty information regarding this product, visit www.whelen.com/warranty

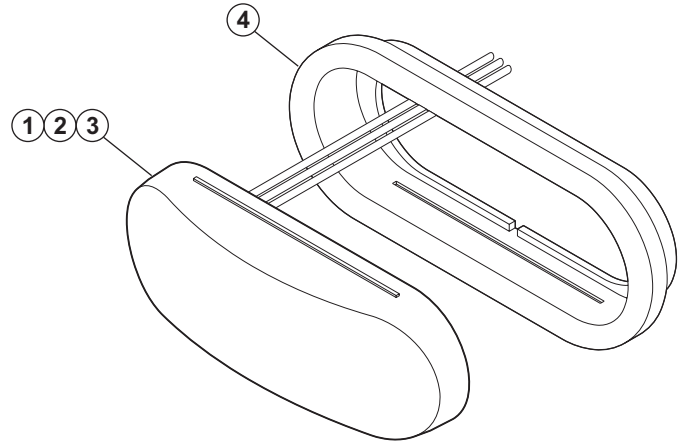
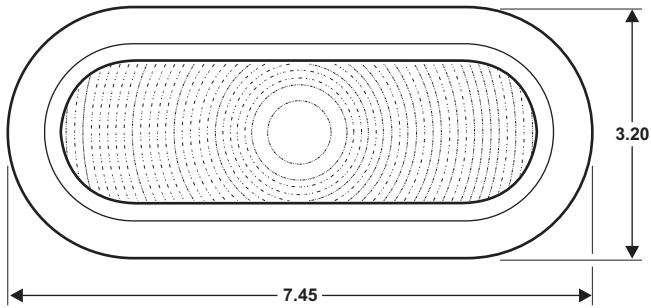


(With Truck Connector)

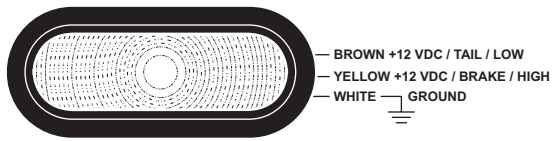


INPUT VOLTAGE
BRAKE - 12.8V DC ± 20%
TAIL - 12.8V DC ± 20%

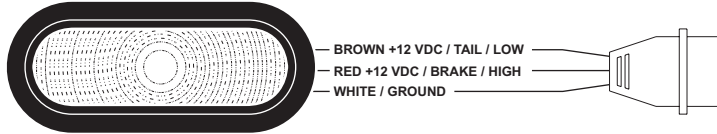
INPUT CURRENT
BRAKE / High - 320 mA
TAIL / Low - 20 mA



QTY	QTY	QTY	ITEM	PART NUMBER	DESCRIPTION
	*			01-0663852-R0	GROMMET MOUNT B/T/T - RED
	*			01-0663852-50	GROMMET MOUNT B/T/T - CLEAR
*				01-0663852-RT	GROMMET MOUNT B/T/T - RED (Truck Connector)
-	-	1	1	01-0263797-R0	ASSY / LED B/T/T - RED
-	-	1	2	01-0263797-50	ASSY / LED B/T/T - CLEAR
1	-	-	3	01-0263797-RT	ASSY / LED B/T/T - RED (Truck Connector)
1	1	1	4	21-0064188-00	GROMMET

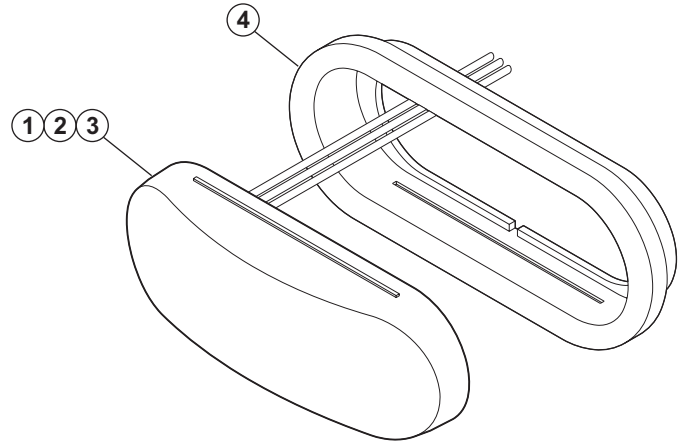
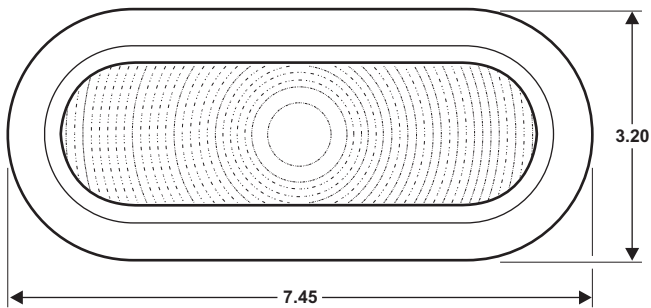


(With Truck Connector)



INPUT VOLTAGE
BRAKE - 12.8V DC ± 20%
TAIL - 12.8V DC ± 20%

INPUT CURRENT
BRAKE / High - 320 mA
TAIL / Low - 20 mA



QTY	QTY	QTY	ITEM	PART NUMBER	DESCRIPTION
	*			01-0663852-R0	GROMMET MOUNT B/T/T - RED
	*			01-0663852-50	GROMMET MOUNT B/T/T - CLEAR
*				01-0663852-RT	GROMMET MOUNT B/T/T - RED (Truck Connector)
-	-	1	1	01-0263797-R0	ASSY / LED B/T/T - RED
-	-	1	2	01-0263797-50	ASSY / LED B/T/T - CLEAR
1	-	-	3	01-0263797-RT	ASSY / LED B/T/T - RED (Truck Connector)
1	1	1	4	21-0064188-00	GROMMET