

WHELEN[®]

ENGINEERING COMPANY INC.

Route 145, Winthrop Road,
Chester, Connecticut 06412
Phone: (860) 526-9504
Fax: (860) 526-4078

Special Mounting Hardware Val-U-Bar™

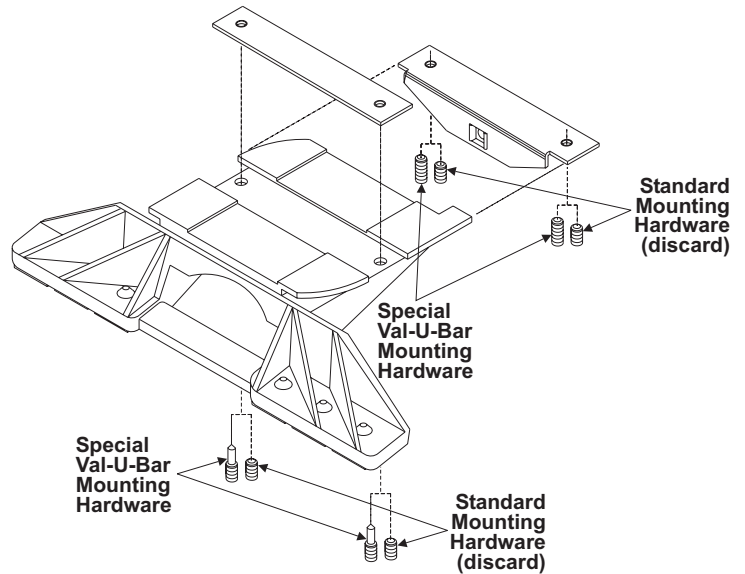
Internet: www.whelen.com
Sales e-mail: autosale@whelen.com
Canadian Sales e-mail: autocan@whelen.com
Customer Service e-mail: custserv@whelen.com

IMPORTANT!

This kit contains special mounting hardware used exclusively with the following Val-U-Bar Models:

- VB-247**
- VB-447**
- VB-647**

As shown in the illustration to the right, the set screws included with the standard lightbar mounting kit are to be replaced with the hardware included in this Val-U-Bar Mounting Kit.



©2004 Whelen Engineering Company Inc.
Form No.13898A (021307)

For warranty information regarding this product, visit www.whelen.com/warranty

WHELEN[®]

ENGINEERING COMPANY INC.

Route 145, Winthrop Road,
Chester, Connecticut 06412
Phone: (860) 526-9504
Fax: (860) 526-4078

Special Mounting Hardware Val-U-Bar™

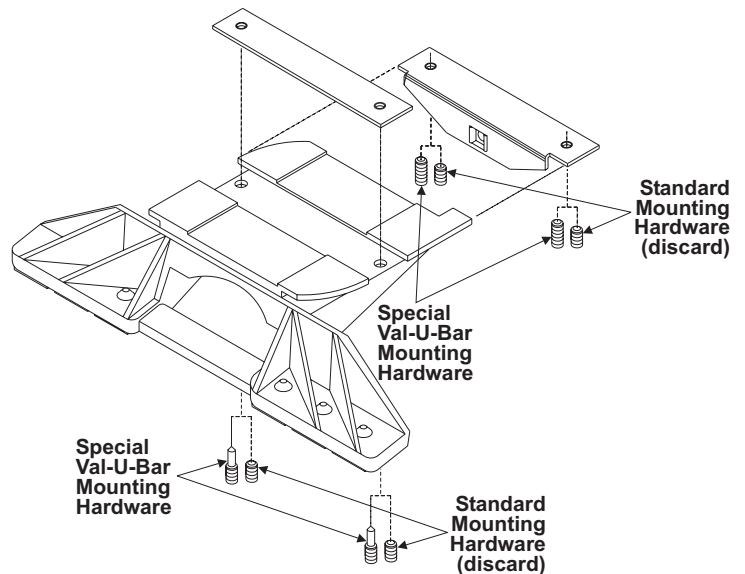
Internet: www.whelen.com
Sales e-mail: autosale@whelen.com
Canadian Sales e-mail: autocan@whelen.com
Customer Service e-mail: custserv@whelen.com

IMPORTANT!

This kit contains special mounting hardware used exclusively with the following Val-U-Bar Models:

- VB-247**
- VB-447**
- VB-647**

As shown in the illustration to the right, the set screws included with the standard lightbar mounting kit are to be replaced with the hardware included in this Val-U-Bar Mounting Kit.



©2004 Whelen Engineering Company Inc.
Form No.13898A (021307)

For warranty information regarding this product, visit www.whelen.com/warranty