

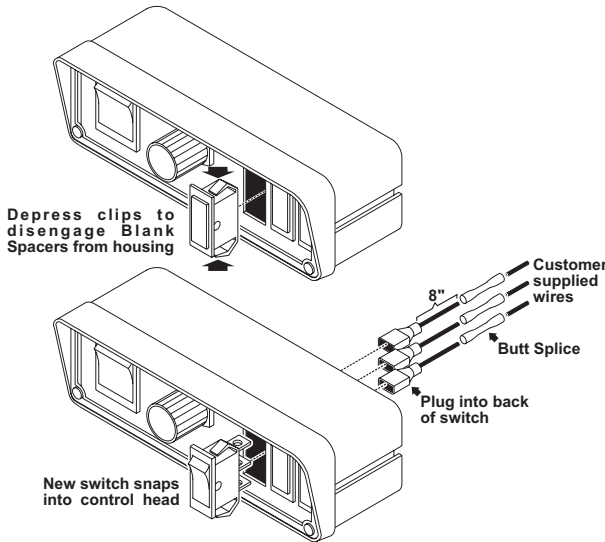
WHELEN[®]

ENGINEERING COMPANY INC.

51 Winthrop Road,
Chester, Connecticut 06412-0684
Phone: (860) 526-9504
Fax: (860) 526-4078

Internet: www.whelen.com
Sales e-mail: autosale@whelen.com
Canadian Sales e-mail: autocan@whelen.com
Customer Service e-mail: custserv@whelen.com

Installation Guide:
TADCTL1 Switch Kit
Model(s) TADSW1, TADSW2, TADSW3



Installation:

1. Remove the blank spacer from the control head (from the spot that you wish to install a switch into).
2. Snap the supplied switch into the spot that you removed the spacer from.
3. Plug the supplied wires (with fastons) into the switches terminals (see wiring diagrams).
4. Splice the customer supplied wire onto the wires described in the previous step using the supplied butt splices.
5. Extend the wires to the functions you wish to run. (see wiring diagrams.)

WARNING! All customer supplied wires that connect to the positive terminal of the battery must be sized to supply at least 125% of the maximum operating current and FUSED at the battery to carry that load. DO NOT USE CIRCUIT BREAKERS WITH THIS PRODUCT!

©2004 Whelen Engineering Company Inc.
Form No.13910A (073107)

For warranty information regarding this product, visit www.whelen.com/warranty

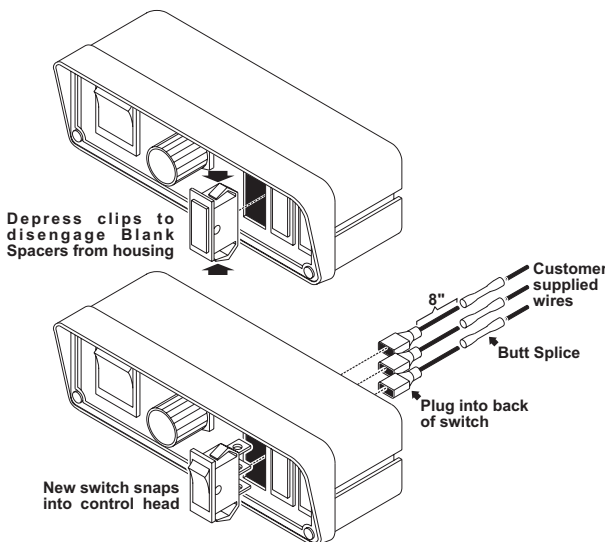
WHELEN[®]

ENGINEERING COMPANY INC.

51 Winthrop Road,
Chester, Connecticut 06412-0684
Phone: (860) 526-9504
Fax: (860) 526-4078

Internet: www.whelen.com
Sales e-mail: autosale@whelen.com
Canadian Sales e-mail: autocan@whelen.com
Customer Service e-mail: custserv@whelen.com

Installation Guide:
TADCTL1 Switch Kit
Model(s) TADSW1, TADSW2, TADSW3



Installation:

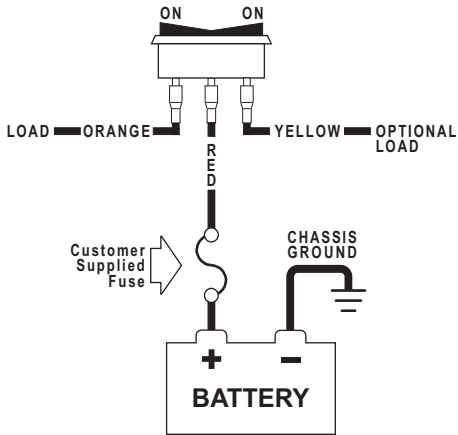
1. Remove the blank spacer from the control head (from the spot that you wish to install a switch into).
2. Snap the supplied switch into the spot that you removed the spacer from.
3. Plug the supplied wires (with fastons) into the switches terminals (see wiring diagrams).
4. Splice the customer supplied wire onto the wires described in the previous step using the supplied butt splices.
5. Extend the wires to the functions you wish to run. (see wiring diagrams.)

WARNING! All customer supplied wires that connect to the positive terminal of the battery must be sized to supply at least 125% of the maximum operating current and FUSED at the battery to carry that load. DO NOT USE CIRCUIT BREAKERS WITH THIS PRODUCT!

©2004 Whelen Engineering Company Inc.
Form No.13910A (073107)

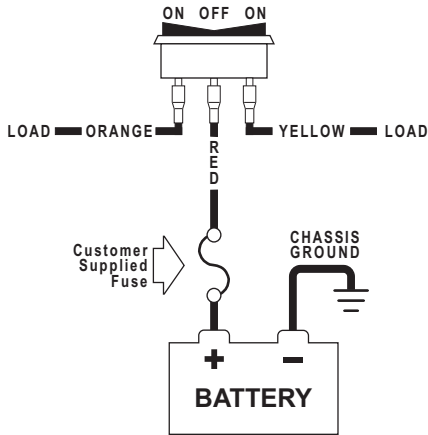
For warranty information regarding this product, visit www.whelen.com/warranty

Model: TADSW1 / On-On / SPDT / 20 Amp Switch
Part Number: 01-0469832-00



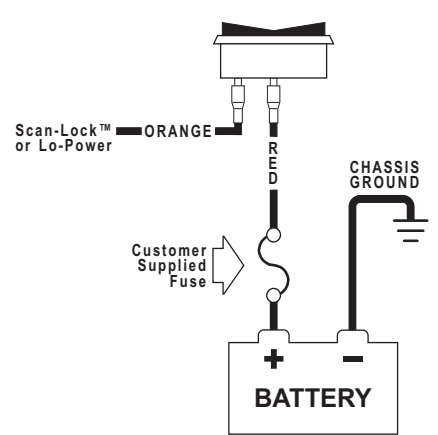
FUNCTIONS:
To Switch from Horn to Siren (On/On) . . .OR
To Power Strobes, Flashers or LED's (On/Off)

Model: TADSW2 / Center Off / SPDT CO / 20 Amp Switch
Part Number: 01-0469832-01



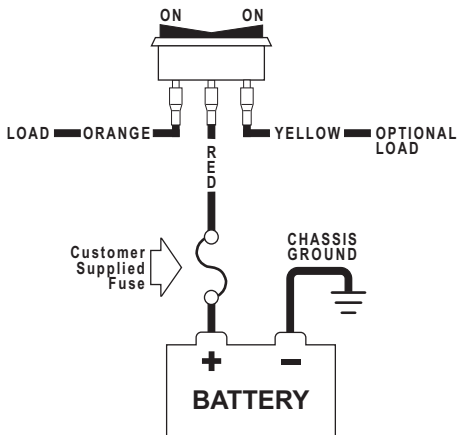
FUNCTIONS:
To Power Alley Lights (Left/Off/Right)

Model: TADSW3 / Momentary / SPST / 20 Amp Switch
Part Number: 01-0469832-02



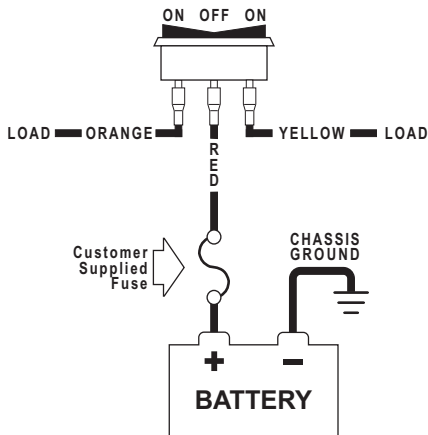
FUNCTIONS:
For Scan-Lock™ or Low Power

Model: TADSW1 / On-On / SPDT / 20 Amp Switch
Part Number: 01-0469832-00



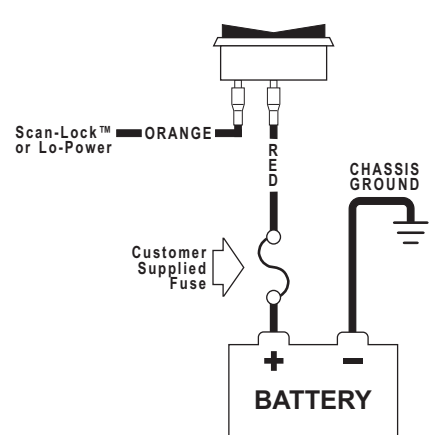
FUNCTIONS:
To Switch from Horn to Siren (On/On) . . .OR
To Power Strobes, Flashers or LED's (On/Off)

Model: TADSW2 / Center Off / SPDT CO / 20 Amp Switch
Part Number: 01-0469832-01



FUNCTIONS:
To Power Alley Lights (Left/Off/Right)

Model: TADSW3 / Momentary / SPST / 20 Amp Switch
Part Number: 01-0469832-02



FUNCTIONS:
For Scan-Lock™ or Low Power