

# WHELEN<sup>®</sup>

ENGINEERING COMPANY INC.

Route 145, Winthrop Road,  
Chester, Connecticut 06412  
Phone: (860) 526-9504  
Fax: (860) 526-4078  
Internet: [www.whelen.com](http://www.whelen.com)  
Sales e-mail: [autosale@whelen.com](mailto:autosale@whelen.com)  
Canadian Sales e-mail: [autocan@whelen.com](mailto:autocan@whelen.com)  
Customer Service e-mail: [custserv@whelen.com](mailto:custserv@whelen.com)

## Installation Guide: 400-series Linear LED Lighthouse (Active)

### Safety First

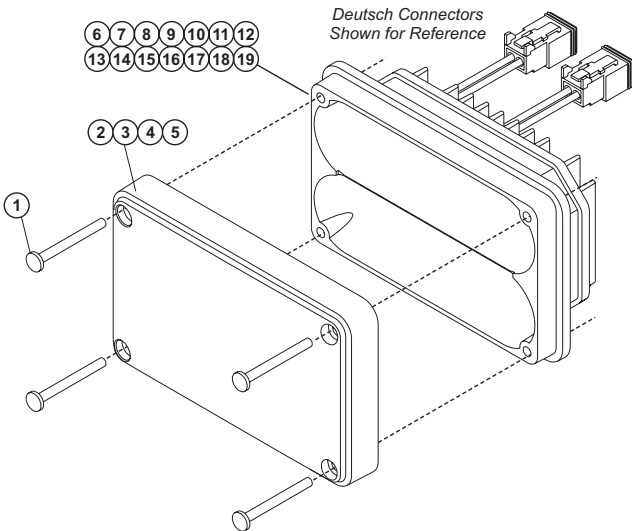
This document provides all the necessary information to allow your Whelen product to be properly and safely installed. Before beginning the installation and/or operation of your new product, the installation technician and operator must read this manual completely. Important information is contained herein that could prevent serious injury or damage.

- **Proper installation of this product requires the installer to have a good understanding of automotive electronics, systems and procedures.**
- **If mounting this product requires drilling holes, the installer MUST be sure that no vehicle components or other vital parts could be damaged by the drilling process. Check both sides of the mounting surface before drilling begins. Also de-burr any holes and remove any metal shards or remnants. Install grommets into all wire passage holes.**
- **If this manual states that this product may be mounted with suction cups, magnets, tape or Velcro™, clean the mounting surface with a 50/50 mix of isopropyl alcohol and water and dry thoroughly.**
- **Do not install this product or route any wires in the deployment area of your air bag. Equipment mounted or located in the air bag deployment area will damage or reduce the effectiveness of the air bag, or become a projectile that could cause serious personal injury or death. Refer to your vehicle owners manual for the air bag deployment area. The User/Installer assumes full responsibility to determine proper mounting location, based on providing ultimate safety to all passengers inside the vehicle.**
- **For this product to operate at optimum efficiency, a good electrical connection to chassis ground must be made. The recommended procedure requires the product ground wire to be connected directly to the NEGATIVE (-) battery post.**
- **If this product uses a remote device to activate or control this product, make sure that this control is located in an area that allows both the vehicle and the control to be operated safely in any driving condition.**
- **Do not attempt to activate or control this device in a hazardous driving situation.**
- **This product contains either strobe light(s), halogen light(s), high-intensity LEDs or a combination of these lights. Do not stare directly into these lights. Momentary blindness and/or eye damage could result.**
- **Use only soap and water to clean the outer lens. Use of other chemicals could result in premature lens cracking (crazing) and discoloration. Lenses in this condition have significantly reduced effectiveness and should be replaced immediately. Inspect and operate this product regularly to confirm its proper operation and mounting condition. Do not use a pressure washer to clean this product.**
- **It is recommended that these instructions be stored in a safe place and referred to when performing maintenance and/or reinstallation of this product.**
- **FAILURE TO FOLLOW THESE SAFETY PRECAUTIONS AND INSTRUCTIONS COULD RESULT IN DAMAGE TO THE PRODUCT OR VEHICLE AND/OR SERIOUS INJURY TO YOU AND YOUR PASSENGERS!**

**For warranty information regarding this product, visit [www.whelen.com/warranty](http://www.whelen.com/warranty)**

**LINEAR LED LIGHTHEAD / 400 SERIES**

QTY	QTY	ITEM	PART NUMBER	DESCRIPTION
*	*		01-06637834 ( )	400 LINEAR LED (DEUTSCH)
*	*		01-06637832 ( )	400 LINEAR LED (AMP)
4	4	1		SCREW, #6 x 2 1/4" PPHSMS SS
A/R	A/R	2	68-3183725-1S	LENS, AMBER (NON-OPTIC)
A/R	A/R	3	68-3183725-2S	LENS, BLUE (NON-OPTIC)
A/R	A/R	4	68-3183725-3S	LENS, CLEAR (NON-OPTIC)
A/R	A/R	5	68-3183725-5S	LENS, RED (NON-OPTIC)
A/R	A/R	6	02-0363769411	LED ASS'Y - AMB/AMB - DEUTSCH
A/R	A/R	7	02-0363769422	LED ASS'Y - BLU/BLU - DEUTSCH
A/R	A/R	8	02-0363769423	LED ASS'Y - BLU/WHT - DEUTSCH
A/R	A/R	9	02-0363769425	LED ASS'Y - BLU/RED - DEUTSCH
A/R	A/R	10	02-0363769433	LED ASS'Y - WHT/WHT - DEUTSCH
A/R	A/R	11	02-0363769435	LED ASS'Y - WHT/RED - DEUTSCH
A/R	A/R	12	02-0363769455	LED ASS'Y - RED/RED - DEUTSCH
A/R	A/R	13	02-0363769211	LED ASS'Y - AMB/AMB - AMP
A/R	A/R	14	02-0363769222	LED ASS'Y - BLU/BLU - AMP
A/R	A/R	15	02-0363769223	LED ASS'Y - BLU/WHT - AMP
A/R	A/R	16	02-0363769225	LED ASS'Y - BLU/RED - AMP
A/R	A/R	17	02-0363769233	LED ASS'Y - WHT/WHT - AMP
A/R	A/R	18	02-0363769235	LED ASS'Y - WHT/RED - AMP
A/R	A/R	19	02-0363769255	LED ASS'Y - RED/RED - AMP



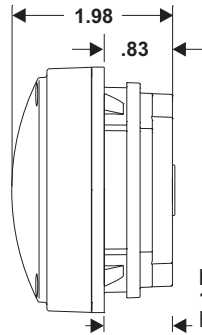
**IMPORTANT NOTICE!** This product has been designed for improved visibility. Prior to installing this product on any vehicle, check your state motor vehicle codes to confirm that this product complies with all state statutes.

**Installation:**

**WARNING! DO NOT CONNECT** the LED to a strobe power supply! It must be connected to a **CONSTANT CURRENT LED POWER SUPPLY**.

**WARNING!** All customer supplied wires that connect to the positive terminal of the battery must be sized to supply at least 125% of the maximum operating current and **FUSED** at the battery to carry that load. **DO NOT USE CIRCUIT BREAKERS WITH THIS PRODUCT!**

1. Position the lighthouse in its approximate mounting location to make sure that the lighthouse will not interfere with any existing equipment. Also be aware of any and all items on the opposite side of the mounting surface to prevent any possible damage to existing components. A 1 1/4 inch minimum mounting depth is required.
2. Remove the lighthouse. Measure and mark off onto the mounting surface, the mounting holes and cut-out as shown.
3. Using an appropriately sized drill bit for a #6 sheet metal screw, drill the 4 pilot holes.
4. Cut out and remove the area indicated in the mounting diagram.
5. Route the cable(s) towards the LED power supply (Cables and power supply are customer supplied).
6. Plug the lighthouse into the cable and the cable into the LED power supply. Test the operation of the lighthouse before securing it to the vehicle.
7. Secure the assembly onto the mounting surface with the supplied sheet metal screws.



**WIRING:**  
**POSITIVE WIRE:** Wire color is whatever the color of the LED is when the light is switched on. (YELLOW, BLUE, WHITE or RED)  
**RETURN WIRE:** BLACK

**IMPORTANT:**  
 1 1/4" Minimum Required Mounting Depth

