

WHELEN[®]

ENGINEERING COMPANY INC.

51 Winthrop Road,
Chester, Connecticut 06412-0684
Phone: (860) 526-9504
Fax: (860) 526-4078

Installation Guide: TIR3™ Super LED® Lighthead Bracket Model RBKTHD3 Rear Crash Bar, Harley-Davidson® w/State Police Package

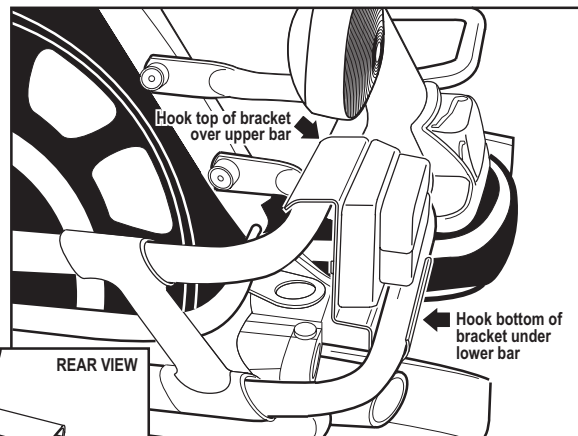
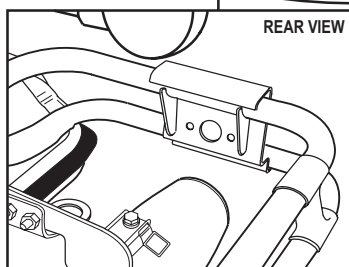
Internet: www.whelen.com
Sales e-mail: autosale@whelen.com
Canadian Sales e-mail: autocan@whelen.com
Customer Service e-mail: custserv@whelen.com

Installation:

This bracket mounts to the rear crash bar of a Harley-Davidson motorcycle.

1. First secure the bracket to the crash bar as shown, using the four 6-32 X 5/16" elastic stop nuts supplied (see illustration on next page).
2. Thread the wires through the two wire holes then firmly secure the lighthead to the bracket using the two stainless steel 6-32 X 1/2" Phillips pan head metal screws.
3. Extend the wires to your power source and connect as shown in the manual that comes with the lighthead.

WARNING! All customer supplied wires that connect to the positive terminal of the battery must be sized to supply at least 125% of the maximum operating current and **FUSED** at the battery to carry that load. **DO NOT USE CIRCUIT BREAKERS WITH THIS PRODUCT!**



©2004 Whelen Engineering Company
Inc. Form No.13934B (060707)

For warranty information regarding this product, visit www.whelen.com/warranty

WHELEN[®]

ENGINEERING COMPANY INC.

51 Winthrop Road,
Chester, Connecticut 06412-0684
Phone: (860) 526-9504
Fax: (860) 526-4078

Installation Guide: TIR3™ Super LED® Lighthead Bracket Model RBKTHD3 Rear Crash Bar, Harley-Davidson® w/State Police Package

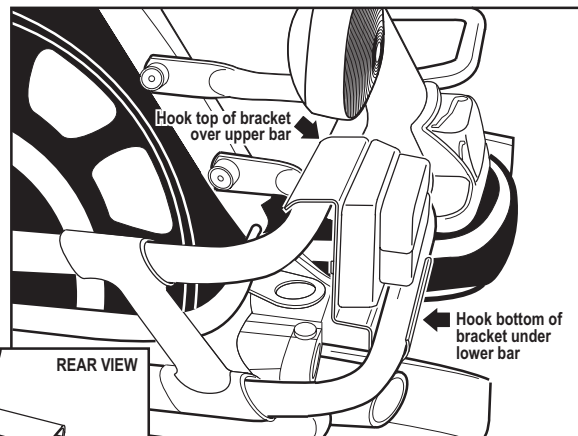
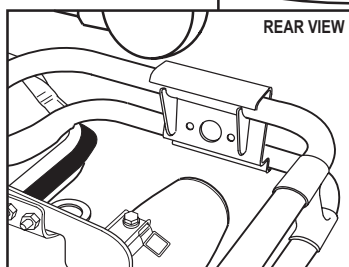
Internet: www.whelen.com
Sales e-mail: autosale@whelen.com
Canadian Sales e-mail: autocan@whelen.com
Customer Service e-mail: custserv@whelen.com

Installation:

This bracket mounts to the rear crash bar of a Harley-Davidson motorcycle.

1. First secure the bracket to the crash bar as shown, using the four 6-32 X 5/16" elastic stop nuts supplied (see illustration on next page).
2. Thread the wires through the two wire holes then firmly secure the lighthead to the bracket using the two stainless steel 6-32 X 1/2" Phillips pan head metal screws.
3. Extend the wires to your power source and connect as shown in the manual that comes with the lighthead.

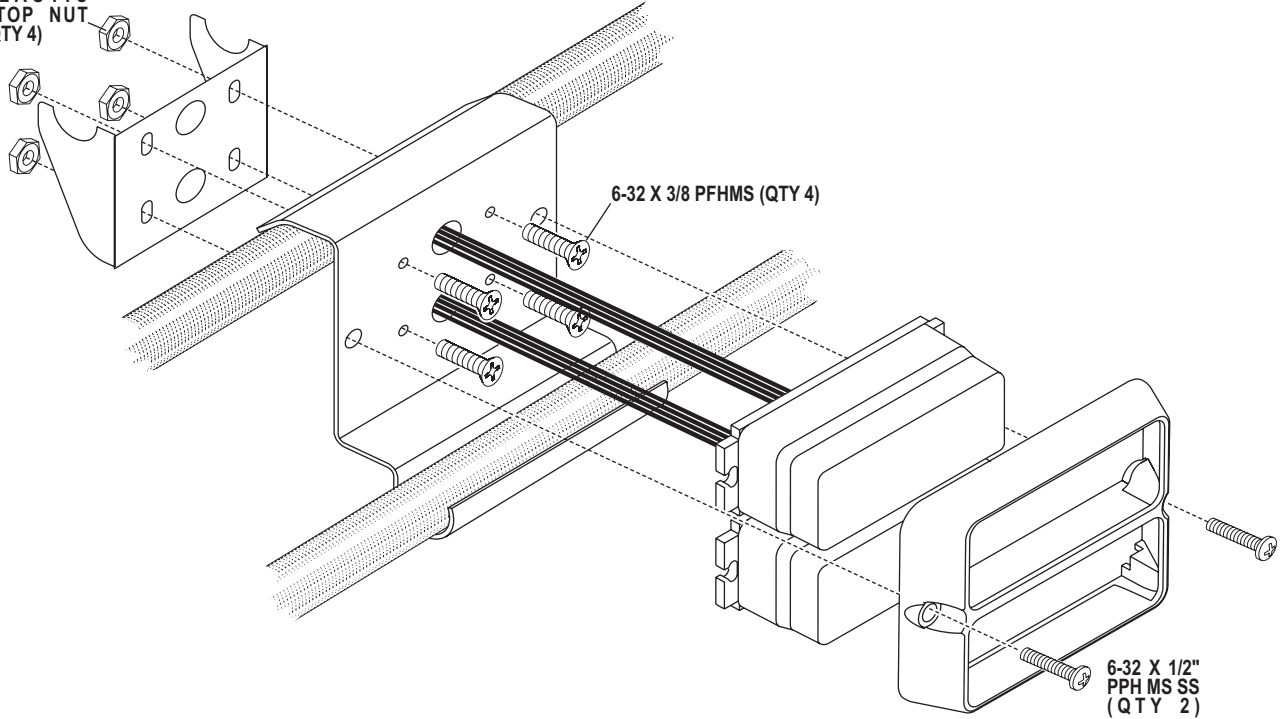
WARNING! All customer supplied wires that connect to the positive terminal of the battery must be sized to supply at least 125% of the maximum operating current and **FUSED** at the battery to carry that load. **DO NOT USE CIRCUIT BREAKERS WITH THIS PRODUCT!**



©2004 Whelen Engineering Company
Inc. Form No.13934B (060707)

For warranty information regarding this product, visit www.whelen.com/warranty

6-32 X 15/16"
ELASTIC
STOP NUT
(QTY 4)



6-32 X 15/16"
ELASTIC
STOP NUT
(QTY 4)

