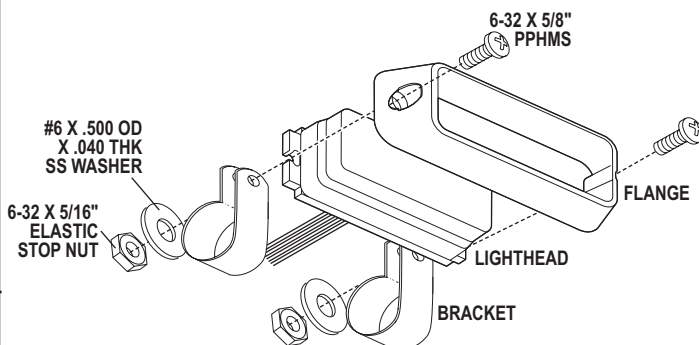
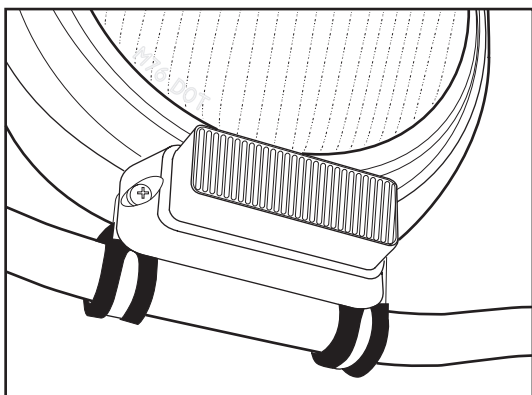


**WHELEN<sup>®</sup>**  
ENGINEERING COMPANY INC.

51 Winthrop Road,  
Chester, Connecticut 06412-0684  
Phone: (860) 526-9504  
Fax: (860) 526-4078

**Installation Guide:**  
**TIR3™ Under Headlight Bracket Model RBKTHD5**  
**Harley-Davidson® with State Police Package**

Internet: [www.whelen.com](http://www.whelen.com)  
Sales e-mail: [autosale@whelen.com](mailto:autosale@whelen.com)  
Canadian Sales e-mail: [autocan@whelen.com](mailto:autocan@whelen.com)  
Customer Service e-mail: [custserv@whelen.com](mailto:custserv@whelen.com)



**Installation:**

This bracket will install onto the front cross brace, under the headlight.

Using the supplied mounting hardware, secure the lighthead to the motorcycle following the order shown here. Extend the wires to your power source and consult your lighthead manual for wiring information.

©2004 Whelen Engineering Company  
Inc. Form No.13936B (051909)

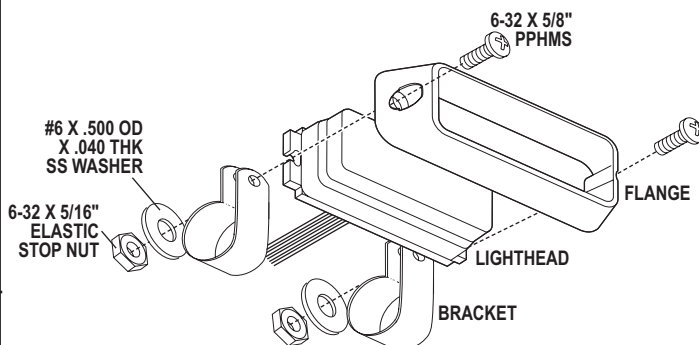
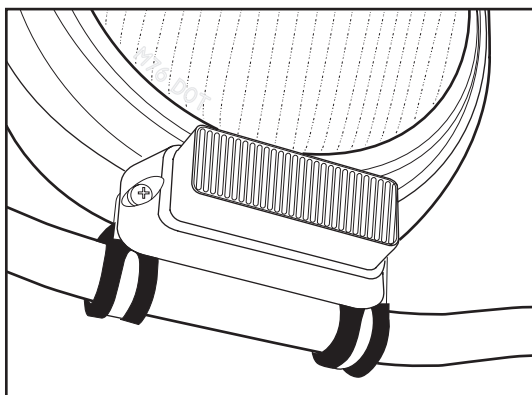
For warranty information regarding this product, visit [www.whelen.com/warranty](http://www.whelen.com/warranty)

**WHELEN<sup>®</sup>**  
ENGINEERING COMPANY INC.

51 Winthrop Road,  
Chester, Connecticut 06412-0684  
Phone: (860) 526-9504  
Fax: (860) 526-4078

**Installation Guide:**  
**TIR3™ Under Headlight Bracket Model RBKTHD5**  
**Harley-Davidson® with State Police Package**

Internet: [www.whelen.com](http://www.whelen.com)  
Sales e-mail: [autosale@whelen.com](mailto:autosale@whelen.com)  
Canadian Sales e-mail: [autocan@whelen.com](mailto:autocan@whelen.com)  
Customer Service e-mail: [custserv@whelen.com](mailto:custserv@whelen.com)



**Installation:**

This bracket will install onto the front cross brace, under the headlight.

Using the supplied mounting hardware, secure the lighthead to the motorcycle following the order shown here. Extend the wires to your power source and consult your lighthead manual for wiring information.

©2004 Whelen Engineering Company  
Inc. Form No.13936B (051909)

For warranty information regarding this product, visit [www.whelen.com/warranty](http://www.whelen.com/warranty)