

# WHELEN<sup>®</sup>

ENGINEERING COMPANY INC.

51 Winthrop Road  
Chester, Connecticut 06412-0684  
Phone: (860) 526-9504  
Fax: (860) 526-4078  
Internet: [www.whelen.com](http://www.whelen.com)  
Sales e-mail: [autosale@whelen.com](mailto:autosale@whelen.com)  
Canadian Sales e-mail: [autocan@whelen.com](mailto:autocan@whelen.com)  
Customer Service e-mail: [custserv@whelen.com](mailto:custserv@whelen.com)

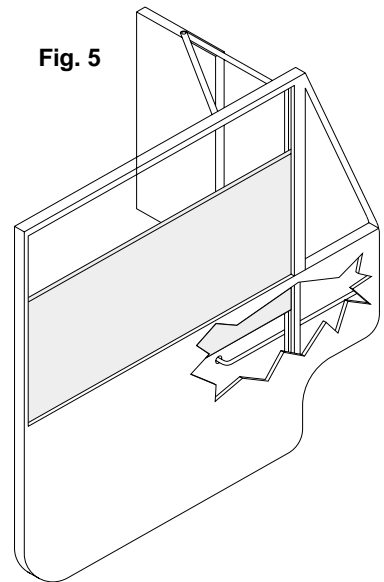
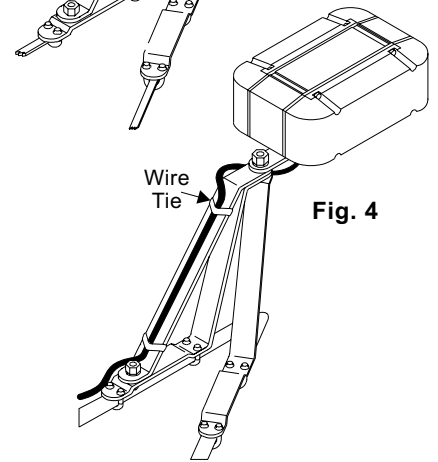
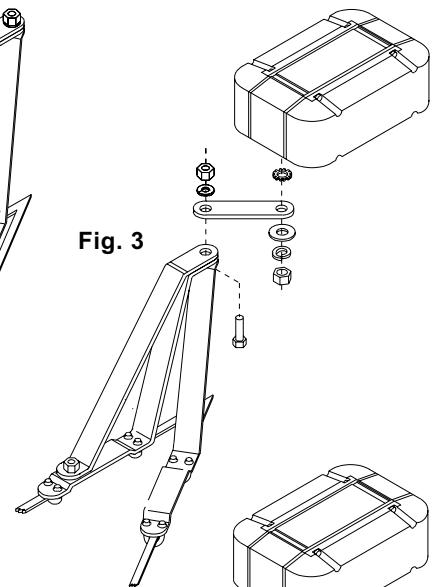
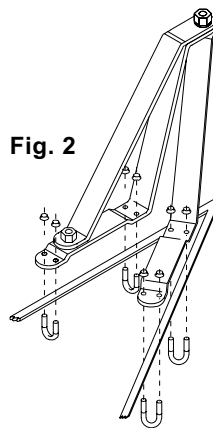
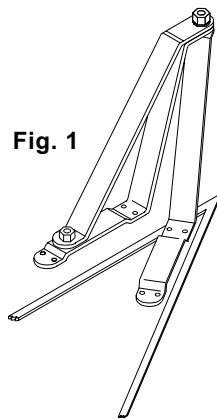
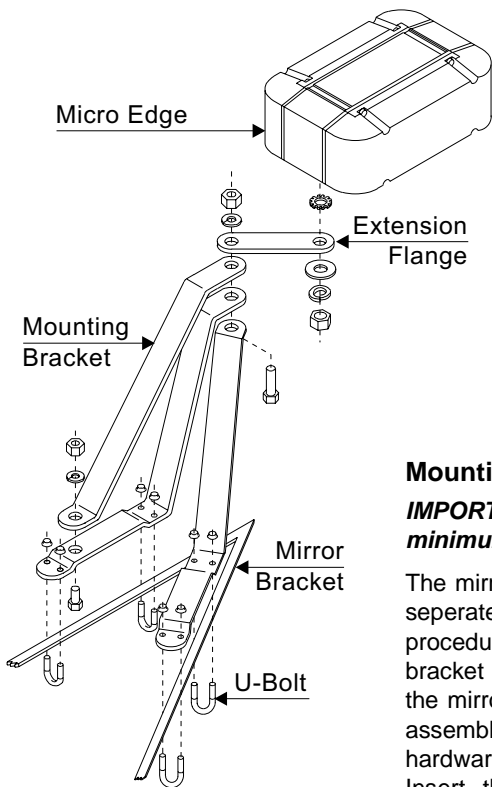
## Installation Guide: 9M Micro Edge<sup>®</sup> Strobe Lightbar

### Safety First

This document provides all the necessary information to allow your Whelen product to be properly and safely installed. Before beginning the installation and/or operation of your new product, the installation technician and operator must read this manual completely. Important information is contained herein that could prevent serious injury or damage.

- Proper installation of this product requires the installer to have a good understanding of automotive electronics, systems and procedures.
- If mounting this product requires drilling holes, the installer **MUST** be sure that no vehicle components or other vital parts could be damaged by the drilling process. Check both sides of the mounting surface before drilling begins. Also de-burr any holes and remove any metal shards or remnants. Install grommets into all wire passage holes.
- If this manual states that this product may be mounted with suction cups, magnets, tape or Velcro<sup>®</sup>, clean the mounting surface with a 50/50 mix of isopropyl alcohol and water and dry thoroughly.
- Do not install this product or route any wires in the deployment area of your air bag. Equipment mounted or located in the air bag deployment area will damage or reduce the effectiveness of the air bag, or become a projectile that could cause serious personal injury or death. Refer to your vehicle owner's manual for the air bag deployment area. The User/Installer assumes full responsibility to determine proper mounting location, based on providing ultimate safety to all passengers inside the vehicle.
- For this product to operate at optimum efficiency, a good electrical connection to chassis ground must be made. The recommended procedure requires the product ground wire to be connected directly to the **NEGATIVE (-)** battery post.
- If this product uses a remote device to activate or control this product, make sure that this control is located in an area that allows both the vehicle and the control to be operated safely in any driving condition.
- Do not attempt to activate or control this device in a hazardous driving situation.
- This product contains either strobe light(s), halogen light(s), high-intensity LEDs or a combination of these lights. Do not stare directly into these lights. Momentary blindness and/or eye damage could result.
- Use only soap and water to clean the outer lens. Use of other chemicals could result in premature lens cracking (crazing) and discoloration. Lenses in this condition have significantly reduced effectiveness and should be replaced immediately. Inspect and operate this product regularly to confirm its proper operation and mounting condition. Do not use a pressure washer to clean this product.
- It is recommended that these instructions be stored in a safe place and referred to when performing maintenance and/or reinstallation of this product.
- **FAILURE TO FOLLOW THESE SAFETY PRECAUTIONS AND INSTRUCTIONS COULD RESULT IN DAMAGE TO THE PRODUCT OR VEHICLE AND/OR SERIOUS INJURY TO YOU AND YOUR PASSENGERS!**

**For warranty information regarding this product, visit [www.whelen.com/warranty](http://www.whelen.com/warranty)**



**Mounting the Micro Edge® Strobe:**  
**IMPORTANT! The lightbar should be located a minimum of 16" from any radio antennas!**

The mirror mount brackets shown are purchased separately (see parts list). Begin the mounting procedure by loosely assembling the mounting bracket (Fig.1). Position this partial assembly on the mirror bracket as shown in Fig. 2. Mount the assembly to the mirror bracket using the U-Bolt hardware supplied with the brackets (Fig. 3). Insert the mounting bolt on the Micro Edge through the hole provided in the extension flange. Secure as shown in Fig. 3. Adjust the bracket assembly until the Micro Edge is properly aligned and tighten the bracket bolts firmly. Repeat entire procedure for the remaining door.

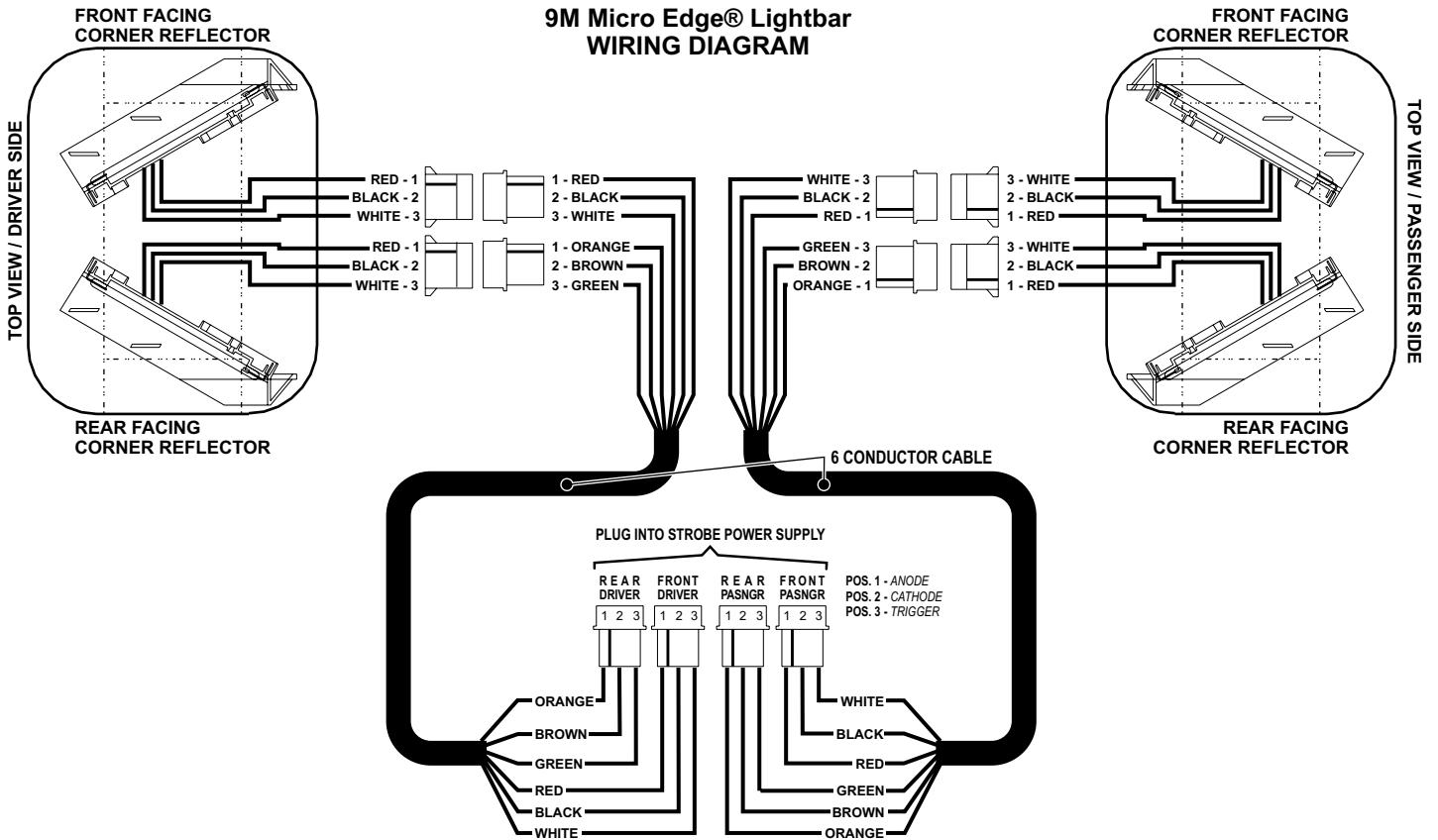
**Wiring the Micro Edge Strobe:**

**WARNING:** The strobe power supply is a high voltage device. Do not remove strobe tubes or dismantle the strobe lighthouse assembly while in operation. Wait 10 minutes after turning off power before starting any work or troubleshooting

**WARNING! All customer supplied wires that connect to the positive terminal of the battery must be sized to supply at least 125% of the maximum operating current and FUSED at the battery to carry that load. DO NOT USE CIRCUIT BREAKERS WITH THIS PRODUCT!.**

The path the harness cable follows to the power supply will vary, depending upon where the power supply has been mounted. If the power supply has been mounted against the rear cab wall, the path would be:

1. Secure harness cable to Micro Edge mounting bracket with heavy-duty wire ties (Fig. 4)
2. Now have the harness cable follow the factory mirror bracket to the point where the bracket meets the vehicle door. Secure the cable with heavy-duty wire ties.
3. Remove the interior door panel. When you are sure that no door components will be damaged, drill a hole in the door just below the point where the factory mirror bracket connects to the door. Insert a rubber grommet to prevent water leakage.
4. Insert the harness cable through the hole and route it towards the door's hinge panel. Drill a hole in the hinge panel and insert the harness cable. *Be sure that the cable does not interfere with the movement of any door or window components* (Fig. 5).
5. Route the cable into the cab through the kick panel and then under the rocker panel molding toward the back of the cab. Make sure that the harness cable does not bind up when the door is opened and closed.



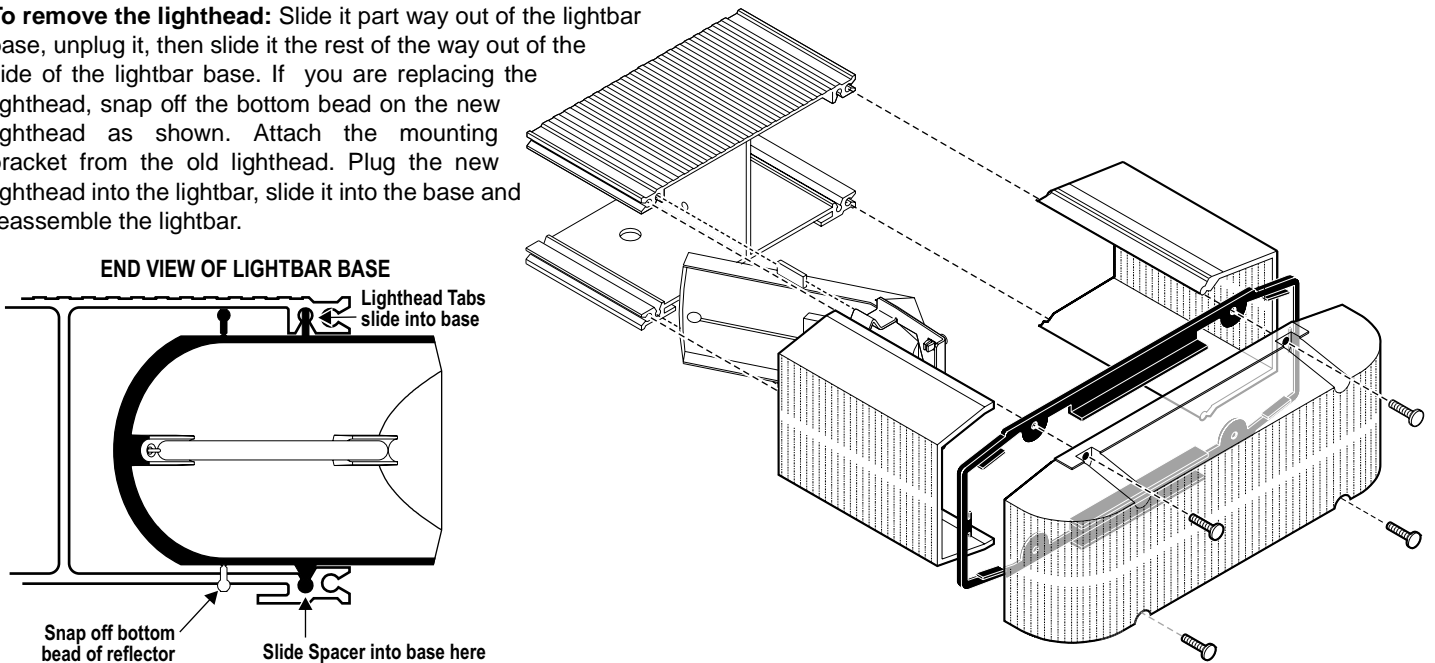
**Replacing a Strobe Assembly:**

Before working on your strobe lights, disconnect the lightbar from power and remove the endcap.

**WARNING:** The strobe light power supply is a high voltage device. Do not remove the strobe tubes or dismantle the strobe lighthoods in the system while the unit is in operation. Wait 10 minutes after turning off power before working on the system.

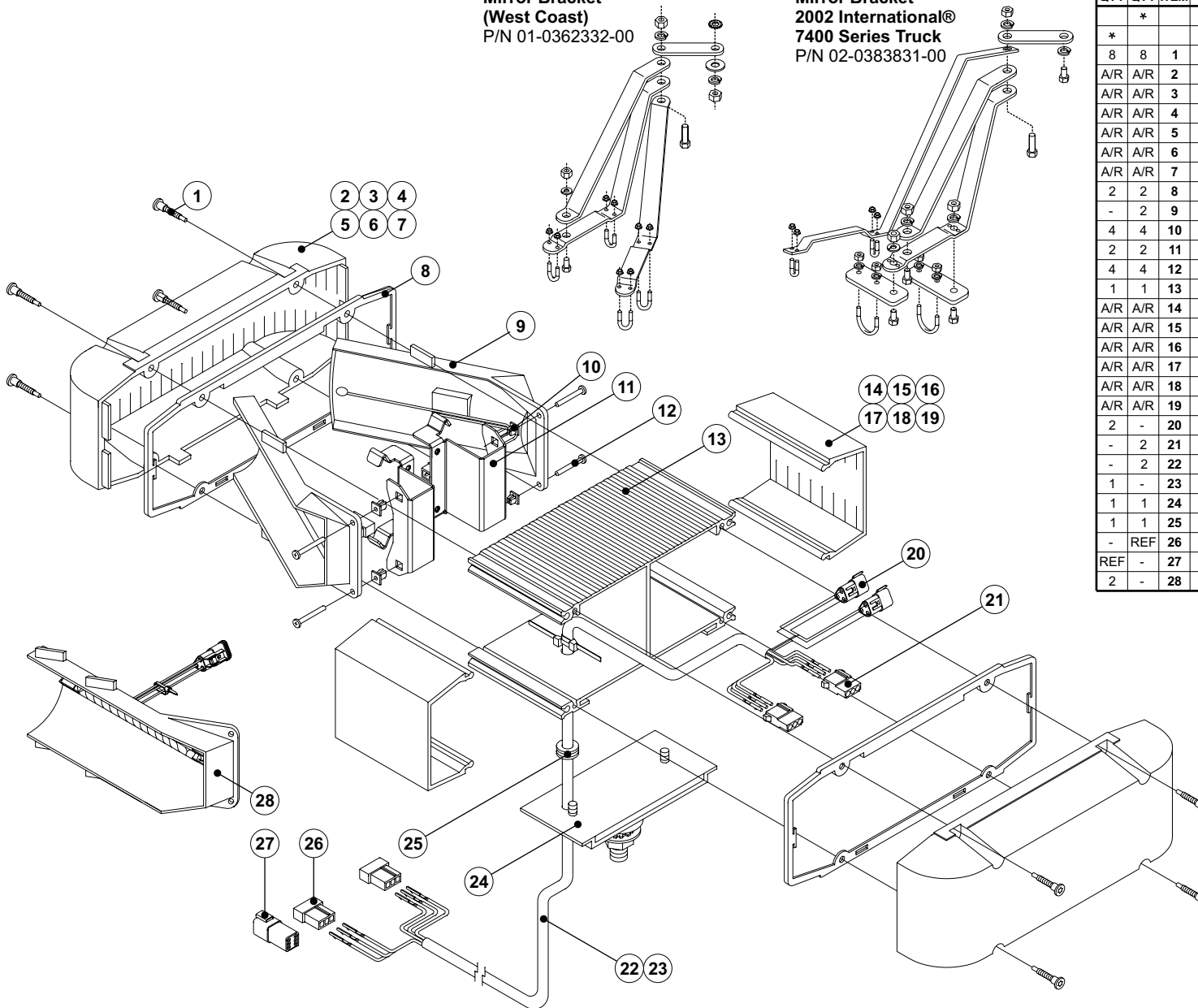
**To remove the endcap:** Remove the 4 mounting screws and pull the endcap and gasket off.

**To remove the lighthouse:** Slide it part way out of the lightbar base, unplug it, then slide it the rest of the way out of the side of the lightbar base. If you are replacing the lighthouse, snap off the bottom bead on the new lighthouse as shown. Attach the mounting bracket from the old lighthouse. Plug the new lighthouse into the lightbar, slide it into the base and reassemble the lightbar.



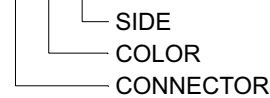
**Mirror Bracket -  
(West Coast)**  
P/N 01-0362332-00

**Mirror Bracket -  
2002 International®  
7400 Series Truck**  
P/N 02-0383831-00



QTY	QTY	ITEM	PART NUMBER	DESCRIPTION
	*		01-0283966-__	9M MICRO EDGE® / 2 / STROBE
*			01-0283966D__	9M MICRO EDGE® / 2 / STROBE
8	8	1	14-104286-16JB	10-24 x 1-1/4" TH with SHOULDER
A/R	A/R	2	68-1183707-10	ENDCAP / AMBER
A/R	A/R	3	68-1183707-20	ENDCAP / BLUE
A/R	A/R	4	68-1183707-30	ENDCAP / CLEAR
A/R	A/R	5	68-1183707-40	ENDCAP / GREEN
A/R	A/R	6	68-1183707-50	ENDCAP / RED
A/R	A/R	7	68-1183707-V0	ENDCAP / VIOLET
2	2	8	38-0261131-00	ENDCAP GASKET
-	2	9	02-0363171-00	STROBE ASSEMBLY / CORNER
4	4	10	13-062C40-16J	#6 FASTEX SCREW GROMMET
2	2	11	07-26C112-000	BRACKET / CORNER
4	4	12	15-065419-080	SCREW / #6 X 1/2 PLASTI-LOK
1	1	13	11-342978-000	EXTRUDED BASE 4"
A/R	A/R	14	68-1183491A16	LENS / AMBER 4"
A/R	A/R	15	68-1183491B16	LENS / BLUE 4"
A/R	A/R	16	68-1183491C16	LENS / CLEAR 4"
A/R	A/R	17	68-1183491G16	LENS / GREEN 4"
A/R	A/R	18	68-1183491R16	LENS / RED 4"
A/R	A/R	19	68-1183491V16	LENS / VIOLET 4"
2	-	20	39-1H03014-35	3 PIN DEUTSCH
-	2	21	39-0403023-04	AMP 3 SOCKET CONNECTOR
-	2	22	46-0742508-20	CABLE ASSEMBLY 20'
1	-	23	46-0742508-00	CABLE / 6-CONDUCTOR / 20'
1	1	24	02-038132309S	MOUNTING BRACKET ASSEMBLY
1	1	25	21-11121602-0	1/2" GROMMET
-	REF	26	39-0403013-04	AMP 3 PIN CONNECTOR
REF	-	27	39-1H06014-35	6 PIN DEUTSCH
2	-	28	02-0363171-01	CORNER LINEAR (DEUTSCH)

**PART NUMBER KEY:**  
01-0283966



**CONNECTOR**  
- = AMP  
D = DEUTSCH

**COLOR**  
A = AMBER  
B = BLUE  
C = CLEAR  
G = GREEN  
R = RED  
V = VIOLET

**SIDE**  
D = DRIVER  
P = PASSENGER