

WHELEN[®]

ENGINEERING COMPANY INC.

51 Winthrop Road
Chester, Connecticut 06412-0684
Phone: (860) 526-9504
Fax: (860) 526-4078
Internet: www.whelen.com
Sales e-mail: autosale@whelen.com
Canadian Sales e-mail: autocan@whelen.com
Customer Service e-mail: custserv@whelen.com

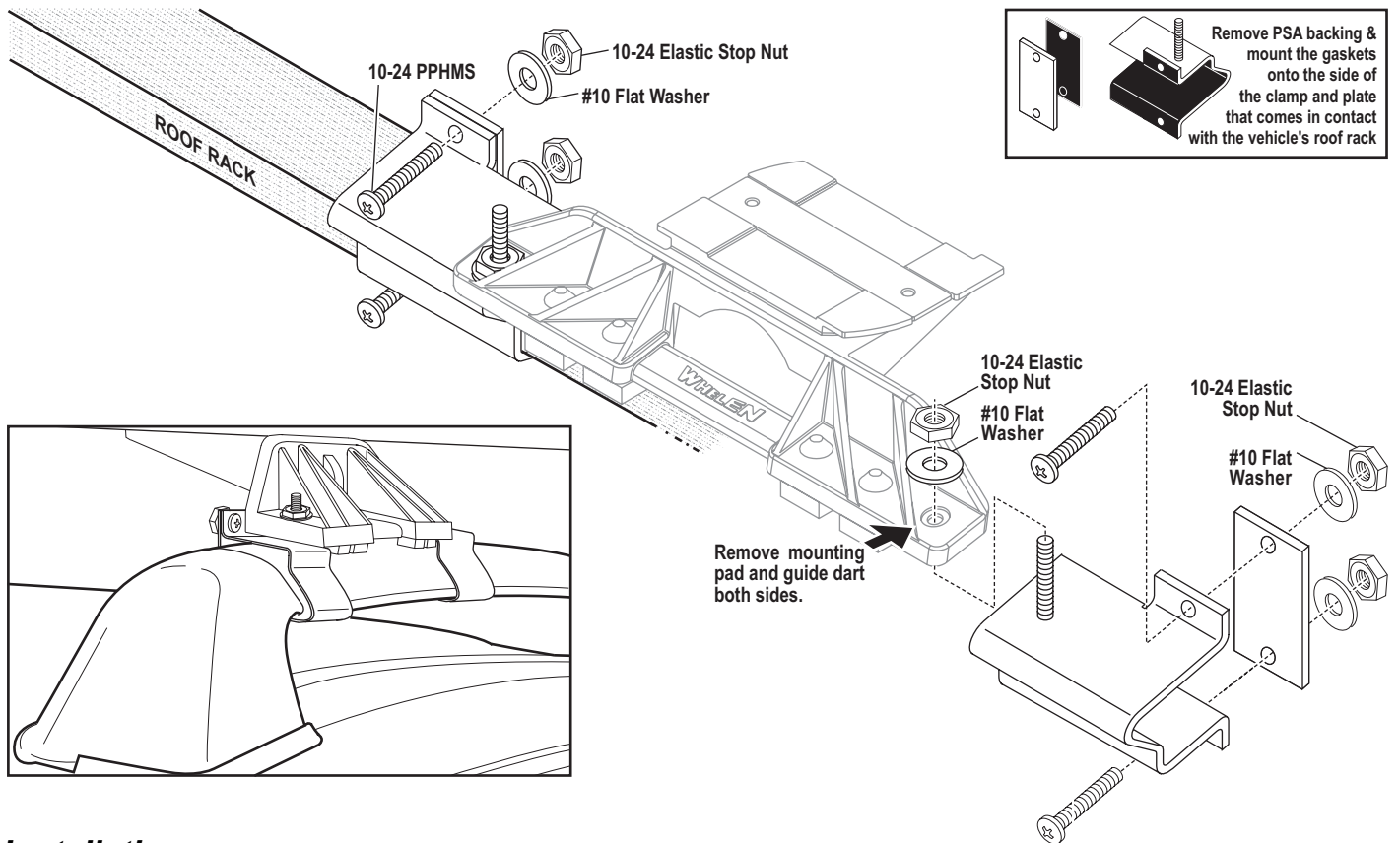
Installation Guide: Lightbar Roof Rack Mount Suzuki Grand Vitara

Safety First

This document provides all the necessary information to allow your Whelen product to be properly and safely installed. Before beginning the installation and/or operation of your new product, the installation technician and operator must read this manual completely. Important information is contained herein that could prevent serious injury or damage.

- Proper installation of this product requires the installer to have a good understanding of automotive electronics, systems and procedures.
- If mounting this product requires drilling holes, the installer **MUST** be sure that no vehicle components or other vital parts could be damaged by the drilling process. Check both sides of the mounting surface before drilling begins. Also de-burr any holes and remove any metal shards or remnants. Install grommets into all wire passage holes.
- If this manual states that this product may be mounted with suction cups, magnets, tape or Velcro[®], clean the mounting surface with a 50/50 mix of isopropyl alcohol and water and dry thoroughly.
- Do not install this product or route any wires in the deployment area of your air bag. Equipment mounted or located in the air bag deployment area will damage or reduce the effectiveness of the air bag, or become a projectile that could cause serious personal injury or death. Refer to your vehicle owner's manual for the air bag deployment area. The User/Installer assumes full responsibility to determine proper mounting location, based on providing ultimate safety to all passengers inside the vehicle.
- For this product to operate at optimum efficiency, a good electrical connection to chassis ground must be made. The recommended procedure requires the product ground wire to be connected directly to the **NEGATIVE (-)** battery post.
- If this product uses a remote device to activate or control this product, make sure that this control is located in an area that allows both the vehicle and the control to be operated safely in any driving condition.
- Do not attempt to activate or control this device in a hazardous driving situation.
- This product contains either strobe light(s), halogen light(s), high-intensity LEDs or a combination of these lights. Do not stare directly into these lights. Momentary blindness and/or eye damage could result.
- Use only soap and water to clean the outer lens. Use of other chemicals could result in premature lens cracking (crazing) and discoloration. Lenses in this condition have significantly reduced effectiveness and should be replaced immediately. Inspect and operate this product regularly to confirm its proper operation and mounting condition. Do not use a pressure washer to clean this product.
- It is recommended that these instructions be stored in a safe place and referred to when performing maintenance and/or reinstallation of this product.
- **FAILURE TO FOLLOW THESE SAFETY PRECAUTIONS AND INSTRUCTIONS COULD RESULT IN DAMAGE TO THE PRODUCT OR VEHICLE AND/OR SERIOUS INJURY TO YOU AND YOUR PASSENGERS!**

For warranty information regarding this product, visit www.whelen.com/warranty



Installation:

IMPORTANT! The lightbar should be located a minimum of 16" from any radio antennas!

This mounting clamp will mount to your Grand Vitara's roof rack using the supplied mounting hardware. The lightbars mounting foot will mount to the bracket. It is recommended that two people do the installation as you will need to adjust both sides of the brackets and feet once it is on the vehicle.

1. First mount the two mounting feet onto the lightbar as shown in the instructions included with the lightbar. Do not fully tighten the mounting hardware as it will need to be adjusted once it is on the vehicle. You will also need to remove the two outer rubber pads and their guide darts from both feet to accommodate the bracket.
2. Mount the supplied gaskets to both the clamp(s) and bracket(s). The gasket should be applied to the side of the bracket that comes in contact with the vehicle as shown above.
3. Mount both brackets to the roof rack as shown and secure them loosely enough so they slide back and forth so you can adjust them later. The brackets should be mounted as far forward (toward the front of the vehicle) as possible, but not past the seam on the roof rack. Also be sure that the brackets are both mounted the same distance from the front of the vehicle.
4. Now take the lightbar (with both mounting feet loosely mounted to it) and place it onto the brackets so the bolt head on the bracket goes through the hole in the mounting foot that you removed the guide darts from.
5. Adjust both the brackets and mounting feet to the desired mounting position (refer to the manual that comes with the lightbar for any warnings on positioning the lightbar) then secure the mounting feet to the lightbar.
6. Adjust the two brackets so they are in the desired mounting position and tighten the brackets mounting hardware to secure them to the roof rack. **IMPORTANT: Be sure to tighten the bracket mounting hardware enough to secure the brackets firmly, but be careful not to over tighten and damage the roof rack.**