

# WHELEN<sup>®</sup>

ENGINEERING COMPANY INC.

51 Winthrop Road  
Chester, Connecticut 06412-0684  
Phone: (860) 526-9504  
Fax: (860) 526-4078  
Internet: [www.whelen.com](http://www.whelen.com)  
Sales e-mail: [autosale@whelen.com](mailto:autosale@whelen.com)  
Canadian Sales e-mail: [autocan@whelen.com](mailto:autocan@whelen.com)  
Customer Service e-mail: [custserv@whelen.com](mailto:custserv@whelen.com)

## Installation Guide: LFL Liberty™ Mini Edge<sup>®</sup> (Special)

### Safety First

This document provides all the necessary information to allow your Whelen product to be properly and safely installed. Before beginning the installation and/or operation of your new product, the installation technician and operator must read this manual completely. Important information is contained herein that could prevent serious injury or damage.

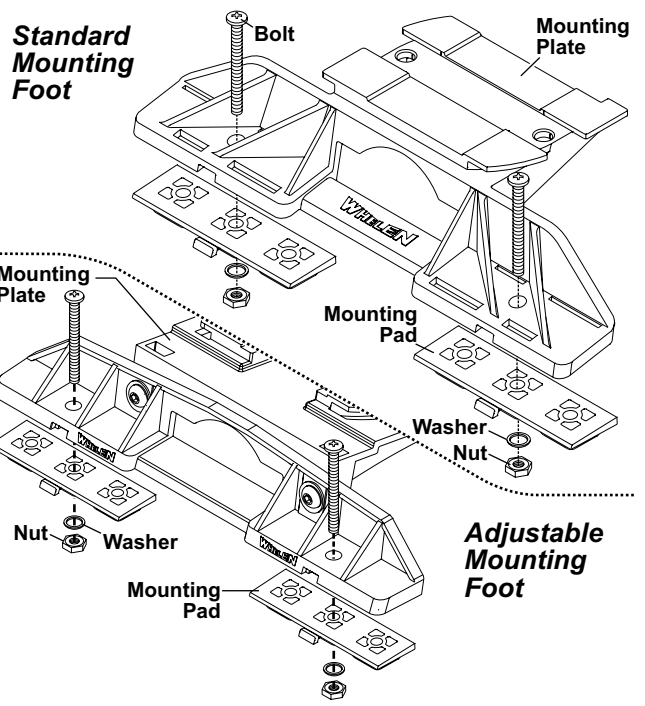
- Proper installation of this product requires the installer to have a good understanding of automotive electronics, systems and procedures.
- If mounting this product requires drilling holes, the installer **MUST** be sure that no vehicle components or other vital parts could be damaged by the drilling process. Check both sides of the mounting surface before drilling begins. Also de-burr any holes and remove any metal shards or remnants. Install grommets into all wire passage holes.
- If this manual states that this product may be mounted with suction cups, magnets, tape or Velcro<sup>®</sup>, clean the mounting surface with a 50/50 mix of isopropyl alcohol and water and dry thoroughly.
- Do not install this product or route any wires in the deployment area of your air bag. Equipment mounted or located in the air bag deployment area will damage or reduce the effectiveness of the air bag, or become a projectile that could cause serious personal injury or death. Refer to your vehicle owner's manual for the air bag deployment area. The User/Installer assumes full responsibility to determine proper mounting location, based on providing ultimate safety to all passengers inside the vehicle.
- For this product to operate at optimum efficiency, a good electrical connection to chassis ground must be made. The recommended procedure requires the product ground wire to be connected directly to the **NEGATIVE (-)** battery post.
- If this product uses a remote device to activate or control this product, make sure that this control is located in an area that allows both the vehicle and the control to be operated safely in any driving condition.
- Do not attempt to activate or control this device in a hazardous driving situation.
- This product contains either strobe light(s), halogen light(s), high-intensity LEDs or a combination of these lights. Do not stare directly into these lights. Momentary blindness and/or eye damage could result.
- Use only soap and water to clean the outer lens. Use of other chemicals could result in premature lens cracking (crazing) and discoloration. Lenses in this condition have significantly reduced effectiveness and should be replaced immediately. Inspect and operate this product regularly to confirm its proper operation and mounting condition. Do not use a pressure washer to clean this product.
- It is recommended that these instructions be stored in a safe place and referred to when performing maintenance and/or reinstallation of this product.
- **FAILURE TO FOLLOW THESE SAFETY PRECAUTIONS AND INSTRUCTIONS COULD RESULT IN DAMAGE TO THE PRODUCT OR VEHICLE AND/OR SERIOUS INJURY TO YOU AND YOUR PASSENGERS!**

**For warranty information regarding this product, visit [www.whelen.com/warranty](http://www.whelen.com/warranty)**

**IMPORTANT! The lightbar should be a minimum of 16" from any radio antennas!**

**Permanent Mounting:**

1. Locate the mounting foot and mounting plate included with your lightbar. If not already present, install the mounting plate onto the mounting foot. When properly positioned, this plate is centered from side-to-side on the mounting foot.
2. Flip the lightbar upside-down to expose the bottom of the extrusion and place the mounting foot onto the extrusion.
3. Rotate the mounting foot 90° in a counter-clockwise direction. Make sure that the edges of the mounting foot swing into position under the extrusion mounting lip.
4. Repeat this procedure for the remaining mounting foot and return the lightbar to its right side-up position.
5. Position the lightbar onto the vehicle roof in the desired mounting location. One often selected location is directly above the B-pillars. This area is the strongest part of the roof. Refer to your lightbar manual for cable exit location, to be sure that the lightbar is facing the proper direction.
6. Adjust the two mounting feet outwards so that they are as close to the edge of the roof as possible. Make sure that both mounting feet are in full contact with the roof. Be sure that there is no less than 1/2" clearance between the roof and the lightbar at their closest point. When the mounting feet are in their proper position, lightly tighten the mounting foot allen head set screws.
7. Turn the lightbar upside-down and firmly tighten all of the set screws from step 6 (2 or 4 per side).
8. Note that on the adjustable foot, use the hole in the pad as a guide to drill the two holes into the mounting foot at the locations shown.



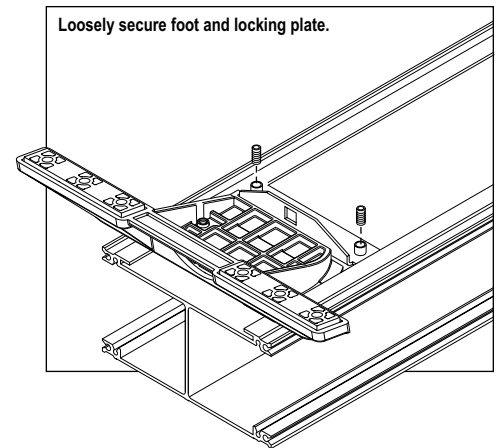
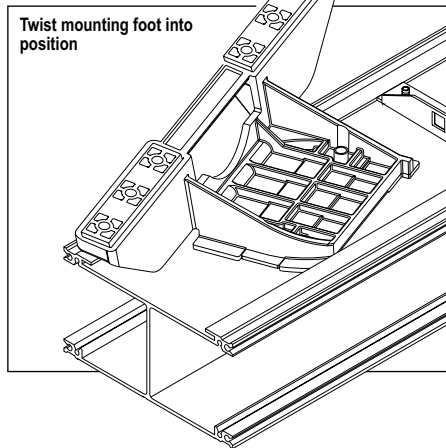
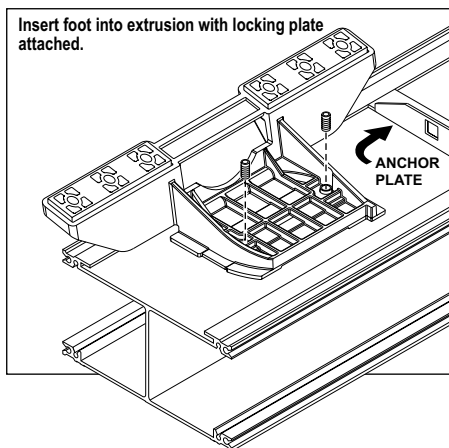
9. Place the lightbar in its final mounting position on the vehicle, mark the mounting hole locations off onto the mounting surface, remove the lightbar and drill the mounting holes.
10. Place the lightbar back onto the vehicle lined up with the mounting holes and secure the mounting feet to the vehicle using the supplied hardware as shown.

**Strap Mounting:**

1. Locate the mounting foot, mounting plate and tinnerman plate included with your lightbar. If not already present, install the mounting plate onto the mounting foot. When properly positioned, this plate is centered from side-to-side on the mounting foot.
2. Flip the lightbar upside-down to expose the bottom of the extrusion and place the mounting foot onto the extrusion.
3. Rotate the mounting foot 90° in a counter-clockwise direction. Make sure that the edges of the mounting foot swing into position under the extrusion mounting lip. Install a tinnerman plate onto the extrusion in the same manner.
4. Repeat this procedure for the remaining mounting foot and tinnerman plate and return the lightbar to its right side-up position.
5. Position the lightbar onto the vehicle roof in the desired mounting location. One often selected location is directly above the B-pillars. This area is the

strongest part of the roof. Refer to your lightbar manual for cable exit location, to be sure that the lightbar is facing the proper direction.

6. Adjust the two mounting feet outwards so that they are as close to the edge of the roof as possible. Both mounting feet must be in full contact with the roof. Be sure that there is no less than 1/2" clearance between the roof and the lightbar at their closest point. When the mounting feet are in their proper position, lightly tighten the mounting foot allen head set screws.
7. Return the lightbar to an upside-down position. Slide each tinnerman plate outwards until it is fully engaged with its corresponding mounting foot. With the mounting feet and tinnerman plates in their proper positions firmly tighten all of the set screws (2 or 4 per side). Flip the lightbar right side-up and return it to its mounting position.
8. Open both drivers side doors. In the area directly below the mounting foot, carefully pull the drivers side weatherstrip away from the vehicle. Remove enough so that the area where the mounting strap will be secured to the vehicle is exposed. Repeat procedure for passenger side.

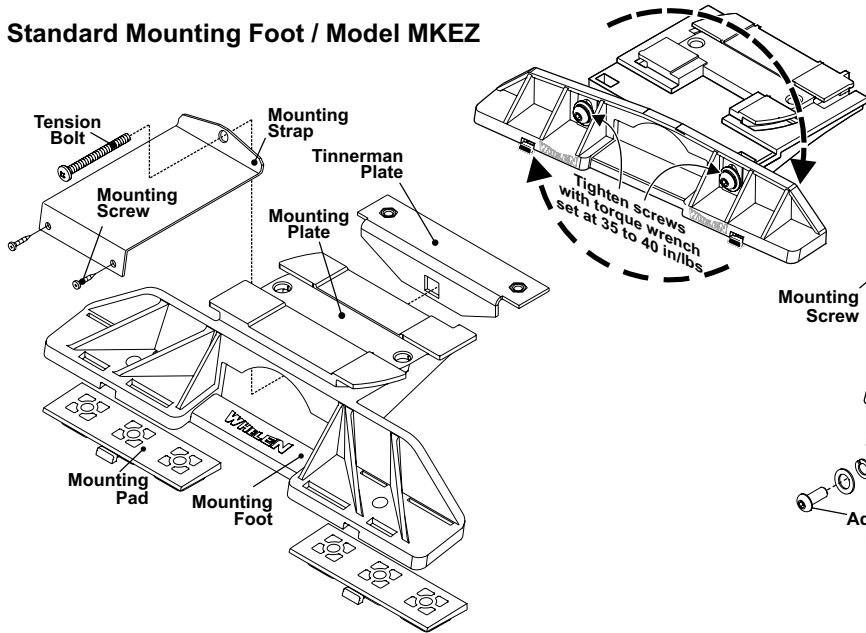


9. Insert the mounting strap through the mounting foot. Be sure that the strap fits flush against the area where it will be secured onto the vehicle. Insert the tension bolt through the mounting strap and into the tinnerman nut on the tinnerman plate. Tighten slightly with a long shafted, Phillips screwdriver. Repeat procedure for passenger side.
10. If your mounting strap has mounting holes in the end of the strap, use these holes as a template to drill appropriately sized pilot holes through the strap and into the vehicle. Repeat for passenger side of the vehicle.
11. Firmly tighten the tension bolts to secure the lightbar to the vehicle.

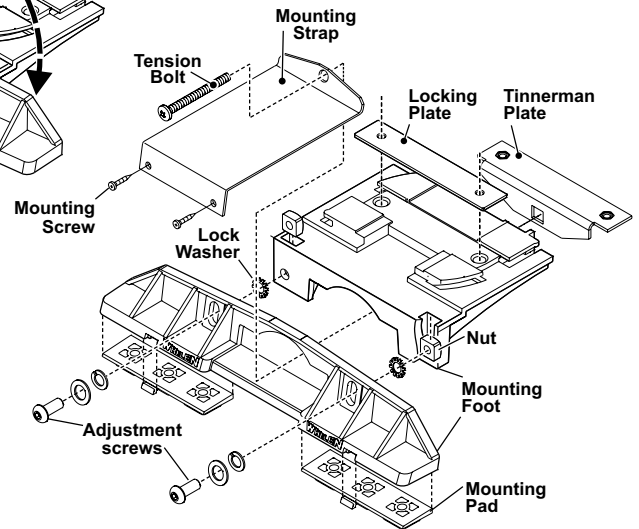
**NOTE: Model MKAJ is an adjustable mounting foot. On this model you may loosen the screws on the rear of the foot and adjust the angle of the lightbar. This feature can be used if the angle of the roof is not level with the road.**

**IMPORTANT: To adjust the leveling screws you must use a torque wrench set at 35 to 40 in./lbs.**

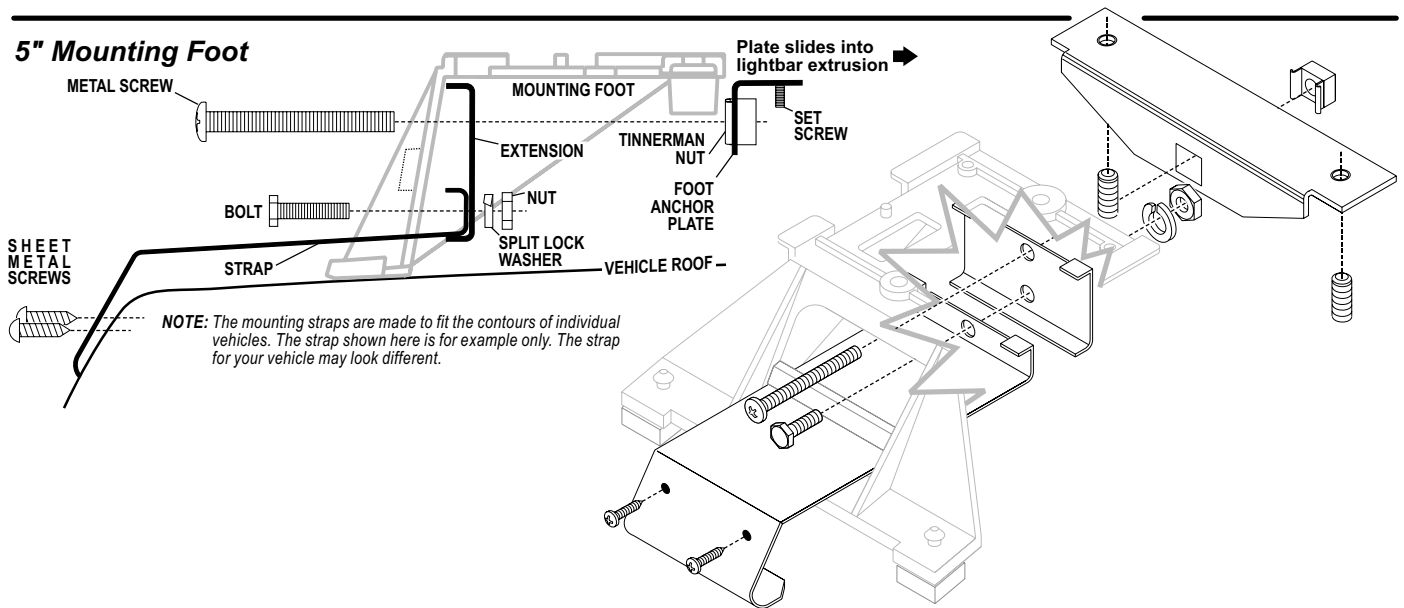
### Standard Mounting Foot / Model MKEZ



### Adjustable Mounting Foot / Model MKAJ



### 5" Mounting Foot



### Mounting (Magnetic):

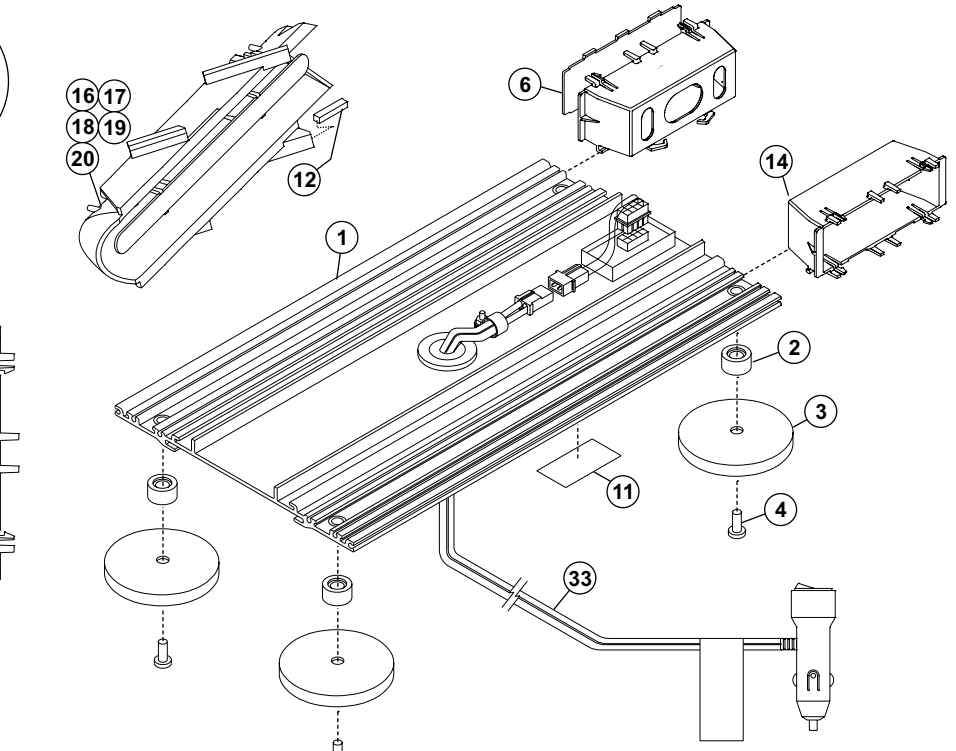
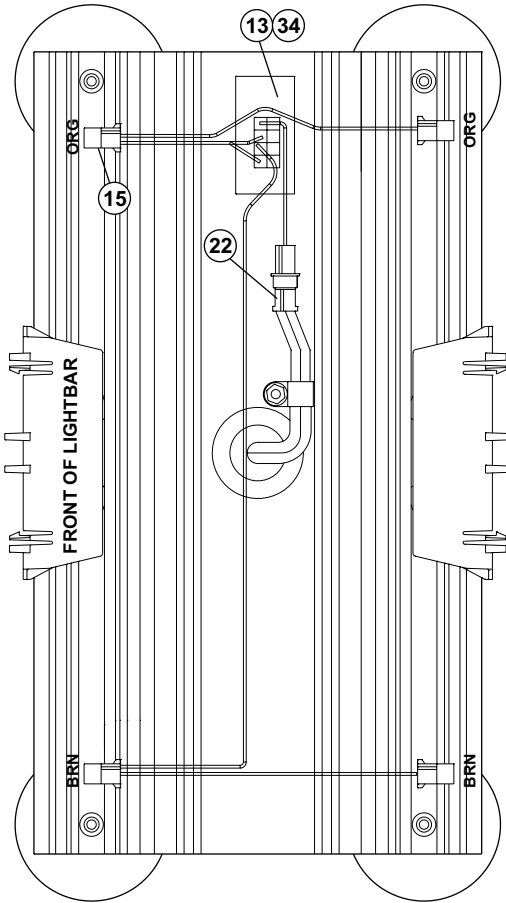
**WARNING: Magnetically mounted devices affixed to the outside of a moving vehicle may fly off! This will not only damage the unit, but could damage other vehicles or could cause serious injury to bystanders! The presence of a magnetically mounted device on the outside of a vehicle in motion is NOT RECOMMENDED and is the sole responsibility of the user.**

### Wiring:

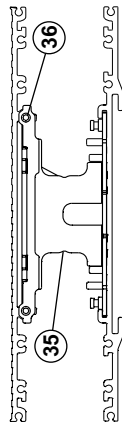
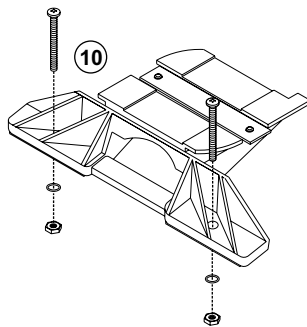
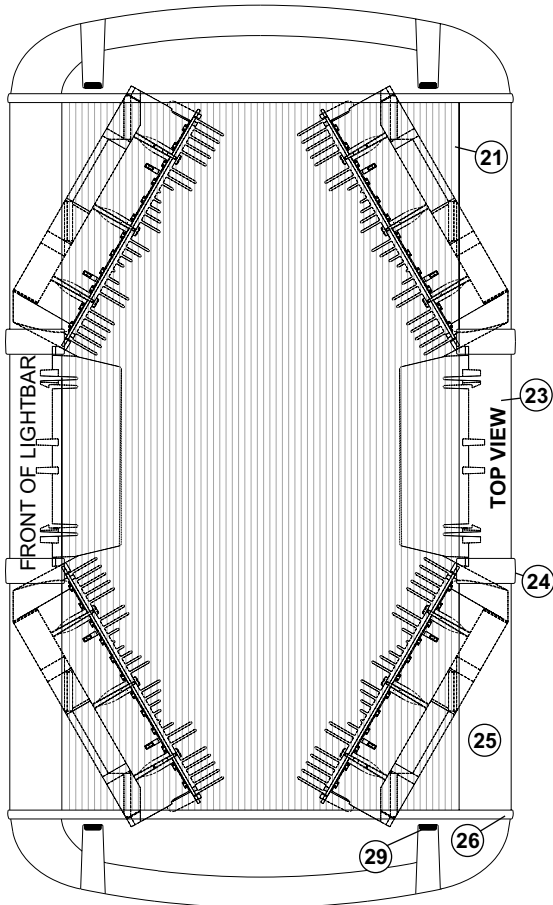
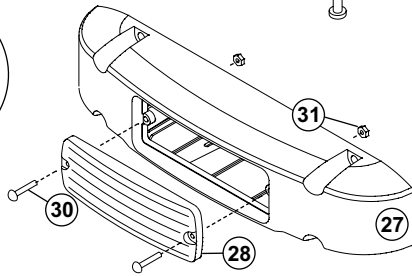
This product comes equipped with a cigar plug cord. If this product is to be permanently wired, this cigar plug must be cut off.

1. Extend the smooth wire to a SP/ST switch. From the switch, extend this wire to +12VDC. Fuse this wire at 3A.
2. Using appropriately sized wire, extend the ribbed wire to chassis ground.

**WARNING! All customer supplied wires that connect to the positive terminal of the battery must be sized to supply at least 125% of the maximum operating current and FUSED at the battery to carry that load. DO NOT USE CIRCUIT BREAKERS WITH THIS PRODUCT!**



**IMPORTANT WARNING!**  
**CAUTION! DO NOT LOOK DIRECTLY AT THESE LEDS WHILE THEY ARE ON. MOMENTARY BLINDNESS AND/OR EYE DAMAGE COULD RESULT!**



QTY	QTY	ITEM	PART NUMBER	DESCRIPTION
*	*		01-0684311-( )	PERM MT (Liberty™) 4 LED CORNERS ONLY
*	*		01-0684311-( )	MAG MT (Liberty™) 4 LED CORNERS ONLY
1	1	1	11-363336-017	BASE EXTRUSION
4	-	2	08-0640834-01	MOUNTING PAD
4	-	3	65-0010192-00	MAGNET X-80
4	-	4	14-130216-100	1/4-20 x 5/8" PPHMS
A/R	-	5	66-0715403-00	THREADLOCKER, LOCTITE 242
2	2	6	09-1363542-00	FILLER PANEL, 500 SERIES
1	1	7	21-11245004-1	GROMMET, 1.562"
1	1	8	14-104216-080	SCREW, 10-24 x 1/2" PPHMS
1	1	9	13-104111-063	#10-24 WHIZ NUT
-	1	10	01-0483969007	MOUNTING KIT 7S
1	1	11	10-0522960-00	LABEL, MODEL & SERIAL NO.
4	4	12	20-0042765-00	SPACER, CORNER RETENTION
1	1	13	01-0269936-00	FLASHER, LIGHTBAR LED
2	2	14	11-483564-000	HOUSING, LIGHTHEAD (SNAP-IN)
1	1	15	46-0764187-00	HARNESS, IN/OUT LED FLASHER
A/R	A/R	16	01-026B625910	CORNER LINEAR (9) LED - AMBER
A/R	A/R	17	01-026B625920	CORNER LINEAR (9) LED - BLUE
A/R	A/R	18	01-026B625930	CORNER LINEAR (9) LED - WHITE
A/R	A/R	19	01-026B625940	CORNER LINEAR (9) LED - GREEN
A/R	A/R	20	01-026B625950	CORNER LINEAR (9) LED - RED
1	1	21	11-26B607-017	TOP EXTRUSION
1	1	22	39-0402023-04	HOUS, 2 POSITION SOCKET CMNL
2	2	23	68-1983818-30	LENS, 5-1/16" (CLEAR)
4	4	24	02-0342791-30	ASSY., LENS DIVIDER
4	4	25	68-1983819-30	LENS, 5-1/16" (CLEAR)
2	2	26	38-0283572-00	GASKET, ENDCAP
2	2	27	68-1183566-3S	LENS, ENDCAP (CLEAR) W/SEAL
2	2	28	68-1963237-30	LENS, 500 SERIES OPTIC (CLEAR)
8	8	29	14-104286-16J	#10-24 x 1-1/4" TX. PHD. W/SHLDR
4	4	30	14-062216-100	#6-32 x 5/8" PPHMS
4	4	31	13-062120-052	#6-32 ELASTIC STOP NUT
1	1	32	26-0115037-04	CABLE CLAMP, 1/4"
1	1	33	02-0363623-01	INPUT CABLE ASSY. W/CIGAR PLUG
1	1	34	66-0421074-00	TAPE, DOUBLE SIDED
2	2	35	02-036B855-00	SUB ASSY, END SUPPORT BRACKET
4	4	36	14-0023347-00	SCREW, 10-24 X 1.25 TX PHD SWEDGE