

WHELEN[®]

ENGINEERING COMPANY INC.

51 Winthrop Road
Chester, Connecticut 06412-0684
Phone: (860) 526-9504
Fax: (860) 526-4078
Internet: www.whelen.com
Sales e-mail: autosale@whelen.com
Canadian Sales e-mail: autocan@whelen.com
Customer Service e-mail: custserv@whelen.com

Installation Guide: Towman's™ Series California Special Model(s): FL0TCA10, FL0TCA12

Safety First

This document provides all the necessary information to allow your Whelen product to be properly and safely installed. Before beginning the installation and/or operation of your new product, the installation technician and operator must read this manual completely. Important information is contained herein that could prevent serious injury or damage.

- Proper installation of this product requires the installer to have a good understanding of automotive electronics, systems and procedures.
- If mounting this product requires drilling holes, the installer **MUST** be sure that no vehicle components or other vital parts could be damaged by the drilling process. Check both sides of the mounting surface before drilling begins. Also de-burr any holes and remove any metal shards or remnants. Install grommets into all wire passage holes.
- If this manual states that this product may be mounted with suction cups, magnets, tape or Velcro®, clean the mounting surface with a 50/50 mix of isopropyl alcohol and water and dry thoroughly.
- Do not install this product or route any wires in the deployment area of your air bag. Equipment mounted or located in the air bag deployment area will damage or reduce the effectiveness of the air bag, or become a projectile that could cause serious personal injury or death. Refer to your vehicle owner's manual for the air bag deployment area. The User/Installer assumes full responsibility to determine proper mounting location, based on providing ultimate safety to all passengers inside the vehicle.
- For this product to operate at optimum efficiency, a good electrical connection to chassis ground must be made. The recommended procedure requires the product ground wire to be connected directly to the **NEGATIVE (-)** battery post.
- If this product uses a remote device to activate or control this product, make sure that this control is located in an area that allows both the vehicle and the control to be operated safely in any driving condition.
- Do not attempt to activate or control this device in a hazardous driving situation.
- This product contains either strobe light(s), halogen light(s), high-intensity LEDs or a combination of these lights. Do not stare directly into these lights. Momentary blindness and/or eye damage could result.
- Use only soap and water to clean the outer lens. Use of other chemicals could result in premature lens cracking (crazing) and discoloration. Lenses in this condition have significantly reduced effectiveness and should be replaced immediately. Inspect and operate this product regularly to confirm its proper operation and mounting condition. Do not use a pressure washer to clean this product.
- It is recommended that these instructions be stored in a safe place and referred to when performing maintenance and/or reinstallation of this product.
- **FAILURE TO FOLLOW THESE SAFETY PRECAUTIONS AND INSTRUCTIONS COULD RESULT IN DAMAGE TO THE PRODUCT OR VEHICLE AND/OR SERIOUS INJURY TO YOU AND YOUR PASSENGERS!**

For warranty information regarding this product, visit www.whelen.com/warranty

Mounting your Lightbar:

IMPORTANT! The lightbar should be located a minimum of 16" from any radio antennas!

This lightbar mounts with 1/2" bolts, affixed to mounting plates that slide into the track on the bottom of the lightbar base. Figures 1 and 1a show how the slide bolt assembly slides into your lightbar's base and mounts onto the vehicle. Use an appropriately sized drill bit sized for a 1/2" bolt to drill the mounting holes. When you secure the slide bolts to the bottom of the lightbar base, be sure the outside bolts are spaced far enough apart and near enough to the ends of the vehicle roof.

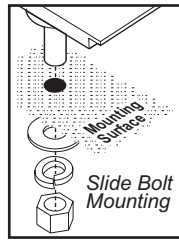


Fig. 1 / Slide Bolt Mount:

1. Remove one lightbar endcap.
2. Insert slide bolts into base, slide them across to their mounting position and secure with set screws.
3. Position the lightbar onto the vehicle and mark the bolt hole locations on the mounting surface.
4. Drill the bolt holes using an appropriately sized drill bit.
5. Replace end cap and insert bolts into their mounting holes and secure the lightbar with supplied hardware.

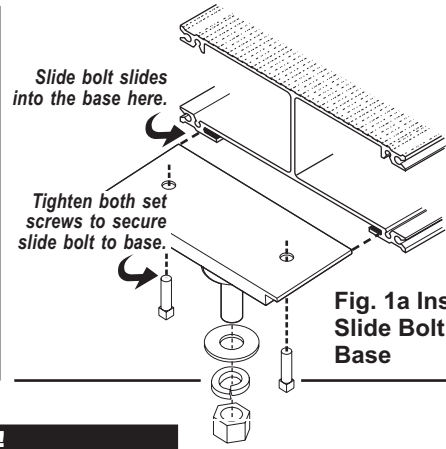


Fig. 1a Inserting Slide Bolt into Base

IMPORTANT WARNING!

CAUTION! DO NOT LOOK DIRECTLY AT THESE LED'S WHILE THEY ARE ON. MOMENTARY BLINDNESS AND/OR EYE DAMAGE COULD RESULT!

Lightbar Cables:

This lightbar uses a 3-conductor cable for LEDs, a 6 conductor cable for HALOGEN and a 4-conductor cable for BRAKE/TAIL lights. Extend the 3 and 6 conductor cables towards your switch panel. The instructions included with your switches will provide switch wiring information. The 4 conductor cable connects to your brake light. There is a 2 conductor cable for Scan-Lock™ (flash pattern selection).

WARNING! All Customer supplied wires that connect to the positive terminal of the battery, must be sized to supply at least 125% of the maximum operating current and FUSED at the battery to carry that load. DO NOT USE CIRCUIT BREAKERS WITH THIS PRODUCT!

Scan-Lock™ / Flash Pattern Selection:

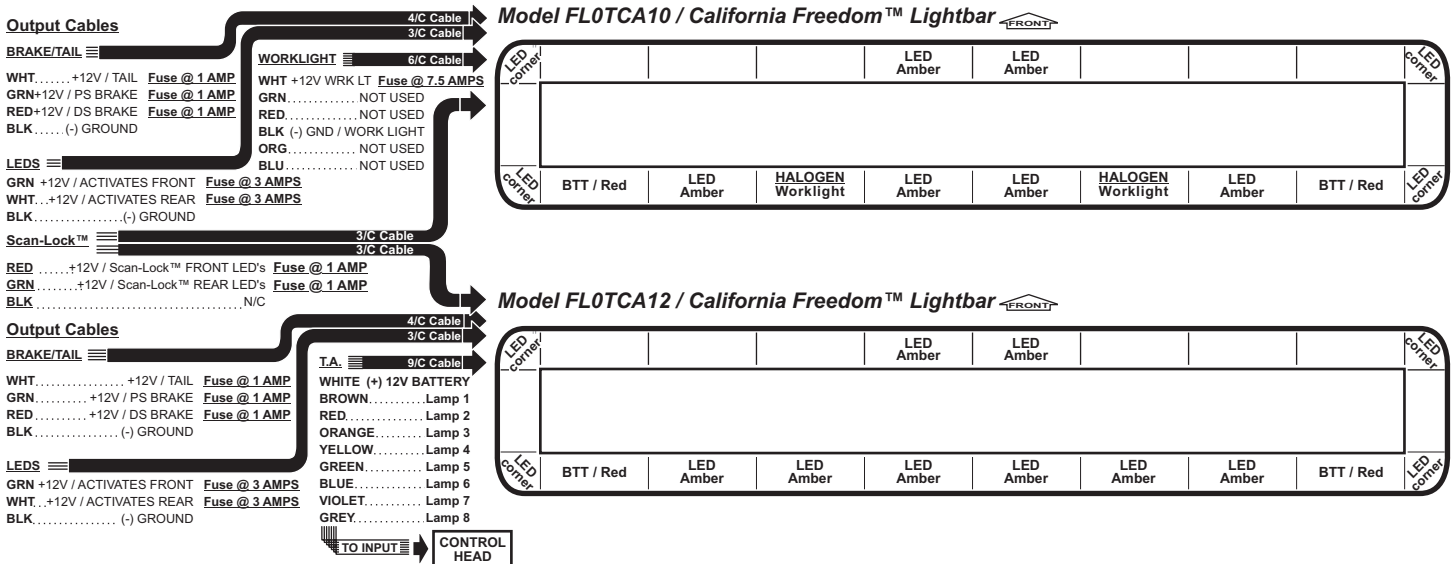
The RED wire is the Scan-Lock™ wire for FRONT LED's. and the GREEN wire for REAR LED's. LED's must be on to use Scan-Lock™.

TO CHANGE PATTERNS: To cycle forward to the next pattern: Apply +VBAT to the "Scan-Lock™" wire for less than 1 second and release. **To cycle back to the previous pattern:** Apply +VBAT to the Scan-Lock™ wire for more than 1 second and release.

TO CHANGE THE DEFAULT PATTERN: When the desired pattern is active, allow it to run for more than 5 seconds. The lighthouse will now display this pattern when activated.

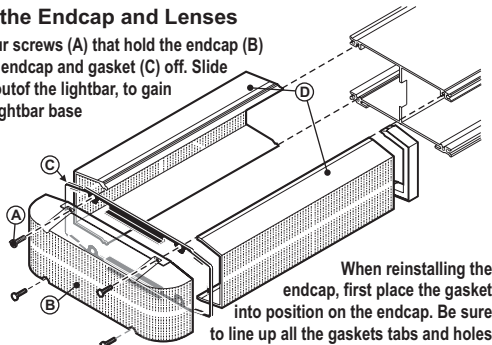
TO RESTORE THE FACTORY DEFAULT PATTERN: With power to the lighthouses off, apply +VBAT to the Scan-Lock™ wire. While still applying +VBAT to the "Scan-Lock™" wire, turn power to the lighthouses back on. The factory default pattern should now be displayed.

A Normally Open momentary switch can be used to control Scan-Lock™



Removing the Endcap and Lenses

Remove the four screws (A) that hold the endcap (B) on and pull the endcap and gasket (C) off. Slide the lenses (D) out of the lightbar, to gain access to the lightbar base



Mounting of: Halogen or LED Lighthouses

The ears on mounting bracket slide into the channels in the lightbar base
Lighthouse mounting holes snap into the raised bosses on the mounting bracket

