

# WHELEN<sup>®</sup>

ENGINEERING COMPANY INC.

51 Winthrop Road,  
Chester, Connecticut 06412  
Phone: (860) 526-9504  
Fax: (860) 526-4078  
Internet: [www.whelen.com](http://www.whelen.com)  
Sales e-mail: [autosale@whelen.com](mailto:autosale@whelen.com)  
Canadian Sales e-mail: [autocan@whelen.com](mailto:autocan@whelen.com)  
Customer Service e-mail: [custserv@whelen.com](mailto:custserv@whelen.com)

## Installation Guide: 2005 - present Vehicle Specific Lighthead Housings for M4, M7, LINZ6, TIR3, 400, 500 & 700-series Lighthead

### Safety First

This document provides all the necessary information to allow your Whelen product to be properly and safely installed. Before beginning the installation and/or operation of your new product, the installation technician and operator must read this manual completely. Important information is contained herein that could prevent serious injury or damage.

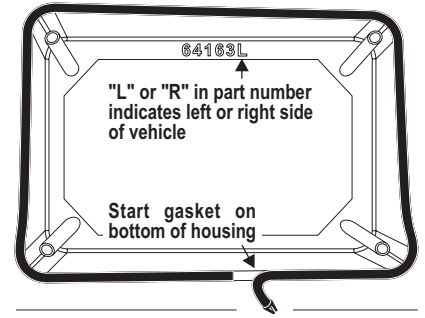
- **Proper installation of this product requires the installer to have a good understanding of automotive electronics, systems and procedures.**
- **If mounting this product requires drilling holes, the installer MUST be sure that no vehicle components or other vital parts could be damaged by the drilling process. Check both sides of the mounting surface before drilling begins. Also de-burr any holes and remove any metal shards or remnants. Install grommets into all wire passage holes.**
- **If this manual states that this product may be mounted with suction cups, magnets, tape or Velcro<sup>®</sup>, clean the mounting surface with a 50/50 mix of isopropyl alcohol and water and dry thoroughly.**
- **Do not install this product or route any wires in the deployment area of your air bag. Equipment mounted or located in the air bag deployment area will damage or reduce the effectiveness of the air bag, or become a projectile that could cause serious personal injury or death. Refer to your vehicle owner's manual for the air bag deployment area. The User/Installer assumes full responsibility to determine proper mounting location, based on providing ultimate safety to all passengers inside the vehicle.**
- **For this product to operate at optimum efficiency, a good electrical connection to chassis ground must be made. The recommended procedure requires the product ground wire to be connected directly to the NEGATIVE (-) battery post.**
- **If this product uses a remote device to activate or control this product, make sure that this control is located in an area that allows both the vehicle and the control to be operated safely in any driving condition.**
- **Do not attempt to activate or control this device in a hazardous driving situation.**
- **This product contains either strobe light(s), halogen light(s), high-intensity LEDs or a combination of these lights. Do not stare directly into these lights. Momentary blindness and/or eye damage could result.**
- **Use only soap and water to clean the outer lens. Use of other chemicals could result in premature lens cracking (crazing) and discoloration. Lenses in this condition have significantly reduced effectiveness and should be replaced immediately. Inspect and operate this product regularly to confirm its proper operation and mounting condition. Do not use a pressure washer to clean this product.**
- **It is recommended that these instructions be stored in a safe place and referred to when performing maintenance and/or reinstallation of this product.**
- **FAILURE TO FOLLOW THESE SAFETY PRECAUTIONS AND INSTRUCTIONS COULD RESULT IN DAMAGE TO THE PRODUCT OR VEHICLE AND/OR SERIOUS INJURY TO YOU AND YOUR PASSENGERS!**

**For warranty information regarding this product, visit [www.whelen.com/warranty](http://www.whelen.com/warranty)**

**Installation:**

**WARNING:** Lights on the front of the vehicle must be mounted a minimum of 18" apart, measured from the center of the lighthouse. They must also be a minimum of 30" from the road and be mounted below the windshield.

1. Before mounting, be sure the vehicle is parked on a level surface. First install the supplied rubber gasket onto the housing. Start the gasket at the bottom of the housing. The gasket is made longer than needed and you will have to cut off the excess so it will fit. Pinching the back of the gasket together as you install it, will make the job easier (see illustration). No gasket is needed for most grille mount flanges.
2. Find the mounting location photo of the vehicle and lighthouse you are doing the installation on. The photo will show the mounting location for your vehicle. Some photos may have specific mounting instructions for that particular vehicle.
3. Position the housing onto the mounting surface in the area indicated in the photo for your vehicle. The housing is contoured to the body of each model vehicle and will fit perfectly when in the exact mounting position it is designed for. In the part number of the housing there will be an "L" or an "R" to indicate whether it goes onto the left or right of the vehicle.

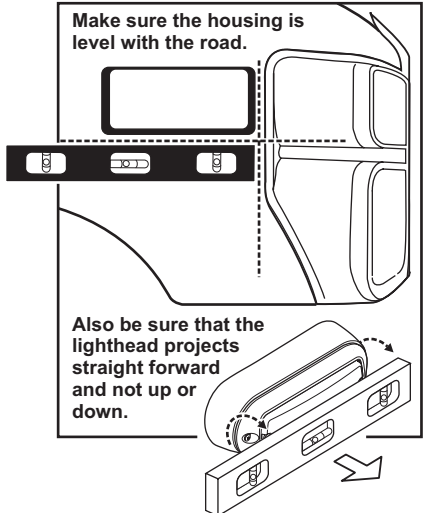


**Front fender of vehicle:** Mount housing as far forward as possible for maximum effectiveness.

**Front of vehicle:** The housing mounts to the front of the hood. No less than 18" apart.

**Vehicle grille:** The housing will mount approximately to the upper corner of the grille. Each housing is contoured to fit around the grille of the vehicle it is designed for (see photo for mounting location). No gasket is used for most. The supplied clamp hooks into the grille as shown below and on page 4.

4. When the housing is positioned in its exact location (fitting perfectly to the vehicle with no space at all between vehicle and housing) check it with a level. When you have it level mark the mounting holes off onto the mounting surface.



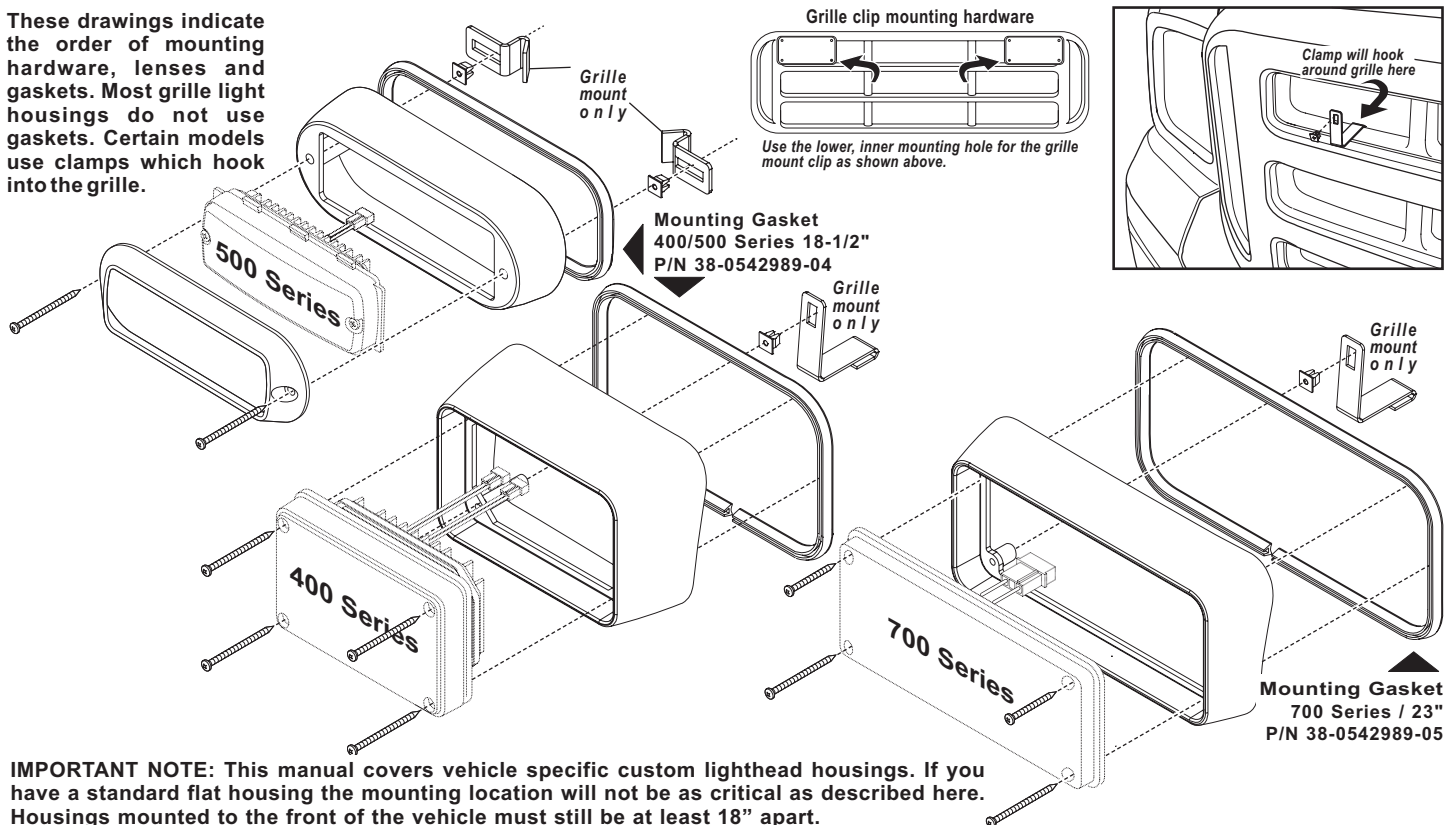
**CAUTION:** When mounting onto fiberglass, after you drill the mounting holes, chamfer the top of the hole to prevent the fiberglass from cracking with use.

5. Drill the mounting holes with an appropriately sized drill bit. You will also need to drill a wire hole. Refer to the lighthouse manual for size and location.
6. Secure housing (with lighthouse) to vehicle using supplied mounting hardware.

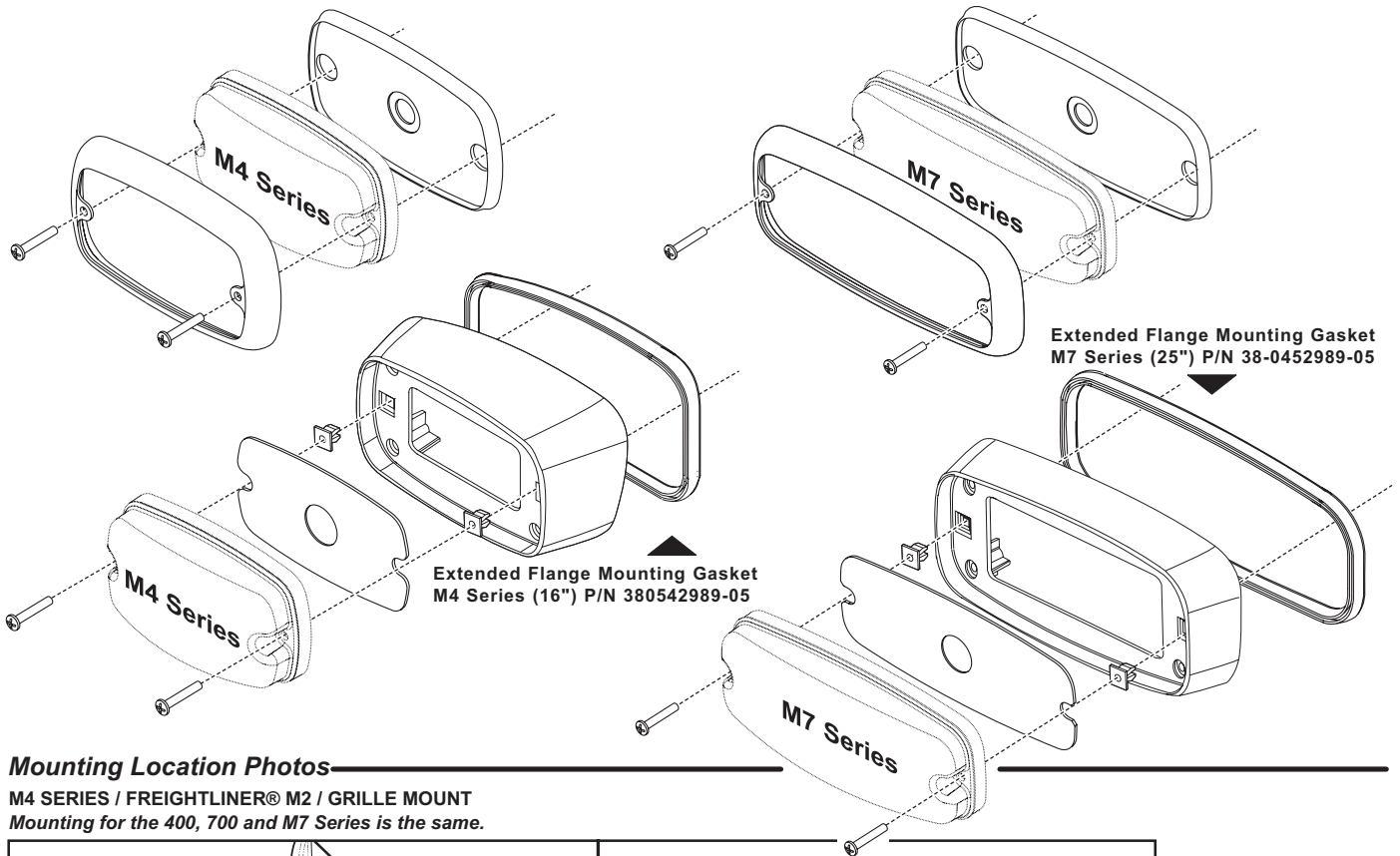


**IMPORTANT:** Certain housings may have up to four different sized mounting screws to match the vehicle contour. To be sure you use the correct screws, insert them into the housing before mounting. All four screws should extend out of the housing the same amount.

These drawings indicate the order of mounting hardware, lenses and gaskets. Most grille light housings do not use gaskets. Certain models use clamps which hook into the grille.

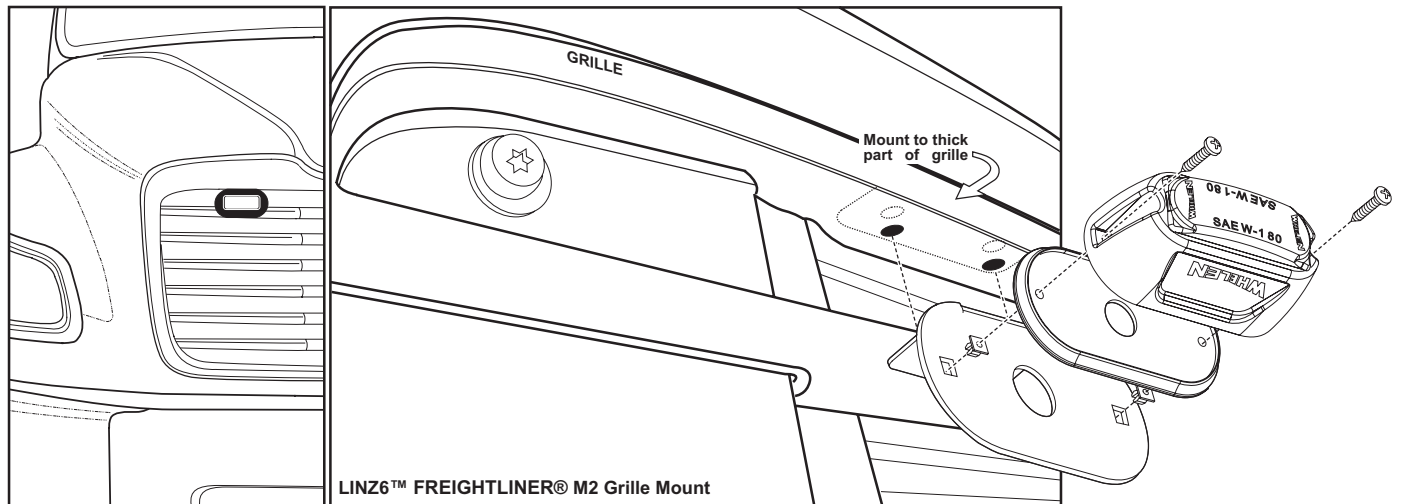
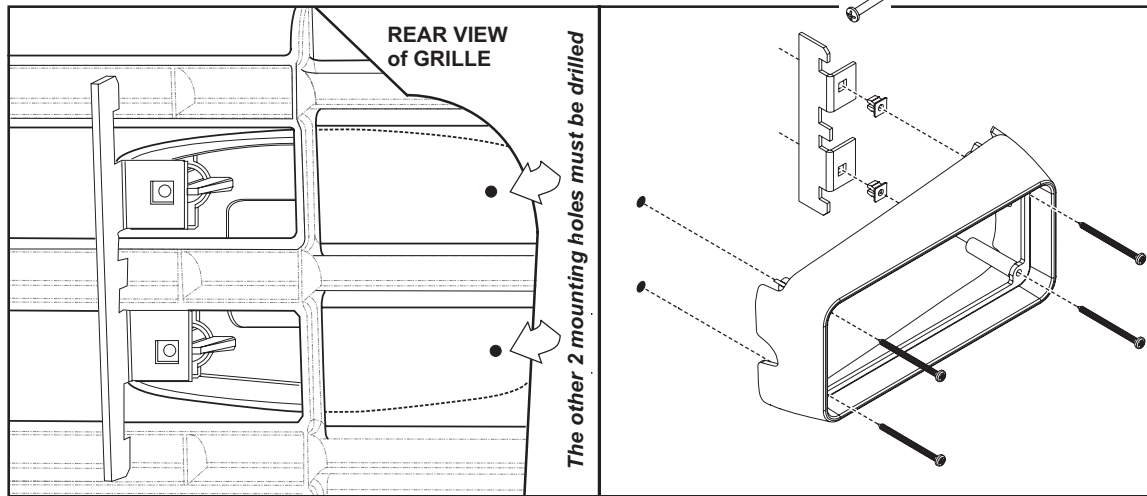


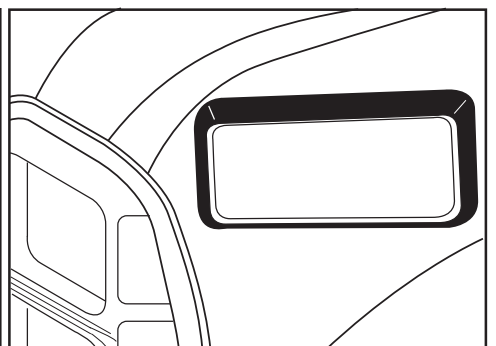
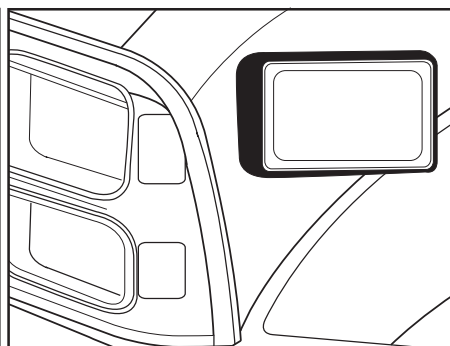
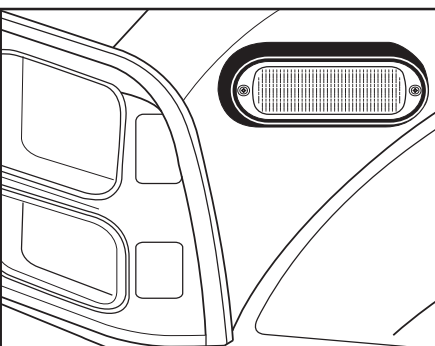
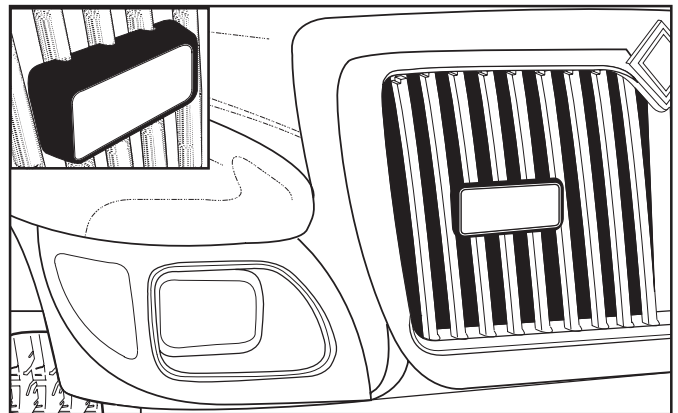
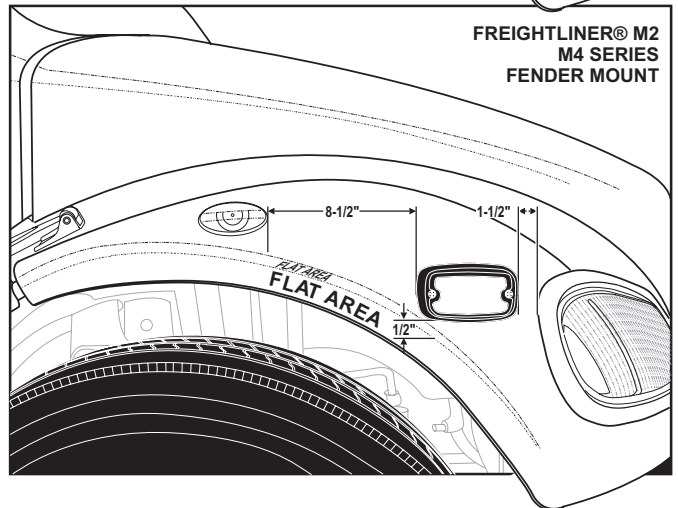
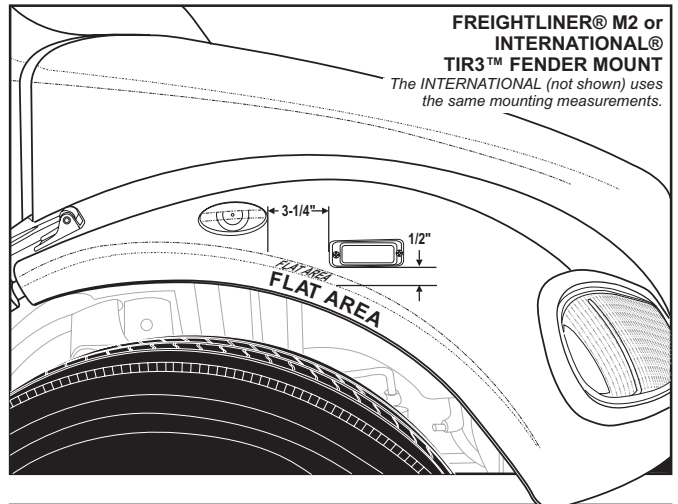
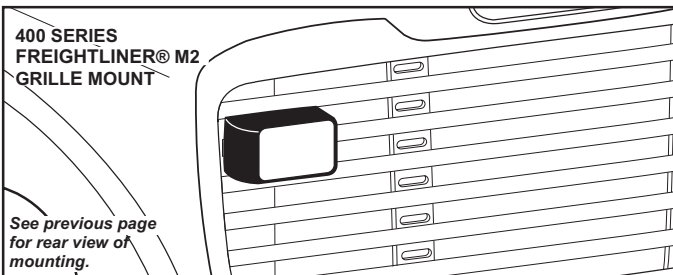
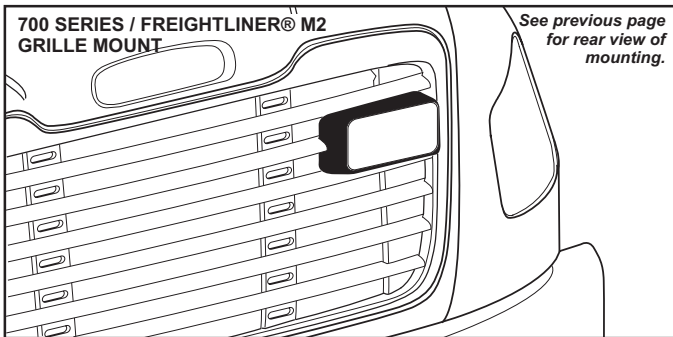
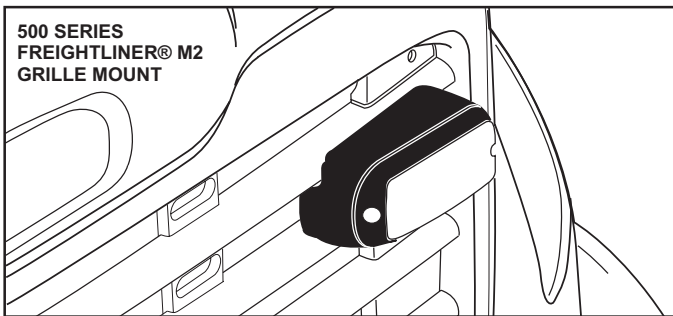
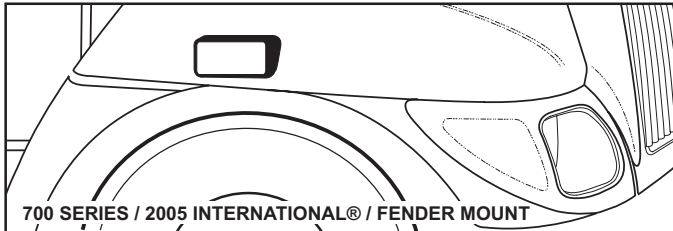
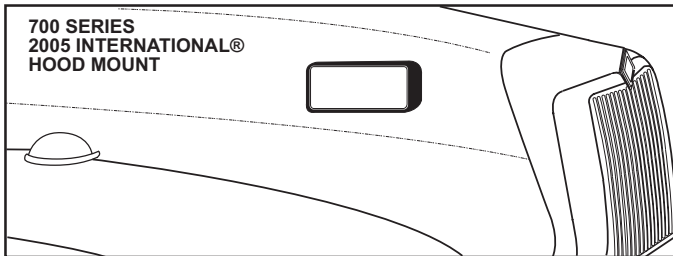
**IMPORTANT NOTE:** This manual covers vehicle specific custom lighthouse housings. If you have a standard flat housing the mounting location will not be as critical as described here. Housings mounted to the front of the vehicle must still be at least 18" apart.



**Mounting Location Photos**

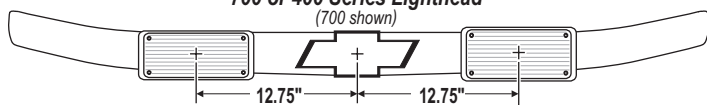
**M4 SERIES / FREIGHTLINER® M2 / GRILLE MOUNT**  
*Mounting for the 400, 700 and M7 Series is the same.*



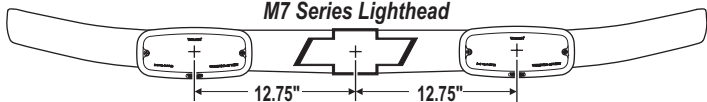


**CHEVY EXPRESS / GRILLE MOUNT / for 700, 400, M4 & M7 SERIES**

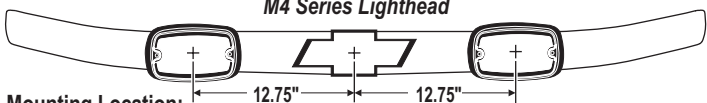
**700 or 400 Series Lighthouse**  
(700 shown)



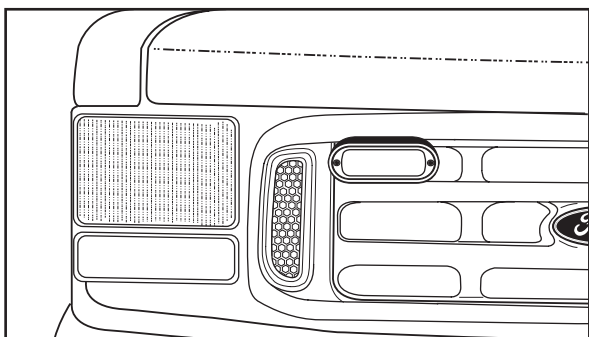
**M7 Series Lighthouse**



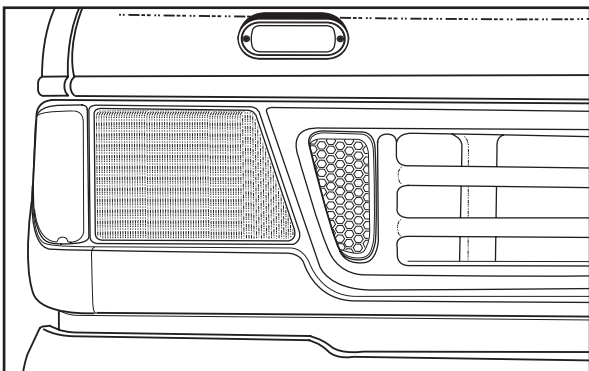
**M4 Series Lighthouse**



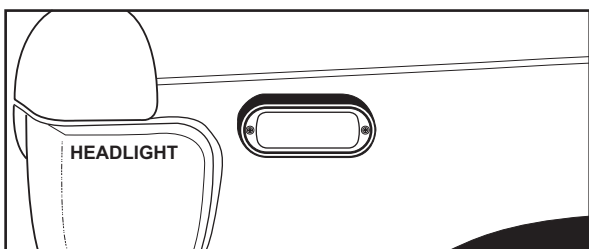
**Mounting Location:**  
Measure 12.75" from the exact center of the Chevy logo to the exact center of the lighthouse. This is your mounting location.



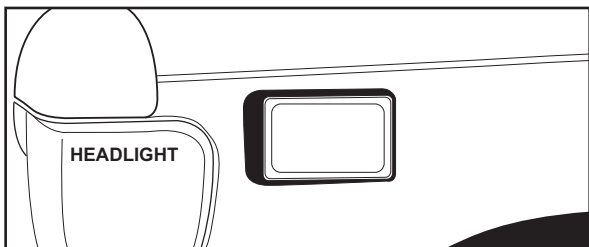
**500 SERIES / 2005 FORD® "E" or "F" SERIES / GRILLE**



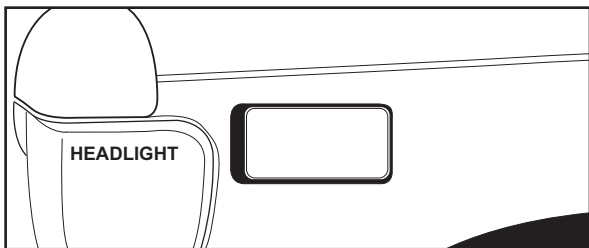
**500 SERIES / 2005 FORD® "E" or "F" SERIES / HOOD**



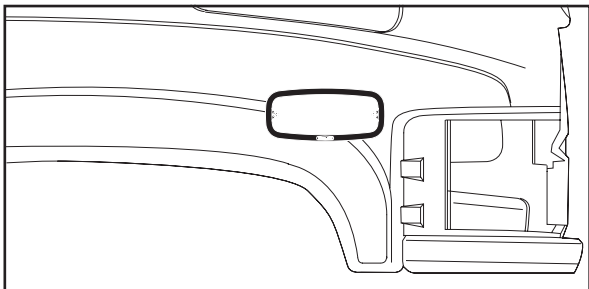
**500 SERIES / 2005 FORD® "E" or "F" SERIES / FENDER**



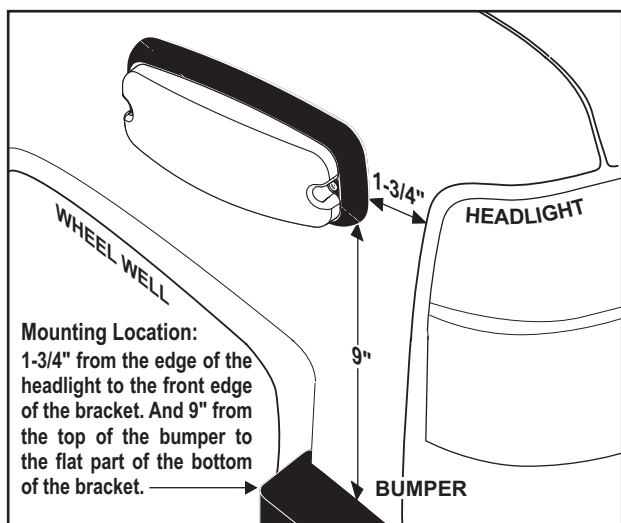
**400 SERIES / 2005 Ford® "E" or "F" SERIES / FENDER**



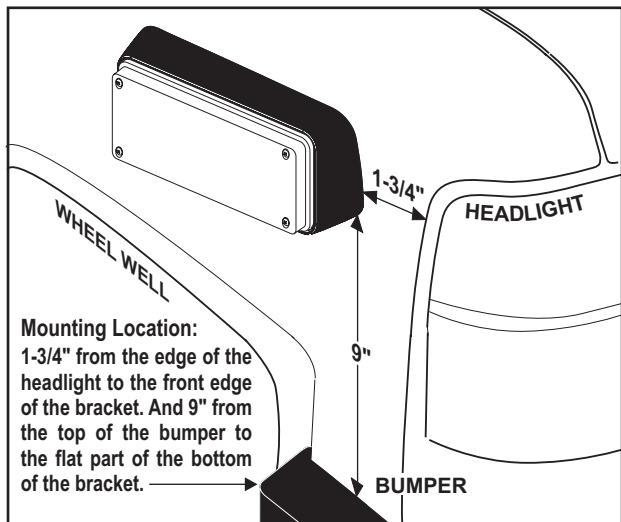
**700 SERIES / 2005 FORD® "E" or "F" SERIES / FENDER**



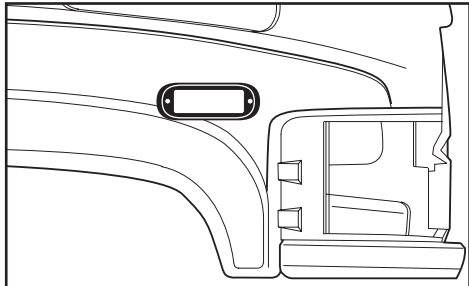
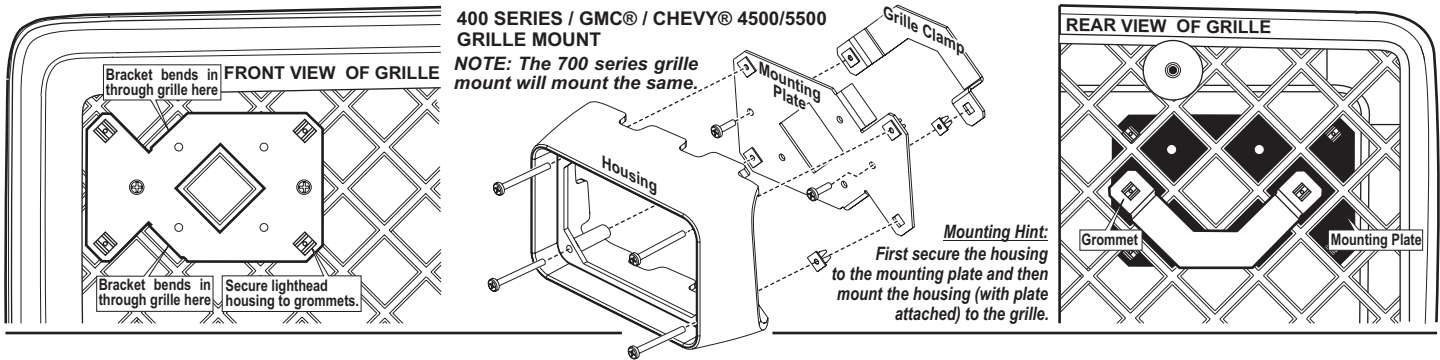
**M7 SERIES / CHEVROLET® / 4500 or 5500 / FENDER**



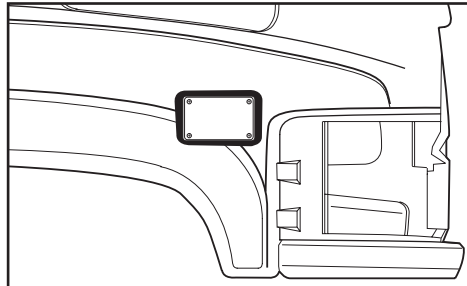
**M7 SERIES / CHEVY EXPRESS / FENDER MOUNT**



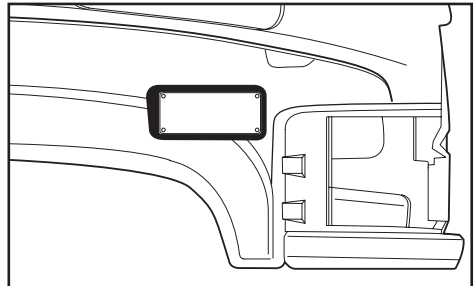
**400 or 700 SERIES / CHEVY EXPRESS / FENDER MOUNT**



500 SERIES - CHEVY 4500/5500 - FENDER

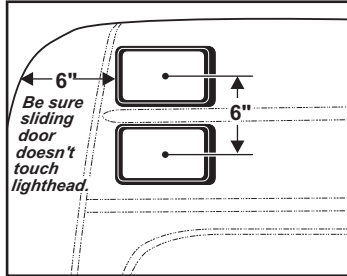


400 SERIES - CHEVY - 4500/5500 - FENDER

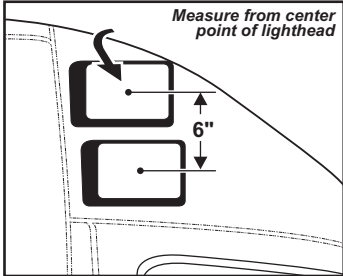


700 SERIES - CHEVY - 4500/5500 - FENDER

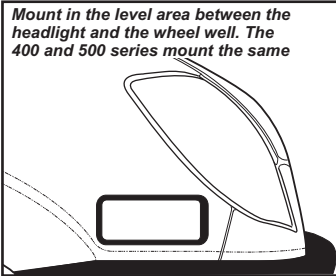
**2007-2009 DODGE® or INTERNATIONAL® SPRINTER**



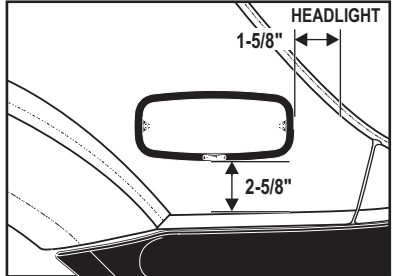
Upper Rear - 600 SERIES



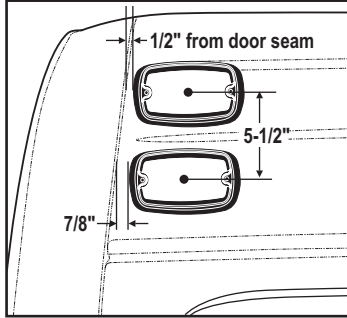
Upper Front - 600 SERIES



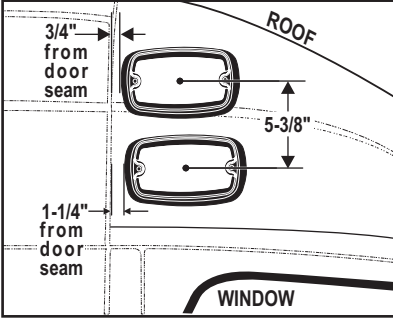
Front Fender - 700 SERIES



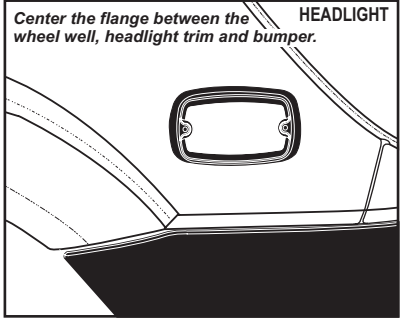
Front Fender - M7 SERIES



Upper Rear - M4 SERIES

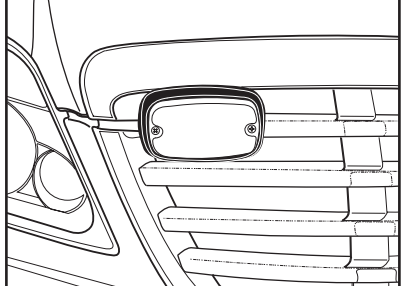


Upper Front - M4 SERIES

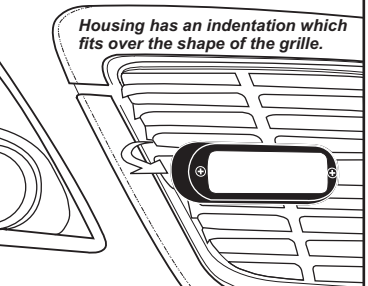


Front Fender - M4 SERIES

**SPRINTER / GRILLE MOUNT**



Freightliner® - M4 SERIES



Dodge - 500 SERIES