

# WHELEN<sup>®</sup>

ENGINEERING COMPANY INC.

51 Winthrop Road  
 Chester, Connecticut 06412-0684  
 Phone: (860) 526-9504  
 Fax: (860) 526-2009  
 Internet: www.whelen.com  
 Sales/Service e-mail: aviation@whelen.com

## Installation Guide: 71015( )-series Models 7101501, 02, 03, 04, 05, 06, 07, 08 P/N: 01-0771015-01, -02, -03, -04, -05, -06, -07, -08 LED Forward Position Light Assembly

TSO-C30c  
 TYPES I & II  
 APPROVED



The conditions and tests required for TSO approval of this article are minimum performance standards. It is the responsibility of those installing this article either on or within a specific type or class of aircraft to determine that the aircraft installation conditions are within the TSO standards. TSO articles must have separate approval for installation in aircraft. The article may be installed only if performed under 14 CFR part 43 or the applicable airworthiness requirements.

### OPERATING INSTRUCTIONS:

**Operational Voltage:** . . . . . 28 VDC nominal  
 (Operational from 22VDC - 32VDC)

**Input Current:** . . . . . 0.3 Amps

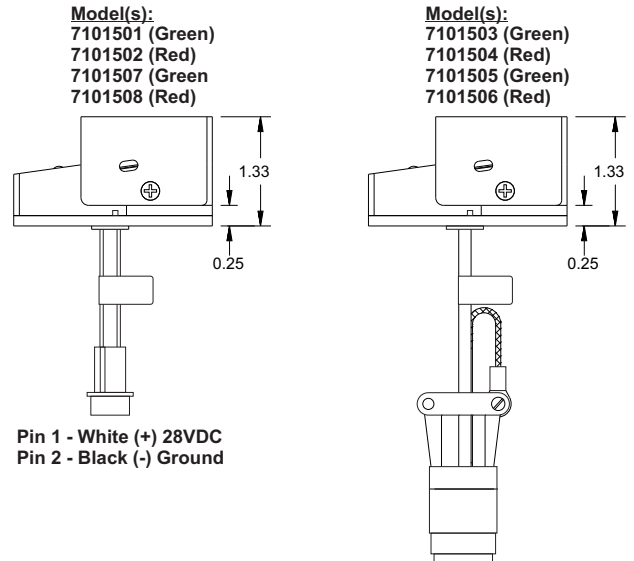
**EQUIPMENT LIMITATIONS:** An approved forward position lighting system consists of two lights, one located on each wingtip, mounted behind a clear lens. The base plate must be mounted parallel to the vertical and horizontal centerlines of the aircraft to project the patterns properly.

Certain types of installations may require additional testing.

**CONTINUED AIRWORTHINESS:** The 71015 series LED wingtip position light assembly is designed with 6 Green or 7 Red LED's. If any one LED fails, the unit must be repaired or replaced. **Note:** To reduce eye strain, use an optical filter such as dark glasses or a blue covering dome during LED inspection.

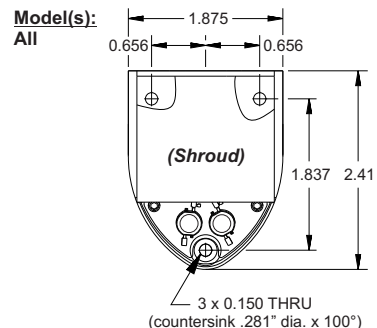
**INSTALLATION PROCEDURES:** The following information is to assist in the installation of a Whelen LED Forward Position Light System.

1. Choose the appropriate light assembly.
2. Using the mounting detail information provided, prepare the aircraft for means to secure the light assembly.
3. Connect the light inputs according to the chart shown. Connect the power lead to an appropriately sized breaker. Connections to be in accordance with FAA approved methods.
4. Carefully remove the #4 Phillips screw (qty. 2) and remove the shroud. CAUTION: Do not touch the LED with either fingers or sharp objects. This could soil and/or damage the lens and affect the optical performance of the LEDs.
5. Using the appropriate hardware, install the unit to the aircraft. Insure that all leads are clear of any obstructions and secured as required.
6. Reinstall the shroud.
7. Check all avionics systems for interference from the installation.



Pin 1 - White (+) 28VDC  
 Pin 2 - Black (-) Ground

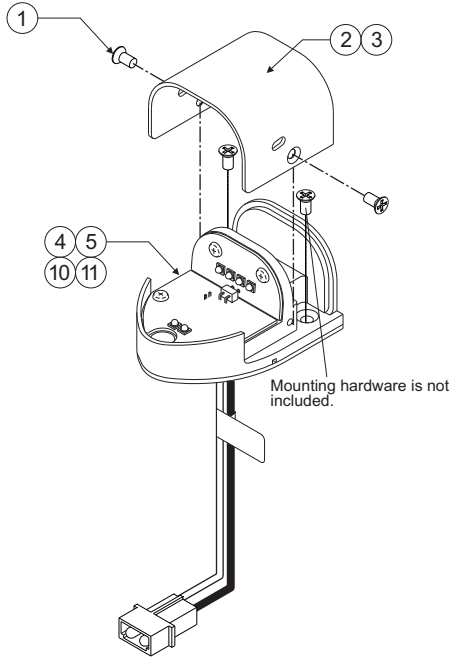
Pos. A - White/Blue (+) 28 VDC  
 Pos. B - White (-) Ground



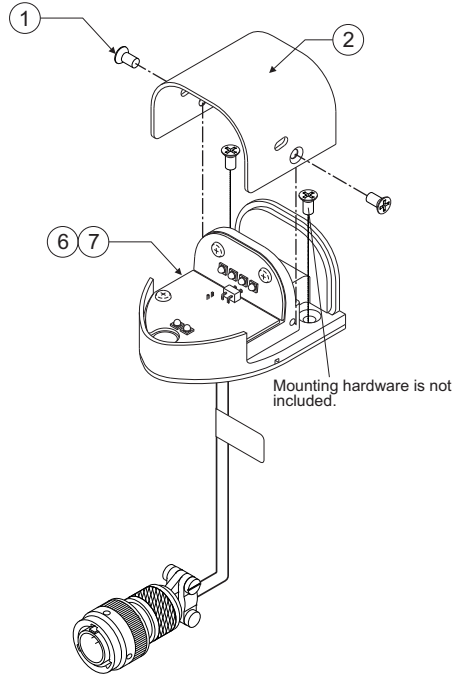
8. A flight check should be performed by a properly certified pilot.
9. Update aircraft records, complete Form 337 and obtain FAA field approval for installation, as necessary.

Aviation

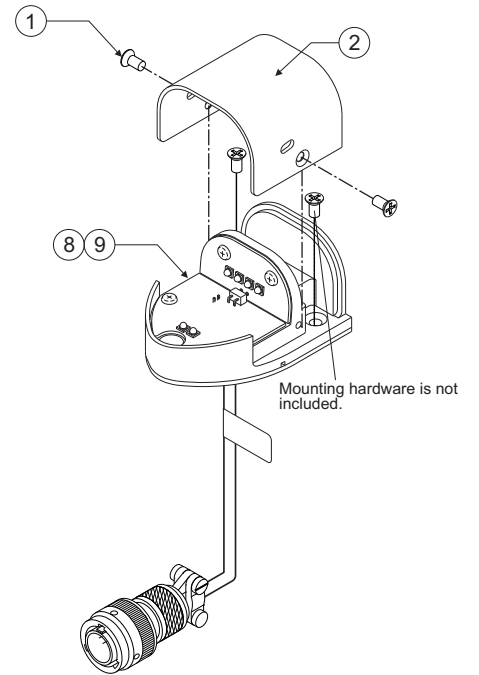
**Models: 7101501, 7101502  
7101507, 7101508**



**Models: 7101503, 7101504**



**Models: 7101505, 7101506**



QTY	QTY	QTY	QTY	QTY	QTY	QTY	QTY	QTY	ITEM	PART NUMBER	DESCRIPTION
							*			01-0771015-01	7101501 LED FORWARD POS. LIGHT (GRN)
								*		01-0771015-02	7101502 LED FORWARD POS. LIGHT (RED)
								*		01-0771015-03	7101503 LED FORWARD POS. LIGHT (GRN) w/SHIELD CABLE
								*		01-0771015-04	7101504 LED FORWARD POS. LIGHT (RED) w/SHIELD CABLE
							*			01-0771015-05	7101505 LED FORWARD POS. LIGHT (GRN) w/SHIELD CABLE
							*			01-0771015-06	7101506 LED FORWARD POS. LIGHT (RED) w/SHIELD CABLE
							*			01-0771015-07	7101507 LED FORWARD POS. LIGHT w/WHITE HOUSING (GRN)
							*			01-0771015-08	7101508 LED FORWARD POS. LIGHT w/WHITE HOUSING (RED)
2	2	2	2	2	2	2	2	2	1	14-0050581-01	SCREW, 4-40 x 3/16 (FLAT HEAD/CSNK MS24693-C1)
-	-	1	1	1	1	1	1	1	2	11-671024-100	SHROUD
1	1	-	-	-	-	-	-	-	3	11-671024-200	SHROUD (WHITE)
-	-	-	-	-	-	-	-	1	4	01-0271718-01	FINAL ASSEMBLY, LED POS. LIGHT (GREEN)
-	-	-	-	-	-	-	-	1	5	01-0271718-02	FINAL ASSEMBLY, LED POS. LIGHT (RED)
-	-	-	-	-	1	-	-	-	6	01-0271718-03	FINAL ASSEMBLY, LED POS. LIGHT (GREEN) w/SHIELD CABLE
-	-	-	-	1	-	-	-	-	7	01-0271718-04	FINAL ASSEMBLY, LED POS. LIGHT (RED) w/SHIELD CABLE
-	-	-	1	-	-	-	-	-	8	01-0271718-05	FINAL ASSEMBLY, LED POS. LIGHT (GREEN) w/SHIELD CABLE
-	-	1	-	-	-	-	-	-	9	01-0271718-06	FINAL ASSEMBLY, LED POS. LIGHT (RED) w/SHIELD CABLE
-	1	-	-	-	-	-	-	-	10	01-0271718-07	FINAL ASSEMBLY, LED POS. LIGHT (GREEN) w/WHITE HOUSING
1	-	-	-	-	-	-	-	-	11	01-0271718-08	FINAL ASSEMBLY, LED POS. LIGHT (RED) w/WHITE HOUSING

**Mounting Dimensions**

