

WHELEN[®]

ENGINEERING COMPANY INC.

Route 145, Winthrop Road,

Chester, Connecticut 06412

Phone: (860) 526-9504

Fax: (860) 526-4078

Internet: www.whelen.com

Sales e-mail: autosale@whelen.com

Canadian Sales e-mail: autocan@whelen.com

Customer Service e-mail: custserv@whelen.com

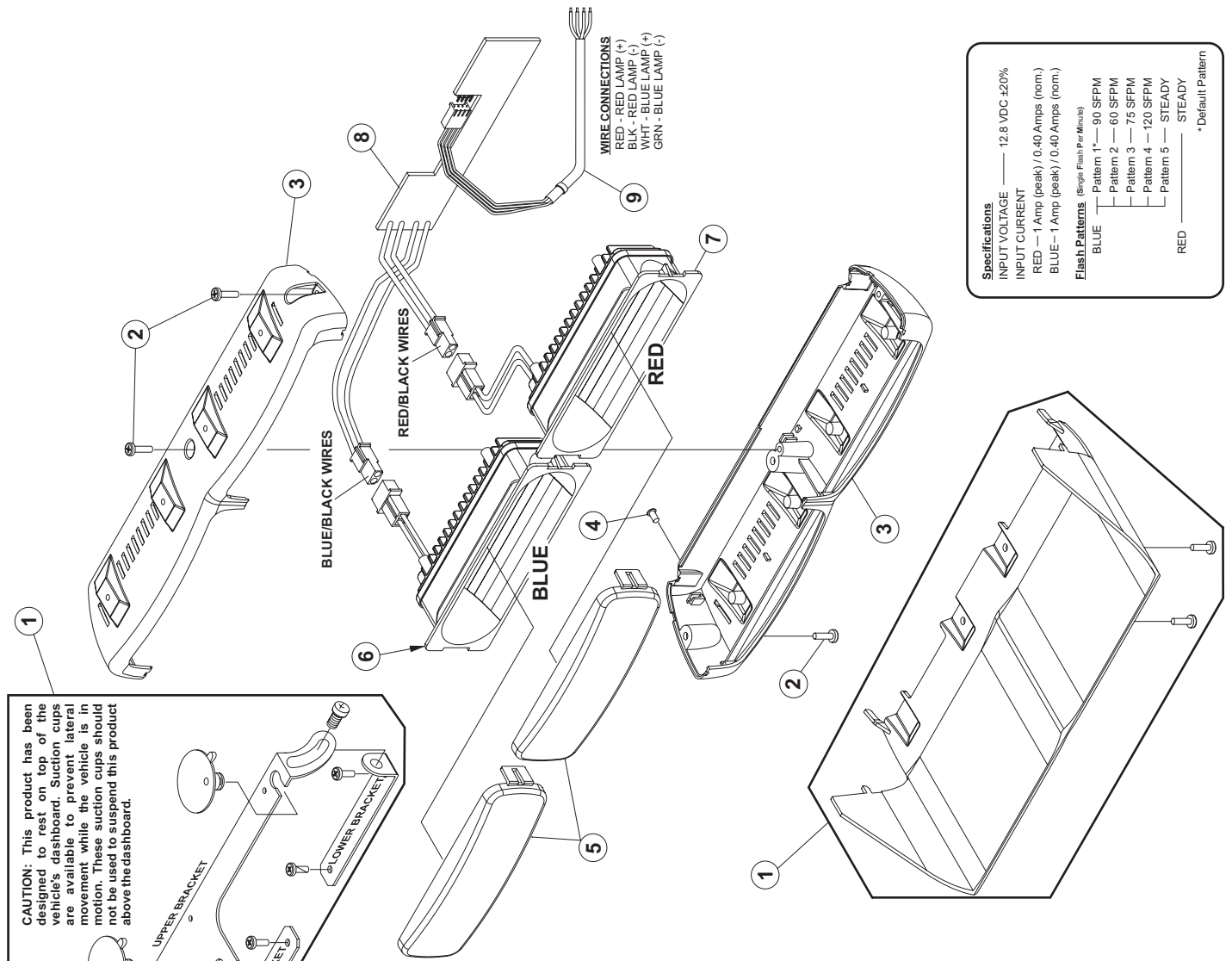
Installation Guide: TN-series Dual LED Dash Light (California)

Safety First

This document provides all the necessary information to allow your Whelen product to be properly and safely installed. Before beginning the installation and/or operation of your new product, the installation technician and operator must read this manual completely. Important information is contained herein that could prevent serious injury or damage.

- **Proper installation of this product requires the installer to have a good understanding of automotive electronics, systems and procedures.**
- **If mounting this product requires drilling holes, the installer MUST be sure that no vehicle components or other vital parts could be damaged by the drilling process. Check both sides of the mounting surface before drilling begins. Also de-burr the holes and remove any metal shards or remnants. Install grommets into all wire passage holes.**
- **If this manual states that this product may be mounted with suction cups, magnets, tape or Velcro™, clean the mounting surface with a 50/50 mix of isopropyl alcohol and water and dry thoroughly.**
- **Do not install this product or route any wires in the deployment area of your air bag. Equipment mounted or located in the air bag deployment area will damage or reduce the effectiveness of the air bag, or become a projectile that could cause serious personal injury or death. Refer to your vehicle owners manual for the air bag deployment area. The User/Installer assumes full responsibility to determine proper mounting location, based on providing ultimate safety to all passengers inside the vehicle.**
- **For this product to operate at optimum efficiency, a good electrical connection to chassis ground must be made. The recommended procedure requires the product ground wire to be connected directly to the NEGATIVE (-) battery post (this does not include products that use cigar power cords).**
- **If this product uses a remote device for activation or control, make sure that this device is located in an area that allows both the vehicle and the device to be operated safely in any driving condition.**
- **Do not attempt to activate or control this device in a hazardous driving situation.**
- **This product contains either strobe light(s), halogen light(s), high-intensity LEDs or a combination of these lights. Do not stare directly into these lights. Momentary blindness and/or eye damage could result.**
- **Use only soap and water to clean the outer lens. Use of other chemicals could result in premature lens cracking (crazing) and discoloration. Lenses in this condition have significantly reduced effectiveness and should be replaced immediately. Inspect and operate this product regularly to confirm its proper operation and mounting condition. Do not use a pressure washer to clean this product.**
- **It is recommended that these instructions be stored in a safe place and referred to when performing maintenance and/or reinstallation of this product.**
- **FAILURE TO FOLLOW THESE SAFETY PRECAUTIONS AND INSTRUCTIONS COULD RESULT IN DAMAGE TO THE PRODUCT OR VEHICLE AND/OR SERIOUS INJURY TO YOU AND YOUR PASSENGERS!**

For warranty information regarding this product, visit www.whelen.com/warranty



Specifications

INPUT VOLTAGE — 12.8 VDC ±20%

INPUT CURRENT

RED — 1 Amp (peak) / 0.40 Amps (nom.)

BLUE — 1 Amp (peak) / 0.40 Amps (nom.)

Flash Patterns (Single Flash Per Minute)

BLUE

Pattern 1* — 90 SFFM

Pattern 2 — 60 SFFM

Pattern 3 — 75 SFFM

Pattern 4 — 120 SFFM

Pattern 5 — STEADY

RED — STEADY

* Default Pattern

CAUTION: This product has been designed to rest on top of the vehicle's dashboard. Suction cups are available to prevent lateral movement while the vehicle is in motion. These suction cups should not be used to suspend this product above the dashboard.

Mounting...
CAUTION! Nighttime operation of this product may produce reflected light within the vehicle! Use with caution!

- 1) Locate the #6 x 3/8" plasti-lok screws (included). Using 4 of the 6 supplied screws, secure the lower mounting brackets to the TN as shown.
- 2) Slide the suction cups onto the upper mounting bracket and secure the upper mounting bracket onto the lower mounting bracket.

3) Attach the reflector tape to the visor hood (see parts diagram). Then secure the visor hood to the unit.

4) With the TN resting on the dashboard, apply the suction cups to the windshield. **Do not locate the TN in any location where it will interfere with the drivers ability to safely operate the vehicle. Refer to the safety warnings on this page and the cover of this manual.**

5) Adjust the angle of the TN so that the visor hood is in full contact with the windshield.

There are holes on the upper bracket to be used if permanent mounting is desired. Using the upper bracket as a template, mark the areas where the mounting holes are to be drilled. Secure the unit using the appropriate hardware (customer supplied).

Wiring...
All customer supplied wires that connect to the positive terminal of the battery must be sized to supply at least 125% of the maximum operating current and FUSED at the battery to carry that load. DO NOT USE CIRCUIT BREAKERS WITH THIS PRODUCT!

- 1) Extend the RED wire to a Single Pole/Single Throw switch. From this switch, extend a wire of similar gage to +12VDC. Fuse this wire using a 2 Amp fuse (customer supplied).
- 2) Extend the WHITE wire to a Single Pole/Single Throw switch. From this switch, extend a wire of similar gage to +12VDC. Fuse this wire using a 2 Amp fuse (customer supplied).
- 3) Extend the BLACK and GREEN wires to chassis ground.

QTY/ITEM	PART NUMBER	DESCRIPTION
	01-06859780-52	DUAL TN, STEADY RED/BLUE
1	01-0485959-00	KIT, TN INSTALLATION
2	15-06521B-080	SCREW, #6 x 1/2", PPH PLASTI-LOK SS BLACK
2	11-483849-000	HOUSING, DUAL TN
1	21-31000512-0	PLUG, RUBBER
2	68-3963604-30	LENS, SNAP-ON LED (CLEAR)
1	01-0264260-22	500 LED LINEAR 6 (BLUE)
1	01-0264260-52	500 LED LINEAR 6 (RED)
1	02-0164319-00	DUAL TN BALLAST PC ASSEMBLY
1	46-0743247-00	CABLE ASSEMBLY (29")