

# WHELEN<sup>®</sup>

ENGINEERING COMPANY INC.

51 Winthrop Road  
Chester, Connecticut 06412-0684  
Phone: (860) 526-9504  
Fax: (860) 526-4078  
Internet: [www.whelen.com](http://www.whelen.com)  
Sales e-mail: [autosale@whelen.com](mailto:autosale@whelen.com)  
Canadian Sales e-mail: [autocan@whelen.com](mailto:autocan@whelen.com)  
Customer Service e-mail: [custserv@whelen.com](mailto:custserv@whelen.com)

Installation Guide:  
Inner Edge<sup>®</sup> Interior Lightbar  
Model(s): I01UF\*\*\* (04-05 Crown Victoria)  
I02UF\*\*\* (05-06 Crown Victoria)

## Safety First

This document provides all the necessary information to allow your Whelen product to be properly and safely installed. Before beginning the installation and/or operation of your new product, the installation technician and operator must read this manual completely. Important information is contained herein that could prevent serious injury or damage.

- Proper installation of this product requires the installer to have a good understanding of automotive electronics, systems and procedures.
- If mounting this product requires drilling holes, the installer **MUST** be sure that no vehicle components or other vital parts could be damaged by the drilling process. Check both sides of the mounting surface before drilling begins. Also de-burr any holes and remove any metal shards or remnants. Install grommets into all wire passage holes.
- If this manual states that this product may be mounted with suction cups, magnets, tape or Velcro<sup>®</sup>, clean the mounting surface with a 50/50 mix of isopropyl alcohol and water and dry thoroughly.
- Do not install this product or route any wires in the deployment area of your air bag. Equipment mounted or located in the air bag deployment area will damage or reduce the effectiveness of the air bag, or become a projectile that could cause serious personal injury or death. Refer to your vehicle owner's manual for the air bag deployment area. The User/Installer assumes full responsibility to determine proper mounting location, based on providing ultimate safety to all passengers inside the vehicle.
- For this product to operate at optimum efficiency, a good electrical connection to chassis ground must be made. The recommended procedure requires the product ground wire to be connected directly to the **NEGATIVE (-)** battery post.
- If this product uses a remote device to activate or control this product, make sure that this control is located in an area that allows both the vehicle and the control to be operated safely in any driving condition.
- Do not attempt to activate or control this device in a hazardous driving situation.
- This product contains either strobe light(s), halogen light(s), high-intensity LEDs or a combination of these lights. Do not stare directly into these lights. Momentary blindness and/or eye damage could result.
- Use only soap and water to clean the outer lens. Use of other chemicals could result in premature lens cracking (crazing) and discoloration. Lenses in this condition have significantly reduced effectiveness and should be replaced immediately. Inspect and operate this product regularly to confirm its proper operation and mounting condition. Do not use a pressure washer to clean this product.
- It is recommended that these instructions be stored in a safe place and referred to when performing maintenance and/or reinstallation of this product.
- **FAILURE TO FOLLOW THESE SAFETY PRECAUTIONS AND INSTRUCTIONS COULD RESULT IN DAMAGE TO THE PRODUCT OR VEHICLE AND/OR SERIOUS INJURY TO YOU AND YOUR PASSENGERS!**

**For warranty information regarding this product, visit [www.whelen.com/warranty](http://www.whelen.com/warranty)**

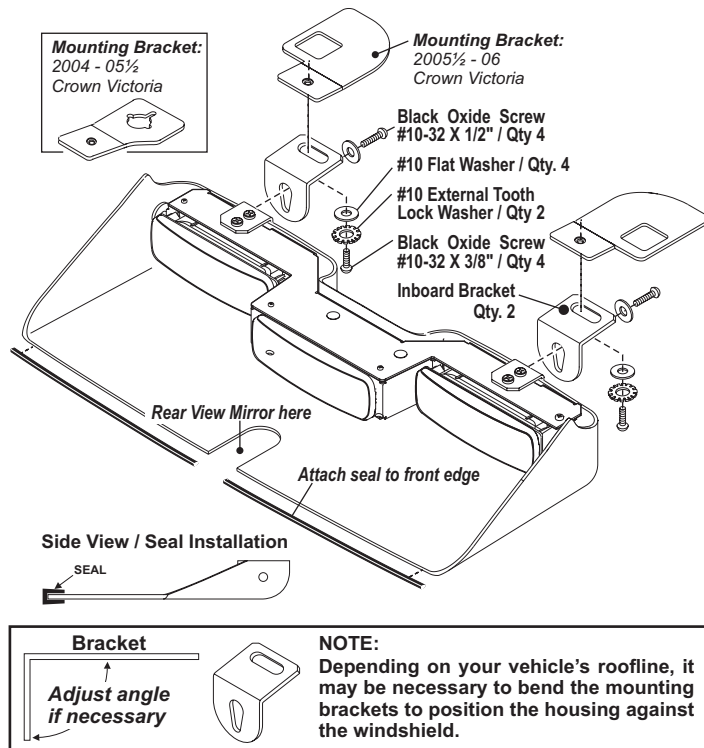
**IMPORTANT!** Do not install this product or route any wires in the deployment area of your air bag. See warning on page 1.

**Installation:**

**IMPORTANT!** The lightbar should be located a minimum of 16" from any radio antennas!

When routing wires, it is important to choose a path that will keep the wires away from excessive heat or any vehicle equipment that could compromise the integrity of the wires (ex. trunk lids, door jams, etc.)

1. Locate and install the rubber window seal onto the lower, leading edge of the housing (see above).
2. Remove the screws securing the visor clip to the vehicle, then remove and retain the clip and all hardware.
3. Locate the driver-side mounting bracket (indicated with a "D" label) and orient as shown.



4. Position the keyed opening of the mounting bracket directly under the mounting location for the visor clip removed in step 1. With the bracket in this position, remount the visor clip in its original location using the original hardware.
5. Repeat this procedure for the passenger-side mounting bracket (indicated with a "P" label).
6. Position the lightbar as shown below. Using the hardware provided, secure the lightbar to the mounting brackets. Tighten hardware firmly.
7. Route the lightbar cable down the vehicle A-pillar to the control head.
8. Make all wiring connections using the information provided.

**IMPORTANT:** All customer supplied wires that connect to the positive terminal of the battery must be sized to supply at least 125% of the maximum operating current and **FUSED** at the battery to carry that load. **DO NOT USE A CIRCUIT BREAKER WITH THIS PRODUCT!**

**Wiring:**

Refer to the parts pages for wiring diagrams of all lightbars.

**WARNING:** The strobe power supply is a high voltage device. Do not remove flash tubes or dismantle the strobe light head assembly while in operation. Wait 10 minutes after turning power off before starting work or trouble-shooting.

**Operation:**

**3 LINEAR-LEDs®:** Powered and operated by a 4-conductor cable.

**Turning lightbar on** activates all lighthoods. Choose flash pattern and High or low power operation.

**2 LINEAR-LEDs & 1 STROBE:** Powered and operated by a 4-conductor cable for the LEDs and a 3-conductor cable for the centr strobe light.

**Turning lightbar on** activates the two outer Linear-LEDs. To activate the center strobe use a strobe power supply to power the 3-conductor cable.

**2 MR8 TDs & 2 LINEAR-LEDs:** Powered and operated by a 6-conductor cable.

**Turning lightbar on** activates the two outer Linear-LEDs. Apply +12 volts to the ORANGE wire to activate the MR8s.

**2 MR8 TD's & 2 LINEAR-LEDs / CALIFORNIA STEADY:** Lightbar is powered and operated by a 6-conductor cable.

**Turning lightbar on** will activate the outer LEDs. The passenger side LED will display the selected flash pattern and the driver side LED will operate in steady burn mode. Apply +12 volts to ORANGE wire to activate the MR8s.

**Scan-Lock™ / WHITE**

To change a flash pattern, turn on the desired lighthouse:

**TO CYCLE THROUGH ALL PATTERNS:** To cycle forward apply +12 volts to the WHITE wire for less than 1 second and release. To cycle backward apply +12 volts to the WHITE wire for more than 1 second and release.

**TO SET A PATTERN AS DEFAULT:** When the desired pattern is displayed allow it to run for more than 5 seconds.

**TO RESET TO THE FACTORY DEFAULT PATTERN:** Turn off power and apply +12 volts to the WHITE wire while turning on power.

**Note:** A normally open momentary switch can be used to control Scan-Lock operation.

**Available Scan-Lock Flash Patterns:**

SignalAlert™ 75 Alternating > SignalAlert™ 75 In-Out > SignalAlert™ 75 Left to Right > SingleFlash 90 Alternating > SingleFlash 90 In-Out > SingleFlash 90 Left to Right > CometFlash® 75 Alternating > CometFlash® 75, In-Out > CometFlash® 75, Left to Right > SingleFlash 75 Alternating > SingleFlash 75 In-Out > SingleFlash 75 Left to Right > SingleFlash 150 Alternating > SingleFlash 150 In-Out > SingleFlash 150 Left to Right > DoubleFlash 75 Alternating > DoubleFlash 75 In-Out > DoubleFlash 75 Left to Right > ActionFlash™ Alternating > ActionFlash™ In-Out > ActionFlash™ Left to Right > RandomFlash > ActionScan™ Alt. > ActionScan™ In-Out > ActionScan™ Left to Right.

**Hi/Low Power / GREEN**

This feature allows the user to step the unit down to low power operation for nighttime use. The type of switch used depends on how the operator wishes the Hi/Low feature to function:

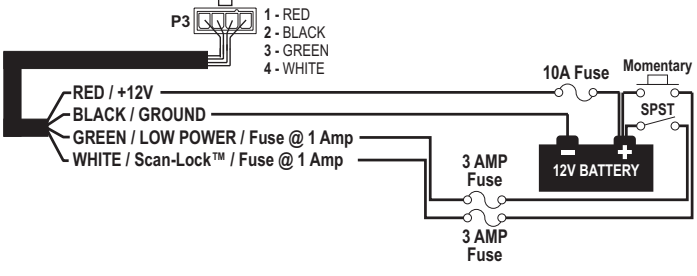
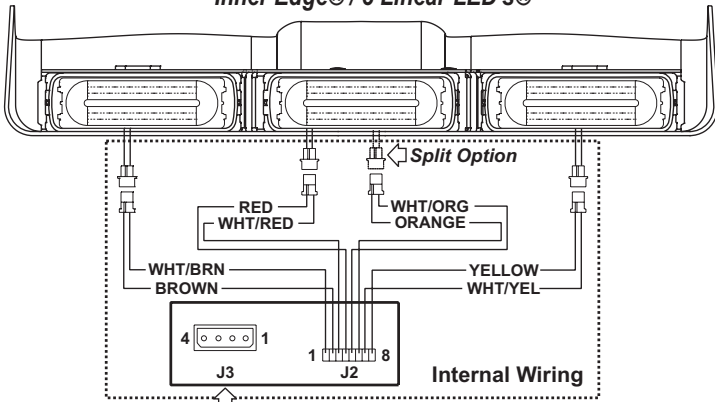
**Latching Mode:** By applying positive voltage to the GREEN wire for less than 1 second, the lightbar is "latched" into low power. The unit must be turned off and then back on to restore normal high power operation (a momentary switch is preferred).

**Level Mode:** Applying positive voltage to the GREEN wire for more than 1 second holds the lightbar in low power mode until voltage is removed (a toggle switch is preferred).

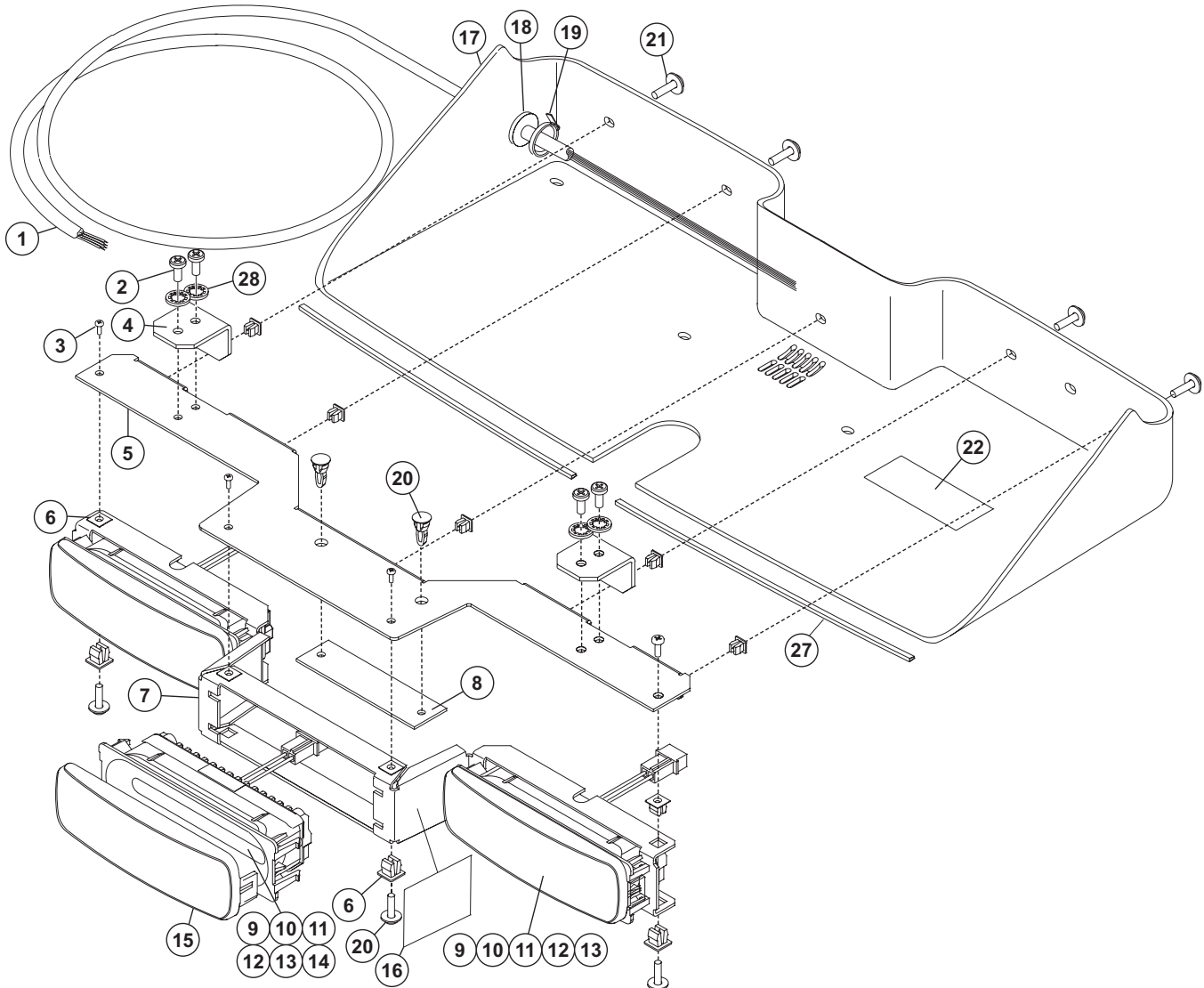
**IMPORTANT!** Before returning this vehicle to active service, visually confirm the proper operation of this product, as well as all vehicle components/equipment.

**IMPORTANT WARNING!**  
**CAUTION! DO NOT LOOK DIRECTLY AT THESE LEDS WHILE THEY ARE ON. MOMENTARY BLINDNESS AND/OR EYE DAMAGE COULD RESULT!**

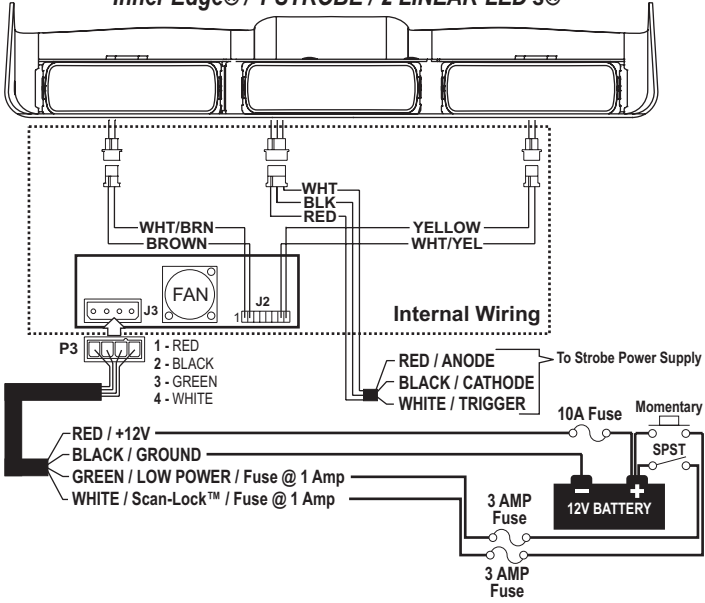
### Inner Edge® / 3 Linear-LED's®



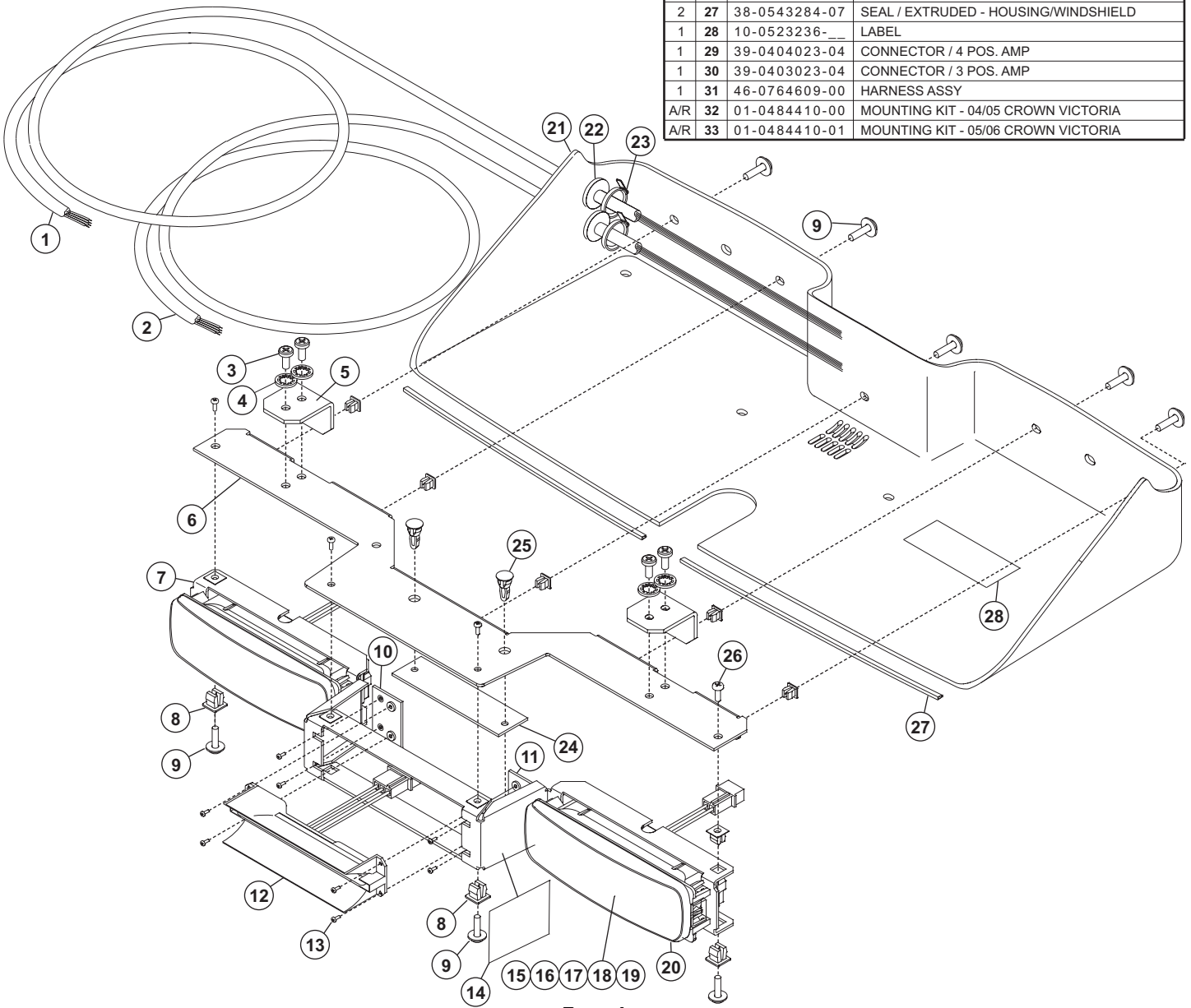
QTY	ITEM	PART NUMBER	DESCRIPTION
*		01-0684410-__	LIGHTBAR / INNER EDGE® - LINEAR 3™
1	1	46-0743278-00	CABLE ASSY / INPUT - INNER EDGE® LINEAR 3™
4	2	14-082215-050	SCREW / #8-32 X .312 PPHMS SS BLACK OX
4	3	15-06521B-060	SCREW / #6 X 3/8 PPH PLASTI-LOK SS BLACK OX
2	4	07-243216-023	BRACKET / MOUNTING
1	5	11-284377-007	COVER / 3 / LINEAR 500
13	6	13-062C40-16J	SCREW GROMMET / #6 #8 FASTEX
1	7	07-284376-023	BRACKET / 3 / LINEAR 500
1	8	02-0164414-00	PCB ASSY
A/R	9	01-0264260-52	LTHEAD ASSY / LINEAR-LED® - RED/STDY CMNL
A/R	10	01-0264260-42	LTHEAD ASSY / LINEAR-LED® - GRN/STDY CMNL
A/R	11	01-0264260-32	LTHEAD ASSY / LINEAR-LED® - WHT/STDY CMNL
A/R	12	01-0264260-22	LTHEAD ASSY / LINEAR-LED® - BLU/STDY CMNL
A/R	13	01-0264260-12	LTHEAD ASSY / LINEAR-LED® - AMB/STDY CMNL
A/R	14	01-0264260-J2	LTHEAD ASSY / SPLIT / LINEAR - RED/BLUE
3	15	68-3963604-30	LENS / CLEAR / NON-OPTIC SNAP-ON
2	16	68-5943276-01	MIRROR / 3 / 500 LINEAR
1	17	11-484328-000	HOUSING / 3 / LINEAR 500
1	18	21-11091202-0	3/8" GROMMET
A/R	19	26-0215001-03	TY WRAP 3"
2	20	20-0017569-00	SPACER / PCB MTG
9	21	15-M23B1C-120	SCREW, M4.2 X 12MM, BLACK OXIDE
1	22	LABEL	
1	23	39-0404023-04	CONNECTOR / 4 POS. AMP
1	24	46-0764441-00	HARNESS ASSY
A/R	25	01-0484410-00	MOUNTING KIT / 04-05 CROWN VICTORIA
A/R	26	01-0484410-01	MOUNTING KIT / 05-06 CROWN VICTORIA
2	27	38-0543284-07	SEAL / EXTRUDED / HOUSING / WINDSHIELD
4	28	16-0821220-400	#8 INTERNAL TOOTH LOCK WASHER SS



**Inner Edge® / 1 STROBE / 2 LINEAR-LED's®**



QTY	ITEM	PART NUMBER	DESCRIPTION
*		01-0684477-__	LIGHTBAR / INNER EDGE®-2 LIN 1 STROBE 05/06 CV
*		01-0684477-__	LIGHTBAR / INNER EDGE®-2 LIN 1 STROBE 04/05 CV
1	1	46-0742172-20	CABLE ASSY / INPUT - 3C 18GA 20" W/SKTS & PINS
1	2	46-0743278-00	CABLE ASSY / INPUT - INNER EDGE® LINEAR 3™
4	3	14-082215-050	SCREW / #8-32 X .312 PPHMS SS BLACK OX
4	4	16-0821220-40	WASHER / #8 INT. TOOTH LOCK
2	5	07-243216-023	BRACKET / MOUNTING
1	6	11-284377-007	COVER / 3 / LINEAR 500
1	7	07-284376-023	BRACKET / 3 / LINEAR 500
13	8	13-062C40-16J	SCREW GROMMET #6/#8 FASTEX
9	9	15-M23B1C-120	SCREW, M4.2 X 12MM, BLACK OXIDE
1	10	07-743312-023	PLATE / ADAPTER - RIGHT
1	11	07-743312-123	PLATE / ADAPTER - LEFT
1	12	02-0363043-00	REFLECTOR ASSY / LINEAR STROBE SERIES 14
8	13	14-040216-04H	SCREW / #4-40 X 1/4 PPHMS SS BLACK PASS.
2	14	68-5943276-01	MIRROR (3) 500 LINEAR
A/R	15	01-0264260-52	LIGHTHEAD / LINEAR-LED® - RED/STEADY
A/R	16	01-0264260-42	LIGHTHEAD / LINEAR-LED® - GRN/STEADY
A/R	17	01-0264260-32	LIGHTHEAD / LINEAR-LED® - WHT/STEADY
A/R	18	01-0264260-22	LIGHTHEAD / LINEAR-LED® - BLU/STEADY
A/R	19	01-0264260-12	LIGHTHEAD / LINEAR-LED® - AMB/STEADY
2	20	68-3963604-30	LENS / CLEAR - NON-OPTIC SNAP-ON
1	21	11-484328-001	HOUSING / INNER EDGE W/2 CABLES HOLES
2	22	21-11091202-0	GROMMET 3/8"
2	23	26-0215001-03	TY WRAP 3"
1	24	02-0164414-00	PCB ASSY
2	25	20-0017569-00	SPACER / PCB MTG
4	26	15-06521B-060	SCREW / #6 X 3/8 PPH PLASTI-LOK SS BLACK OX
2	27	38-0543284-07	SEAL / EXTRUDED - HOUSING/WINDSHIELD
1	28	10-0523236-__	LABEL
1	29	39-0404023-04	CONNECTOR / 4 POS. AMP
1	30	39-0403023-04	CONNECTOR / 3 POS. AMP
1	31	46-0764609-00	HARNESS ASSY
A/R	32	01-0484410-00	MOUNTING KIT - 04/05 CROWN VICTORIA
A/R	33	01-0484410-01	MOUNTING KIT - 05/06 CROWN VICTORIA



Inner Edge® 2 MR8 TDs / 2 LINEAR-LEDs® with California Steady

QTY	QTY	ITEM	PART NUMBER	DESCRIPTION
	*		01-0684515-___	L'BAR / 2 LINEAR-LED® with Take-Downs STANDARD 05-06 CV
*			01-0684515-___	L'BAR / 2 LINEAR-LED® with Take-Downs CALIF. STEADY 05-06 CV
1	1	1	46-0743349-00	CABLE ASSY / 6-C 18GA with SOCKETS 20'
8	8	2	14-082215-050	SCREW / #8-32 X .312 PPHMS SS BLACK OX
8	8	3	16-0821220-40	WASHER / #8 INT. TOOTH LOCK
2	2	4	07-243216-023	BRACKET / MOUNTING
1	1	5	11-284377-007	COVER / 3 / LINEAR 500
1	1	6	07-284376-023	BRACKET / 3 / LINEAR 500
1	A/R	7	01-0264260-52	LTHEAD ASSY / LINEAR-LED® / RED-STDY CMNL
A/R	A/R	8	01-0264260-42	LTHEAD ASSY / LINEAR-LED® / GRN-STDY CMNL
A/R	A/R	9	01-0264260-32	LTHEAD ASSY / LINEAR-LED® / WHT-STDY CMNL
A/R	A/R	10	01-0264260-22	LTHEAD ASSY / LINEAR-LED® / BLU-STDY CMNL
A/R	A/R	11	01-0264260-12	LTHEAD ASSY / LINEAR-LED® / AMB-STDY CMNL
2	2	12	68-3963604-30	LENS / CLEAR / NON-OPTIC SNAP-ON
13	13	13	13-062C40-16J	SCREW GROMMET / #6 & #8 FASTEX
9	9	14	15-M23B1C-120	SCREW, M4.2 X 12MM, BLACK OXIDE
2	2	15	11-264117-006	COVER / MR8
8	8	16	14-040216-060	SCREW / #4-40 X 3/8 PPHMS
2	2	17	34-21120D0-20	LAMP / MR8 20 WATT
2	2	18	38-0623178-00	PAD / INSULATOR - MR8 LIGHT
2	2	19	33-25217515-0	BASE / LAMP
1	1	20	07-743346-023	PLATE / ADAPTER - 2 LIN LED W/TD
2	2	21	68-5943276-01	MIRROR / 3 / 500 LINEAR
1	1	22	11-484328-000	HOUSING / INNER EDGE®
1	1	23	21-11091202-0	GROMMET 3/8"
1	1	24	26-0215001-06	TY WRAP 6"
4	4	25	16-0601203-28	WASHER / #6 FLAT SS
-	1	26	02-0164414-00	PCB ASSY
1	-	27	02-0164414-01	PCB ASSY CAL STEADY
2	2	28	20-0017569-00	SPACER / PCB MTG
4	4	29	15-06521B-060	SCREW / #6 X 3/8 PPH PLASTI-LOK SS BLACK OX
2	2	30	38-0543284-07	SEAL / EXTRUDED - HOUSING/WINDSHIELD
1	1	31	10-0523236-___	LABEL
-	1	32	46-0764609-00	HARNESS ASSY
1	1	33	39-0402023-04	HOUSING / SOCKET - 2 POS. AMP
1	1	34	39-0402313-04	HOUSING / PIN - 2 POS AMP
2	2	35	39-0501316-04	PIN / 20-14AWG AMP CMNL
1	1	36	39-0404023-04	HOUSING / SOCKET - 4 POS AMP
1	-	37	46-0764441-00	HARNESS ASSY
A/R	A/R	38	01-0484410-01	MOUNTING KIT 05/06 CRN. VIC.
1	A/R	39	26-0215001-03	TY WRAP 3" BLACK

