

## **WHELEN<sup>®</sup>** ENGINEERING COMPANY INC.

51 Winthrop Road  
 Chester, Connecticut 06412-0684  
 Phone: (860) 526-9504  
 Fax: (860) 526-4078  
 Internet: [www.whelen.com](http://www.whelen.com)  
 Sales e-mail: [autosale@whelen.com](mailto:autosale@whelen.com)  
 Canadian Sales e-mail: [autocan@whelen.com](mailto:autocan@whelen.com)  
 Customer Service e-mail: [custserv@whelen.com](mailto:custserv@whelen.com)

### Installation Guide: Dual UnderPro™ Siren Speaker Bracket 2006 Chevrolet Express Van

**DANGER!** Sirens produces extremely loud emergency warning tones! Exposure to these tones without proper and adequate hearing protection, could cause ear damage and/or hearing loss! The Occupational Safety & Health Administration ([www.osha.gov](http://www.osha.gov)) provides information necessary to determine safe exposure times in Occupational Noise Exposure Section 1910.95. Until you have determined the safe exposure times for your specific application, operators and anyone else in the immediate vicinity should be required to wear an approved hearing protection device. **FAILURE TO FOLLOW THIS RECOMMENDATION COULD CAUSE HEARING LOSS!**

#### **Safety First**

This document provides all the necessary information to allow your Whelen product to be properly and safely installed. Before beginning the installation and/or operation of your new product, the installation technician and operator must read this manual completely. Important information is contained herein that could prevent serious injury or damage.

- Proper installation of this product requires the installer to have a good understanding of automotive electronics, systems and procedures.
- If mounting this product requires drilling holes, the installer **MUST** be sure that no vehicle components or other vital parts could be damaged by the drilling process. Check both sides of the mounting surface before drilling begins. Also de-burr any holes and remove any metal shards or remnants. Install grommets into all wire passage holes.
- If this manual states that this product may be mounted with suction cups, magnets, tape or Velcro®, clean the mounting surface with a 50/50 mix of isopropyl alcohol and water and dry thoroughly.
- Do not install this product or route any wires in the deployment area of your air bag. Equipment mounted or located in the air bag deployment area will damage or reduce the effectiveness of the air bag, or become a projectile that could cause serious personal injury or death. Refer to your vehicle owner's manual for the air bag deployment area. The User/Installer assumes full responsibility to determine proper mounting location, based on providing ultimate safety to all passengers inside the vehicle.
- For this product to operate at optimum efficiency, a good electrical connection to chassis ground must be made. The recommended procedure requires the product ground wire to be connected directly to the **NEGATIVE (-)** battery post.
- If this product uses a remote device to activate or control this product, make sure this control is located in an area that allows both the vehicle and the control to be operated safely in any driving condition. **DO NOT ATTEMPT TO ACTIVATE OR CONTROL THIS DEVICE IN A HAZARDOUS DRIVING SITUATION.**
- It is recommended that these instructions be stored in a safe place and referred to when performing maintenance and/or reinstallation of this product.
- **FAILURE TO FOLLOW THESE SAFETY PRECAUTIONS AND INSTRUCTIONS COULD RESULT IN DAMAGE TO THE PRODUCT OR VEHICLE AND/OR SERIOUS INJURY TO YOU AND YOUR PASSENGERS!**

<b>ACTIVATION OF THIS SIREN MAY DAMAGE UNPROTECTED EARS!</b>	
 <b>Wear Protection!</b>	<b>CAUTION</b> Loud siren noise can cause hearing damage and/or loss. Refer to OSHA Section 1910.95 prior to putting ANY siren into service!

**For warranty information regarding this product, visit [www.whelen.com/warranty](http://www.whelen.com/warranty)**

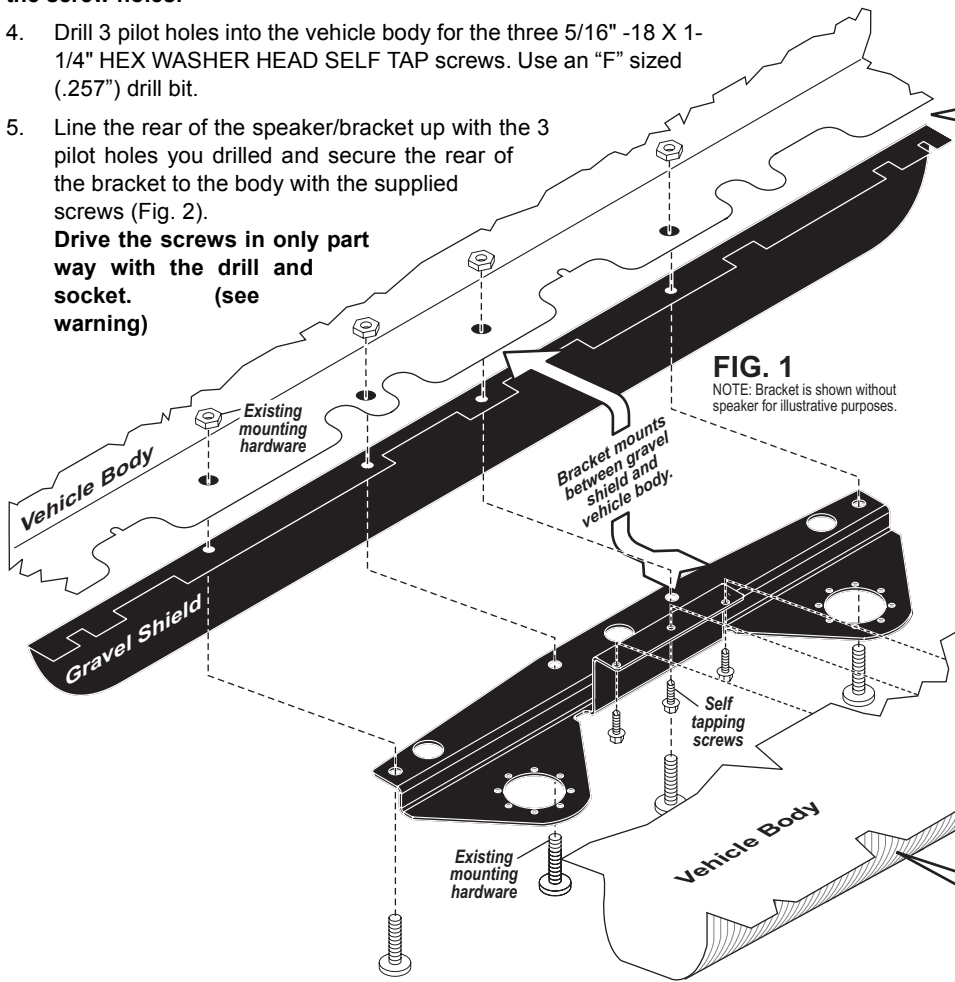
This siren speaker bracket mounts to a 2006 Chevy Express Van. The front of the bracket mounts between the gravel shield and vehicle body and the rear mounts to the vehicle body.

**Installation:**

1. First remove the bolts that secure the gravel shield. The front of the siren speaker bracket will use the gravel shields bolts to mount between the gravel shield and the vehicle body.
2. Secure the front of the siren speaker bracket to the front of the vehicle. It is a good idea to put something under the back of the bracket to support its weight until you secure the rear of the bracket to the vehicle.
3. Line the rear of the bracket up to the section of the vehicle body that extends down (Figs 1 & 3) and mark off the location of the three pilot holes you will drill.

**NOTE: The siren speaker must be level with the road. It is a good idea to place a small level on the speaker body while marking off the screw holes.**

4. Drill 3 pilot holes into the vehicle body for the three 5/16" -18 X 1-1/4" HEX WASHER HEAD SELF TAP screws. Use an "F" sized (.257") drill bit.
5. Line the rear of the speaker/bracket up with the 3 pilot holes you drilled and secure the rear of the bracket to the body with the supplied screws (Fig. 2).  
**Drive the screws in only part way with the drill and socket. (see warning)**

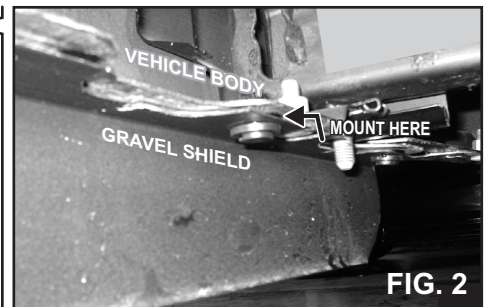


**WARNING: You must drive the self tapping screws in until they are tightened almost all the way, then finish tightening them by hand. If you drill them all the way in, they will strip the hole.**

6. Tighten the self tapping screws the rest of the way with a hand wrench being careful not to strip the holes.
7. Extend your speaker wires (**WHITE: Positive BLACK: Negative**) to your siren and follow the siren instructions for hookup. (Wire size 16 Gage)

**IMPORTANT! Before returning this vehicle to active service, first confirm the proper operation of this product, as well as all vehicle components/equipment.**

Front of Bracket



Front of bracket mounts between gravel shield and vehicle body.

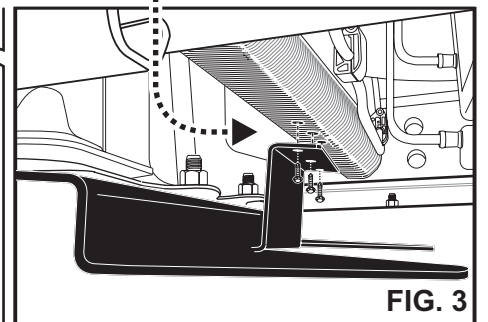
**ACTIVATION OF THIS SIREN MAY DAMAGE UNPROTECTED EARS!**

**CAUTION**

Loud siren noise can cause hearing damage and/or loss. Refer to OSHA Section 1910.95 prior to putting ANY siren into service!

**Wear Protection!**

Rear of bracket mounts to vehicle body with self-tapping screws.



Rear of Bracket