

# WHELEN<sup>®</sup>

ENGINEERING COMPANY INC.

51 Winthrop Road  
Chester, Connecticut 06412-0684  
Phone: (860) 526-9504  
Fax: (860) 526-4078  
Internet: [www.whelen.com](http://www.whelen.com)  
Sales e-mail: [autosale@whelen.com](mailto:autosale@whelen.com)  
Canadian Sales e-mail: [autocan@whelen.com](mailto:autocan@whelen.com)  
Customer Service e-mail: [custserv@whelen.com](mailto:custserv@whelen.com)

## Installation Guide: Inner-Edge™ Lower Rear Deck Linear T/A Interior Lightbar 2006 Chevrolet Impala

### Safety First

This document provides all the necessary information to allow your Whelen product to be properly and safely installed. Before beginning the installation and/or operation of your new product, the installation technician and operator must read this manual completely. Important information is contained herein that could prevent serious injury or damage.

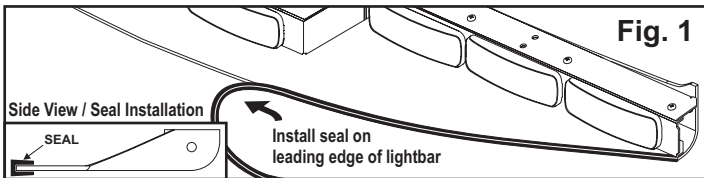
- **Proper installation of this product requires the installer to have a good understanding of automotive electronics, systems and procedures.**
- **If mounting this product requires drilling holes, the installer MUST be sure that no vehicle components or other vital parts could be damaged by the drilling process. Check both sides of the mounting surface before drilling begins. Also de-burr any holes and remove any metal shards or remnants. Install grommets into all wire passage holes.**
- **If this manual states that this product may be mounted with suction cups, magnets, tape or Velcro®, clean the mounting surface with a 50/50 mix of isopropyl alcohol and water and dry thoroughly.**
- **Do not install this product or route any wires in the deployment area of your air bag. Equipment mounted or located in the air bag deployment area will damage or reduce the effectiveness of the air bag, or become a projectile that could cause serious personal injury or death. Refer to your vehicle owner's manual for the air bag deployment area. The User/Installer assumes full responsibility to determine proper mounting location, based on providing ultimate safety to all passengers inside the vehicle.**
- **For this product to operate at optimum efficiency, a good electrical connection to chassis ground must be made. The recommended procedure requires the product ground wire to be connected directly to the NEGATIVE (-) battery post.**
- **If this product uses a remote device to activate or control this product, make sure that this control is located in an area that allows both the vehicle and the control to be operated safely in any driving condition.**
- **Do not attempt to activate or control this device in a hazardous driving situation.**
- **This product contains either strobe light(s), halogen light(s), high-intensity LEDs or a combination of these lights. Do not stare directly into these lights. Momentary blindness and/or eye damage could result.**
- **Use only soap and water to clean the outer lens. Use of other chemicals could result in premature lens cracking (crazing) and discoloration. Lens in this condition have significantly reduced effectiveness and should be replaced immediately. Inspect and operate this product regularly to confirm its proper operation and mounting condition. Do not use a pressure washer to clean this product.**
- **It is recommended that these instructions be stored in a safe place and referred to when performing maintenance and/or reinstallation of this product.**
- **FAILURE TO FOLLOW THESE SAFETY PRECAUTIONS AND INSTRUCTIONS COULD RESULT IN DAMAGE TO THE PRODUCT OR VEHICLE AND/OR SERIOUS INJURY TO YOU AND YOUR PASSENGERS!**

**For warranty information regarding this product, visit [www.whelen.com/warranty](http://www.whelen.com/warranty)**

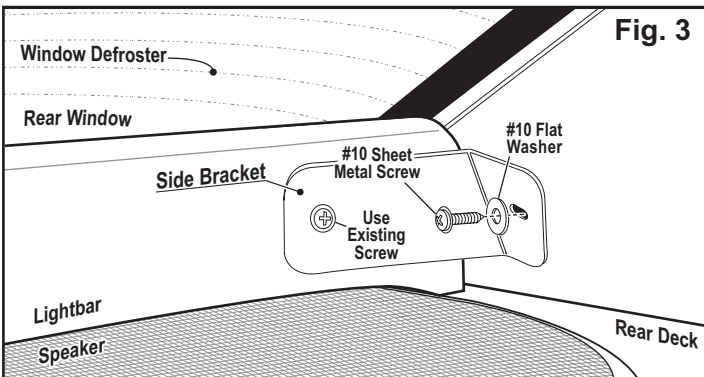
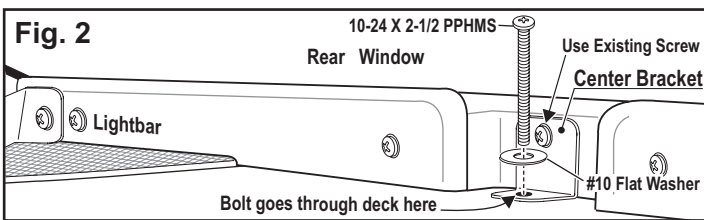
**IMPORTANT!** It is the installers responsibility to make sure that the installation and operation of this product will not interfere with the operation or efficiency of any vehicle equipment.

**Installation:**

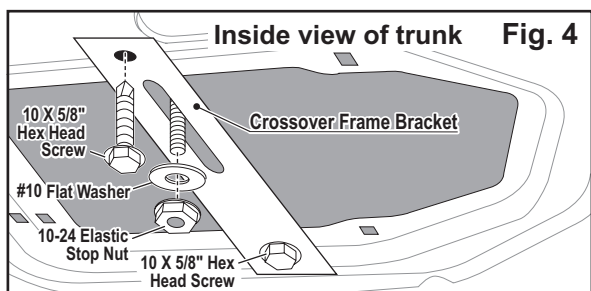
1. Secure the mounting brackets to the lightbar using the supplied hardware. Side brackets are identified by a "D" and "P" for driver or passenger. The center uses an "L" shaped bracket (Figs 2 & 3).
2. Mount the rubber seal to the leading edge of the lightbar housing (Fig. 1) and place the lightbar onto the rear deck in its exact mounting position against the rear window. Be sure the lightbar is centered along the rear deck perfectly parallel with the rear window. Use the rear window defroster lines as a guide. Be sure the two ends of the lightbar align to the same defroster line on both sides.



3. With the lightbar aligned, Take an awl or other suitable tool and push it through the center bracket mounting hole, through the rear deck and into the trunk. Insert the supplied 10-24 X 2-1/2 PPHMS through the bracket and rear deck (Figs 2 & 4).



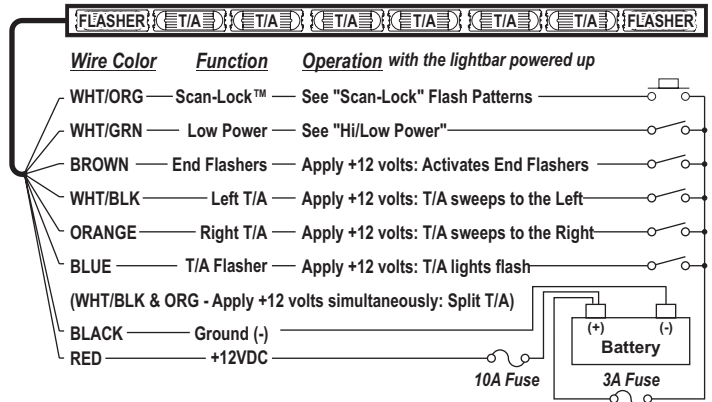
4. In the trunk, attach the crossover frame bracket to the bolt you pushed through the rear deck. The crossover bracket straddles the large hole in the vehicle body. Secure the bracket with the supplied nut and washer, then secure the two sides of the crossover bracket to the body with the supplied self-tapping screws (Fig. 4).
5. Inside the vehicle, secure the two side brackets to the sides of the vehicle interior with the supplied sheet metal screws (Fig. 3).



**Wiring and Operation:**

**WARNING!** All customer supplied wires that connect to the positive terminal of the battery must be sized to supply at least 125% of the maximum operating current and **FUSED** at the battery to carry that load. **DO NOT USE CIRCUIT BREAKERS WITH THIS PRODUCT!**

**Wiring Diagram** All Fuses & Switches are Customer Supplied



**Scan-Lock™ (WHT-ORG):**

**With the T/A activated (WHT/BLK or ORG or Both):**

Scan-Lock will select a flash pattern for the TA's (from TA patterns).

**With the END FLASHERS activated (BRN):**

Scan-Lock will select a pattern for the End Flashers (from Standard Patterns).

**With the BLUE wire activated:**

Scan-Lock will select a standard pattern for the T/A Lighthead's (from Standard Patterns). Do not use Scan-Lock with more than one feature activated.

**Activate the function you wish to change and follow the directions below:**

**TO CYCLE THROUGH ALL PATTERNS:** To cycle forward, apply +12 volts to the WHT/ORG wire for less than 1 second and release. To cycle backward, apply +12 volts to the WHT/ORG wire for more than 1 second and release.

**TO SET A PATTERN AS DEFAULT:** When the desired pattern is displayed, allow it to run for more than 5 seconds. The lighthead will now display this pattern when active.

**TO RESET TO THE FACTORY DEFAULT PATTERN:** Turn off power and apply +12 volts to the WHT/ORG wire while turning power on.

**Standard Patterns:** SignalAlert™ 75 > CometFlash® 75 > SingleFlash 375 > SingleFlash 150 > SingleFlash 75 > ActionFlash™ > ActionScan™

**Traffic Advisor Patterns:** Sequence on Solid > Sequence On / Sequence Off > 1-Lamp TripleFlash™ > 2-Lamp TripleFlash™

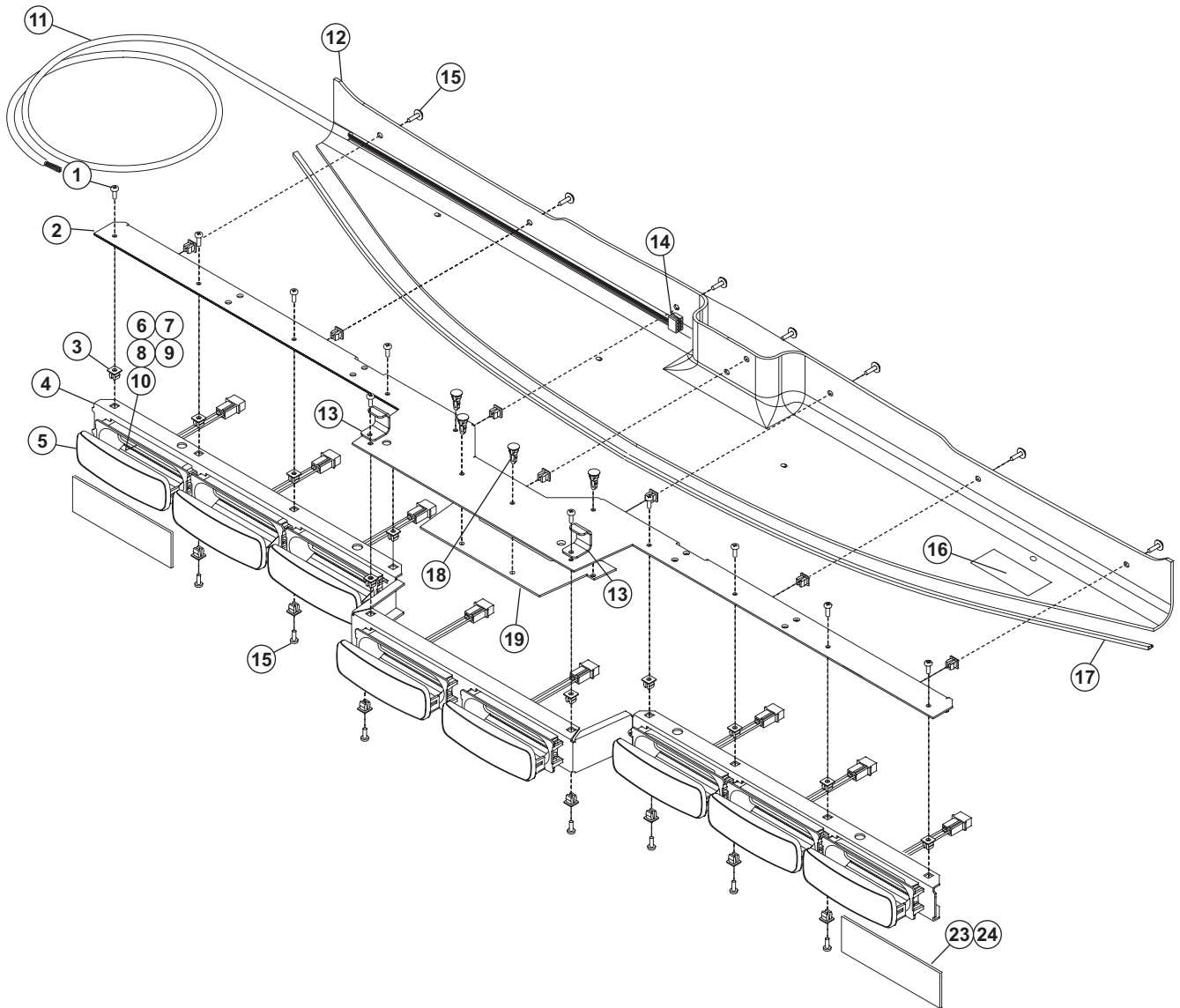
**Hi-Low Power (WHT/GRN):**

When +12VDC is applied to this wire, the lightbar is placed in low power mode. Hi-Low power is not available with units equipped with end flashers.

**For Low Power:** Apply +12VDC to the WHITE/GREEN wire. The unit will continue to operate in low power mode until this voltage is removed. A single pole / single throw switch can be used to control Hi/Low power operation.

**IMPORTANT!** Before returning the vehicle to active service, visually confirm the proper operation of this product, as well as all vehicle components/equipment.

**IMPORTANT WARNING!**  
**CAUTION! DO NOT LOOK DIRECTLY AT THESE LEDS WHILE THEY ARE ON. MOMENTARY BLINDNESS AND/OR EYE DAMAGE COULD RESULT!**



QTY	ITEM	PART NUMBER	DESCRIPTION
*		01-0684559-( )	LIGHTBAR, INNER EDGE® LINEAR T/A
	10	15-06521B-060	SCREW, #6 X 3/8" PPH PLASTI-LOK SS BLACK OX
	1	07-784399-023	PLATE, MOUNTING
	27	13-062C40-16J	SCREW GROMMET, #6 - #8
	1	07-284398-023	BRACKET, LIGHTHEAD
A/R	5	68-3963604-30	LENS, CLEAR, NON-OPTIC SNAP-ON
A/R	6	01-0264260-52	LIGHTHEAD, LINEAR-LED®, RED-STEADY
A/R	7	01-0264260-42	LIGHTHEAD, LINEAR-LED, GREEN-STEADY
A/R	8	01-0264260-32	LIGHTHEAD, LINEAR-LED, WHITE-STEADY
A/R	9	01-0264260-22	LIGHTHEAD, LINEAR-LED, BLUE-STEADY
A/R	10	01-0264260-12	LIGHTHEAD, LINEAR-LED, AMBER-STEADY
	1	46-0743243-01	CABLE, 18GA. TPR 20'
	1	11-484550-000	HOUSING, INT LIGHTBAR, '06 IMPALA REAR
	2	07-243374-023	SPACER, BRACKET '06 IMPALA REAR
	1	39-0408323-04	HOUSING, SOCKET - 8 POS AMP Not shown
	15	15-M23B1C-120	SCREW, M4.2 X 12MM, BLACK OXIDE
	1	10-0523252-__	LABEL, INNER EDGE®, LINEAR T/A
	1	38-0543284-45	SEAL, EXTRUDED, HOUSING-WINDSHIELD
	4	20-0017569-00	SPACER, MTG, PCB
	1	02-0164351-**	PCB ASSY, CONTROL BOARD SMT, REAR
	2	46-0764463-00	HARNESS, / INNER EDGE, LINEAR Not shown
A/R	21	26-0215001-03	TY-WRAP, 3"
	1	01-0484559-00	MOUNTING KIT, '06 IMPALA, REAR Not shown
A/R	23	09-1323251-00	PANEL, FILLER
A/R	24	66-0422815-00	TAPE, MOUNTING - DOUBLE SIDED Not shown