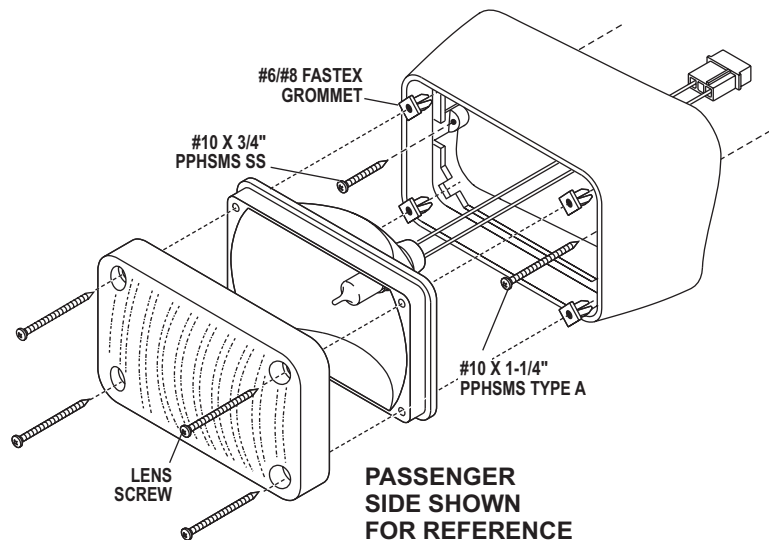


Installation:

1. Position the housing (without the lighthouse) centered (approx.) below the headlight. Mark the location of the two mounting holes onto the mounting surface.
2. Next mark off the location of the wire passage hole. Refer to the lighthouse manual for the size and location.
3. Drill the mounting holes using a drill bit sized for a #10 sheet metal screw. Drill the wire passage hole following the lighthouse manual's specifications.
4. Mount the housing to the vehicle using the supplied sheet metal screws. Note that there is a large and small mounting screw for the two different sized bosses in the housing.
5. Feed the wires through the wire passage hole and secure the lighthouse to the housing using the lighthouse lens screws.
6. Extend the wires to your power source and refer to your lighthouse manual for all wiring and fusing information.

Mounting this product requires drilling holes, the installer **MUST** be sure that no vehicle components or other vital parts could be damaged by the drilling process. Check both sides of the mounting surface before drilling begins. Also de-burr any holes and remove any metal shards or remnants. Install grommets into all wire passage holes.

IMPORTANT! Before returning this vehicle to active service, visually confirm the proper operation of this product, as well as all vehicle components/equipment.



For warranty information regarding this product, visit www.whelen.com/warranty