

WHELEN[®]

ENGINEERING COMPANY INC.

51 Winthrop Road,
Chester, Connecticut 06412-0684
Phone: (860) 526-9504
Fax: (860) 526-4078

Installation Guide: 2G LED Warning/Turn Lighthead

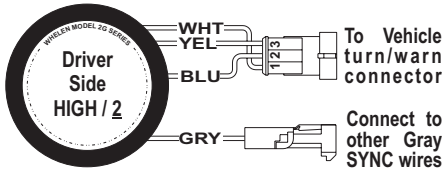
Internet: www.whelen.com
Sales e-mail: autosale@whelen.com
Canadian Sales e-mail: autocan@whelen.com
Customer Service e-mail: custserv@whelen.com

Installation:

WARNING: Mounting this product requires drilling holes, the installer must be sure that no vehicle components or other vital parts could be damaged by the drilling process. Check both sides of the mounting surface before drilling begins. De-burr any holes and remove any metal shards or remnants. Install grommets into all wire passage holes.

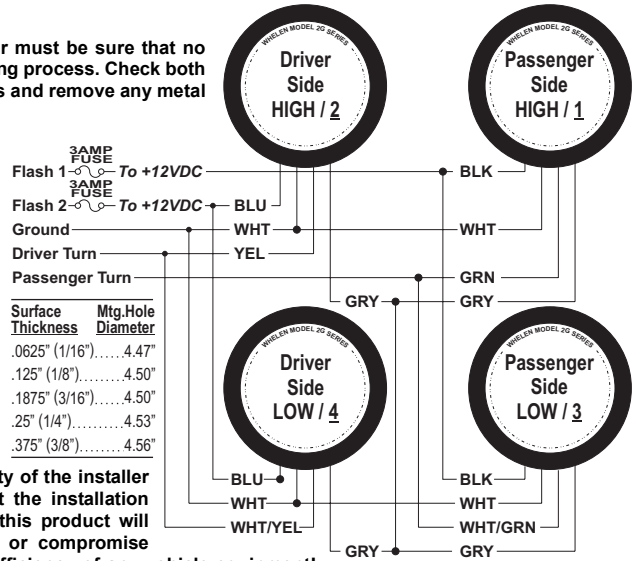
1. Unplug and remove the existing turn/warning lights from the vehicle. Using the hole chart provided, cut an appropriately sized hole based on the thickness of the mounting surface.
2. Install the rubber grommet into the vehicle and the lighthead into the grommet. If your model has no connectors, follow the wiring diagram. If your model has connectors the large connector plugs into the vehicle harness where you removed the old lights and the gray (sync) wires connect to each other. Refer to the labels on the back of the lightheads to be sure they are installed in the correct locations on the vehicle.

IMPORTANT! All customer supplied wires that connect to the positive terminal of the battery must be sized to supply at least 125% of the maximum operating current and **FUSED** at the battery to carry that load. **DO NOT USE CIRCUIT BREAKERS WITH THIS PRODUCT.**



©2006 Whelen Engineering Company Inc.
Form No.14075B (020907)

For warranty information regarding this product, visit www.whelen.com/warranty



IMPORTANT! It is the responsibility of the installer to make sure that the installation and operation of this product will not interfere with or compromise the operation or efficiency of any vehicle equipment! Before returning the vehicle to active service, visually confirm the proper operation of this product, as well as all vehicle components/equipment.

WHELEN[®]

ENGINEERING COMPANY INC.

51 Winthrop Road,
Chester, Connecticut 06412-0684
Phone: (860) 526-9504
Fax: (860) 526-4078

Installation Guide: 2G LED Warning/Turn Lighthead

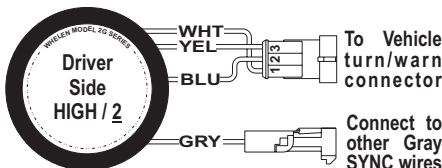
Internet: www.whelen.com
Sales e-mail: autosale@whelen.com
Canadian Sales e-mail: autocan@whelen.com
Customer Service e-mail: custserv@whelen.com

Installation:

WARNING: Mounting this product requires drilling holes, the installer must be sure that no vehicle components or other vital parts could be damaged by the drilling process. Check both sides of the mounting surface before drilling begins. De-burr any holes and remove any metal shards or remnants. Install grommets into all wire passage holes.

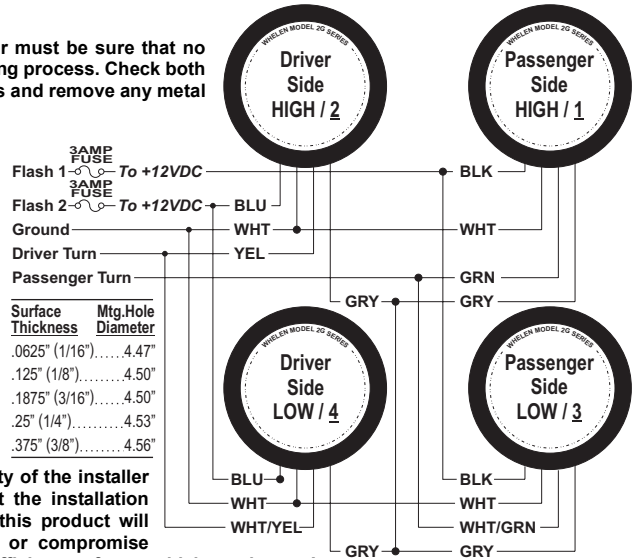
1. Unplug and remove the existing turn/warning lights from the vehicle. Using the hole chart provided, cut an appropriately sized hole based on the thickness of the mounting surface.
2. Install the rubber grommet into the vehicle and the lighthead into the grommet. If your model has no connectors, follow the wiring diagram. If your model has connectors the large connector plugs into the vehicle harness where you removed the old lights and the gray (sync) wires connect to each other. Refer to the labels on the back of the lightheads to be sure they are installed in the correct locations on the vehicle.

IMPORTANT! All customer supplied wires that connect to the positive terminal of the battery must be sized to supply at least 125% of the maximum operating current and **FUSED** at the battery to carry that load. **DO NOT USE CIRCUIT BREAKERS WITH THIS PRODUCT.**



©2006 Whelen Engineering Company Inc.
Form No.14075B (020907)

For warranty information regarding this product, visit www.whelen.com/warranty



IMPORTANT! It is the responsibility of the installer to make sure that the installation and operation of this product will not interfere with or compromise the operation or efficiency of any vehicle equipment! Before returning the vehicle to active service, visually confirm the proper operation of this product, as well as all vehicle components/equipment.