

# WHELEN<sup>®</sup>

## ENGINEERING COMPANY INC.

51 Winthrop Road  
Chester, Connecticut 06412-0684  
Phone: (860) 526-9504  
Fax: (860) 526-4078  
Internet: [www.whelen.com](http://www.whelen.com)  
Sales e-mail: [autosale@whelen.com](mailto:autosale@whelen.com)  
Canadian Sales e-mail: [canadiansales@whelen.com](mailto:canadiansales@whelen.com)  
Customer Service e-mail: [custserv@whelen.com](mailto:custserv@whelen.com)

**Installation Guide:**  
**Liberty™ and Freedom® Series**  
**WeCan® Lightbars**

### Warnings to Installers

Whelen's emergency vehicle warning devices must be properly mounted and wired in order to be effective and safe. Read and follow all of Whelen's written instructions when installing or using this device. Emergency vehicles are often operated under high speed stressful conditions which must be accounted for when installing all emergency warning devices. Controls should be placed within convenient reach of the operator so that they can operate the system without taking their eyes off the roadway. Emergency warning devices can require high electrical voltages and/or currents. Properly protect and use caution around live electrical connections. Grounding or shorting of electrical connections can cause high current arcing, which can cause personal injury and/or vehicle damage, including fire. Many electronic devices used in emergency vehicles can create or be affected by electromagnetic interference. Therefore, after installation of any electronic device it is necessary to test all electronic equipment simultaneously to insure that they operate free of interference from other components within the vehicle. Never power emergency warning equipment from the same circuit or share the same grounding circuit with radio communication equipment. All devices should be mounted in accordance with the manufacturer's instructions and securely fastened to vehicle elements of sufficient strength to withstand the forces applied to the device. Driver and/or passenger air bags (SRS) will affect the way equipment should be mounted. This device should be mounted by permanent installation and within the zones specified by the vehicle manufacturer, if any. Any device mounted in the deployment area of an air bag will damage or reduce the effectiveness of the air bag and may damage or dislodge the device. Installer must be sure that this device, its mounting hardware and electrical supply wiring does not interfere with the air bag or the SRS wiring or sensors. Mounting the unit inside the vehicle by a method other than permanent installation is not recommended as unit may become dislodged during swerving; sudden braking or collision. Failure to follow instructions can result in personal injury. Whelen assumes no liability for any loss resulting from the use of this warning device. **PROPER INSTALLATION COMBINED WITH OPERATOR TRAINING IN THE PROPER USE OF EMERGENCY WARNING DEVICES IS ESSENTIAL TO INSURE THE SAFETY OF EMERGENCY PERSONNEL AND THE PUBLIC.**

### Warnings to Users

Whelen's emergency vehicle warning devices are intended to alert other operators and pedestrians to the presence and operation of emergency vehicles and personnel. However, the use of this or any other Whelen emergency warning device does not guarantee that you will have the right-of-way or that other drivers and pedestrians will properly heed an emergency warning signal. Never assume you have the right-of-way. It is your responsibility to proceed safely before entering an intersection, driving against traffic, responding at a high rate of speed, or walking on or around traffic lanes. Emergency vehicle warning devices should be tested on a daily basis to ensure that they operate properly. When in actual use, the operator must ensure that both visual and audible warnings are not blocked by vehicle components (i.e.: open trunks or compartment doors), people, vehicles, or other obstructions. It is the user's responsibility to understand and obey all laws regarding emergency warning devices. The user should be familiar with all applicable laws and regulations prior to the use of any emergency vehicle warning device. Whelen's audible warning devices are designed to project sound in a forward direction away from the vehicle occupants. However, because sustained periodic exposure to loud sounds can cause hearing loss, all audible warning devices should be installed and operated in accordance with the standards established by the National Fire Protection Association.

### Safety First

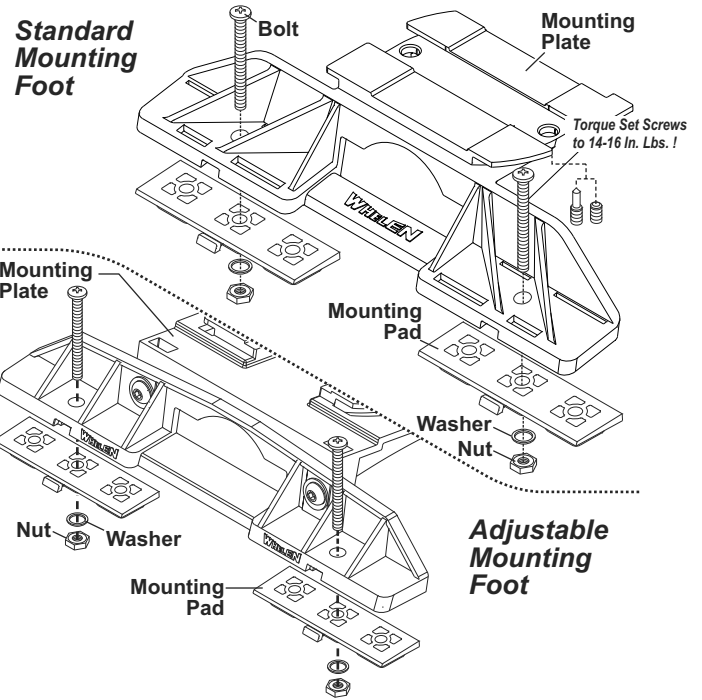
This document provides all the necessary information to allow your Whelen product to be properly and safely installed. Before beginning the installation and/or operation of your new product, the installation technician and operator must read this manual completely. Important information is contained herein that could prevent serious injury or damage.

- **Proper installation of this product requires the installer to have a good understanding of automotive electronics, systems and procedures.**
- **Whelen Engineering requires the use of waterproof butt splices and/or connectors if that connector could be exposed to moisture.**
- **Failure to use specified installation parts and/or hardware will void the product warranty.**
- **If mounting this product requires drilling holes, the installer MUST be sure that no vehicle components or other vital parts could be damaged by the drilling process. Check both sides of the mounting surface before drilling begins. Also de-burr the holes and remove any metal shards or remnants. Install grommets into all wire passage holes.**
- **If this manual states that this product may be mounted with suction cups, magnets, tape or Velcro®, clean the mounting surface with a 50/50 mix of isopropyl alcohol and water and dry thoroughly.**
- **Do not install this product or route any wires in the deployment area of your air bag. Equipment mounted or located in the air bag deployment area will damage or reduce the effectiveness of the air bag, or become a projectile that could cause serious personal injury or death. Refer to your vehicle owner's manual for the air bag deployment area. The User/Installer assumes full responsibility to determine proper mounting location, based on providing ultimate safety to all passengers inside the vehicle.**
- **For this product to operate at optimum efficiency, a good electrical connection to chassis ground must be made. The recommended procedure requires the product ground wire to be connected directly to the NEGATIVE (-) battery post (this does not include products that use cigar power cords).**
- **If this product uses a remote device for activation or control, make sure that this device is located in an area that allows both the vehicle and the device to be operated safely in any driving condition.**
- **Do not attempt to activate or control this device in a hazardous driving situation.**
- **This product contains either strobe light(s), halogen light(s), high-intensity LEDs or a combination of these lights. Do not stare directly into these lights. Momentary blindness and/or eye damage could result.**
- **Use only soap and water to clean the outer lens. Use of other chemicals could result in premature lens cracking (crazing) and discoloration. Lenses in this condition have significantly reduced effectiveness and should be replaced immediately. Inspect and operate this product regularly to confirm its proper operation and mounting condition. Do not use a pressure washer to clean this product.**
- **It is recommended that these instructions be stored in a safe place and referred to when performing maintenance and/or reinstallation of this product.**
- **FAILURE TO FOLLOW THESE SAFETY PRECAUTIONS AND INSTRUCTIONS COULD RESULT IN DAMAGE TO THE PRODUCT OR VEHICLE AND/OR SERIOUS INJURY TO YOU AND YOUR PASSENGERS!**

**IMPORTANT! The lightbar should be a minimum of 16" from any radio antennas!**

**Permanent Mounting:**

1. Locate the mounting foot and mounting plate included with your lightbar. If not already present, install the mounting plate onto the mounting foot. When properly positioned, this plate is centered from side-to-side on the mounting foot.
2. Flip the lightbar upside-down to expose the bottom of the extrusion and place the mounting foot onto the extrusion.
3. Rotate the mounting foot 90° in a counter-clockwise direction. Make sure that the edges of the mounting foot swing into position under the extrusion mounting lip.
4. Repeat this procedure for the remaining mounting foot and return the lightbar to its right side-up position.
5. Position the lightbar onto the vehicle roof in the desired mounting location. One often selected location is directly above the B-pillars. This area is the strongest part of the roof. Refer to your lightbar manual for cable exit location, to be sure that the lightbar is facing the proper direction.
6. Adjust the two mounting feet outwards so that they are as close to the edge of the roof as possible. Make sure that both mounting feet are in full contact with the roof. Be sure that there is no less than 1/2" clearance between the roof and the lightbar at their closest point. When the mounting feet are in their proper position, lightly tighten the mounting foot allen head set screws.
7. Turn the lightbar upside-down and tighten all of the set screws from step 6 (2 or 4 per side) to 14-16 In. Lbs.
8. Note that on the adjustable foot, use the hole in the pad as a guide to drill the two holes into the mounting foot at the locations shown.



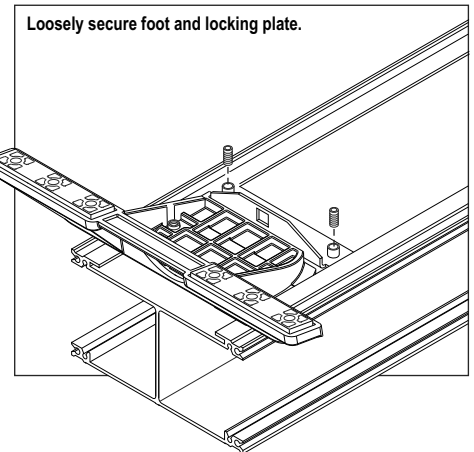
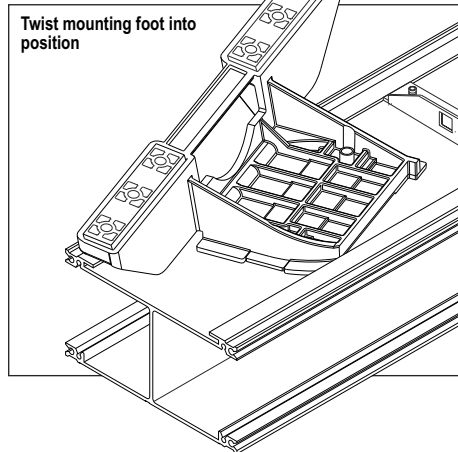
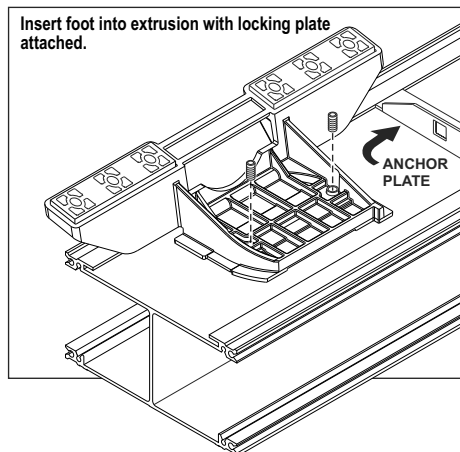
9. Place the lightbar in its final mounting position on the vehicle, mark the mounting hole locations off onto the mounting surface, remove the lightbar and drill the mounting holes.
10. Place the lightbar back onto the vehicle lined up with the mounting holes and secure the mounting feet to the vehicle using the supplied hardware as shown.

**Strap Mounting:**

1. Locate the mounting foot, mounting plate and tinnerman plate included with your lightbar. If not already present, install the mounting plate onto the mounting foot. When properly positioned, this plate is centered from side-to-side on the mounting foot.
2. Flip the lightbar upside-down to expose the bottom of the extrusion and place the mounting foot onto the extrusion.
3. Rotate the mounting foot 90° in a counter-clockwise direction. Make sure that the edges of the mounting foot swing into position under the extrusion mounting lip. Install a tinnerman plate onto the extrusion in the same manner.
4. Repeat this procedure for the remaining mounting foot and tinnerman plate and return the lightbar to its right side-up position.
5. Position the lightbar onto the vehicle roof in the desired mounting location. One often selected location is directly above the B-pillars. This area is the

strongest part of the roof. Refer to your lightbar manual for cable exit location, to be sure that the lightbar is facing the proper direction.

6. Adjust the two mounting feet outwards so that they are as close to the edge of the roof as possible. Both mounting feet must be in full contact with the roof. Be sure that there is no less than 1/2" clearance between the roof and the lightbar at their closest point. When the mounting feet are in their proper position, lightly tighten the mounting foot allen head set screws.
7. Return the lightbar to an upside-down position. Slide each tinnerman plate outwards until it is fully engaged with its corresponding mounting foot. With the mounting feet and tinnerman plates in their proper positions tighten all of the set screws (2 or 4 per side) to 14-16 In. Lbs. Flip the lightbar right side-up and return it to its mounting position.
8. Open both drivers side doors. In the area directly below the mounting foot, carefully pull the drivers side weatherstrip away from the vehicle.



- Remove enough so that the area where the mounting strap will be secured to the vehicle is exposed. Repeat procedure for passenger side.
- Insert the mounting strap through the mounting foot. Be sure that the strap fits flush against the area where it will be secured onto the vehicle. Insert the tension bolt through the mounting strap and into the tinnerman nut on the tinnerman plate. Tighten slightly with a long shafted, Phillips screwdriver. Repeat procedure for passenger side.
  - If your mounting strap has mounting holes in the end of the strap, use these holes as a template to drill appropriately sized pilot holes through the strap and into the vehicle. Repeat for passenger side of the vehicle.

- Firmly tighten the tension bolts to secure the lightbar to the vehicle.

**NOTE: Model MKAJ is an adjustable mounting foot. On this model you may loosen the screws on the rear of the foot and adjust the angle of the lightbar. This feature can be used if the angle of the roof is not level with the road.**

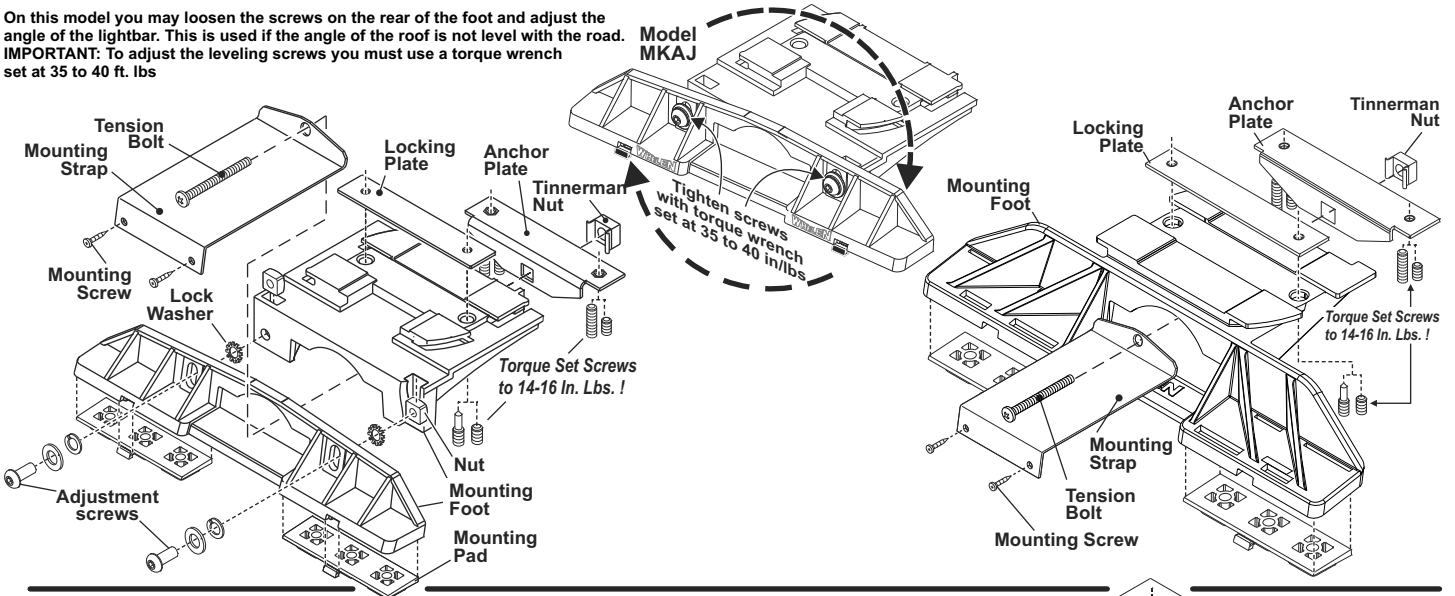
**IMPORTANT: To adjust the leveling screws you must use a torque wrench set at 35 to 40 in./lbs.**

### Adjustable Mounting Foot / Model MKAJ

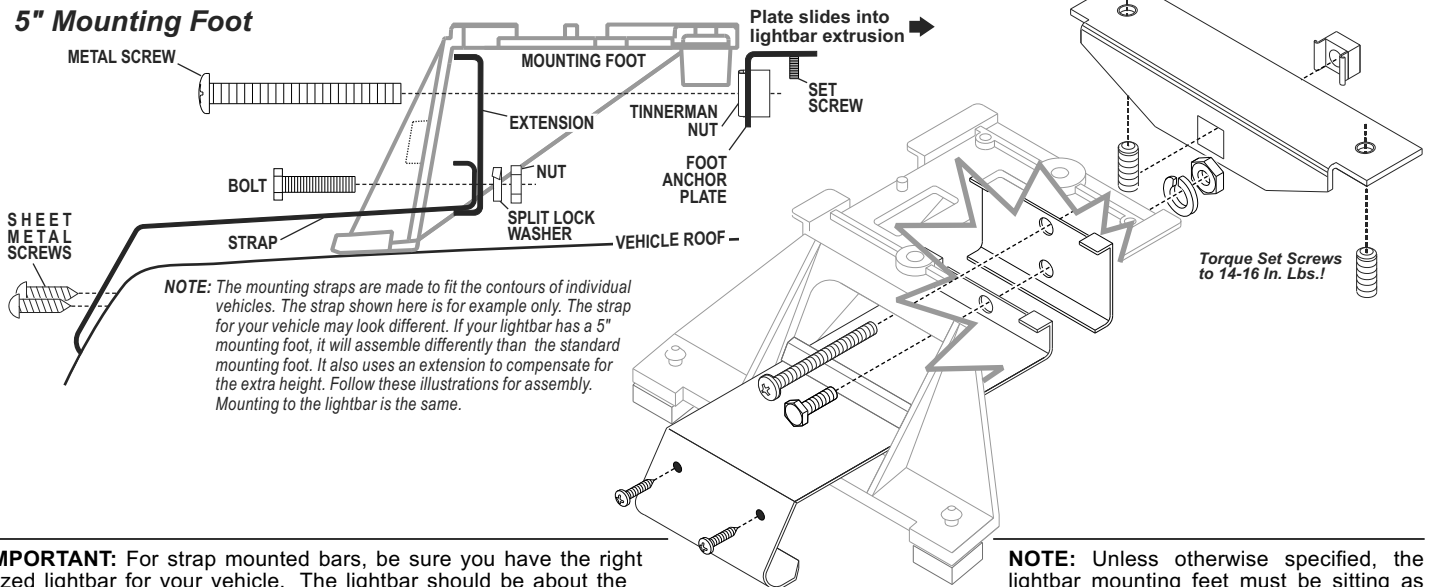
◀ For Reference Only ▶

### Standard Mounting Foot / Model MKEZ

On this model you may loosen the screws on the rear of the foot and adjust the angle of the lightbar. This is used if the angle of the roof is not level with the road. **IMPORTANT: To adjust the leveling screws you must use a torque wrench set at 35 to 40 ft. lbs**

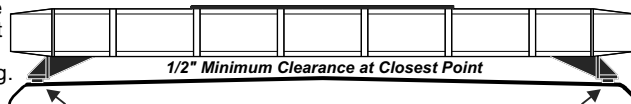


### 5" Mounting Foot



**IMPORTANT:** For strap mounted bars, be sure you have the right sized lightbar for your vehicle. The lightbar should be about the same width as the vehicle roof. If the lightbar is too large or small it will not mount properly to the vehicle and may shift or come loose during driving.

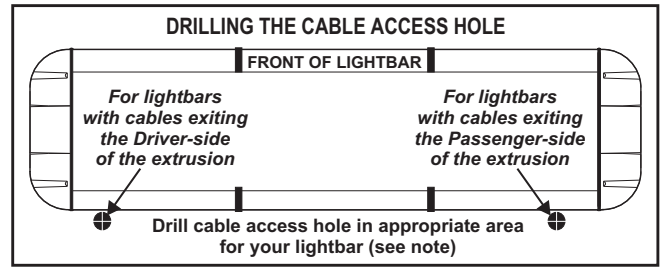
**NOTE:** Unless otherwise specified, the lightbar mounting feet must be sitting as close to the edge of the roof as possible. Mounting feet must also be in full contact with the roof and not be hanging off the edge.



**IMPORTANT! It is the responsibility of the installation technician to make sure that the installation and operation of this product will not interfere with or compromise the operation or efficiency of any vehicle equipment!**

### Routing your Lightbar Cable(s):

1. To protect the headliner from damage caused by drilling the cable access hole through the vehicle roof, allow a 5" to 7" distance between roof and headliner by lowering the headliner before drilling.
2. Using a 1" hole saw, drill the cable access hole.



**NOTE: There may be a roof support member that spans the distance between the driver's and passenger's side. DO NOT DRILL THROUGH THIS MEMBER! Adjust the location until the hole can be drilled without contacting this support member.**

3. Use a round file to smooth and de-burr the edges of the hole.
4. Install a 1" grommet (user supplied) into the cable access hole.
5. Insert the cable(s) through the cable access hole into the vehicle. Use RTV silicone to weatherproof the access hole after the cable(s) are pulled completely into the vehicle.

Route the cable(s) one at a time to their respective destinations (power cable to vehicle battery; control cable to customer switch panel). It is left to the installation technician's discretion to select a path for these cables that will both protect the cables from possible damage and not interfere with the operation of any other vehicle components or equipment. Refer to the instructions included with your switches for switch wiring information.

**IMPORTANT AIR BAG WARNING!** Do not install this product or route any wires in the air bag deployment zone of your vehicle. Equipment mounted or located in air bag deployment zones will damage or reduce the effectiveness of the air bag, or become a projectile that could cause serious personal injury or death. Refer to your vehicle owners manual to learn the air bag deployment zones for the vehicle. The User/Installer assumes full responsibility to determine proper mounting location, based on providing ultimate safety to all passengers inside the vehicle.

### Connecting the Power Cable:

**WARNING! All customer supplied wires that connect to the positive terminal of the battery must be sized to supply at least 125% of the maximum operating current and FUSED at the battery to carry that load. DO NOT USE CIRCUIT BREAKERS WITH THIS PRODUCT!**

1. Follow the factory wiring harness through the firewall. It may be necessary to drill a hole in the firewall. If so, be absolutely sure that there are no components that could be damaged by drilling. After the hole has been drilled, insert a grommet to protect the cable.
2. Route the cable along the factory wiring harness towards the battery. Install a 40 amp fuse block (customer supplied) on the end of the RED wire in the power cable. **NOTE: Remove the fuse from the fuse block before connecting any wires to the battery.**
3. Connect the BLACK wire to Chassis Ground.

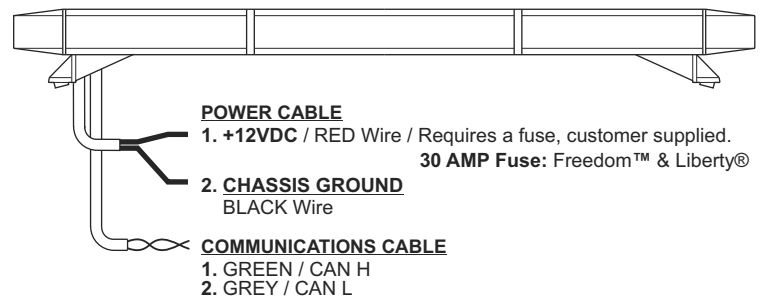
### Connecting the Communication Cable:

Splice the GREEN and GREY wires from the lightbar to the GREEN and GREY wires from the Whelen WC Controller.

### Troubleshooting:

Your lightbar should now be fully operational. If it is not functioning properly, check your connections for the following:

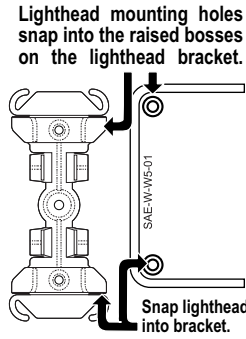
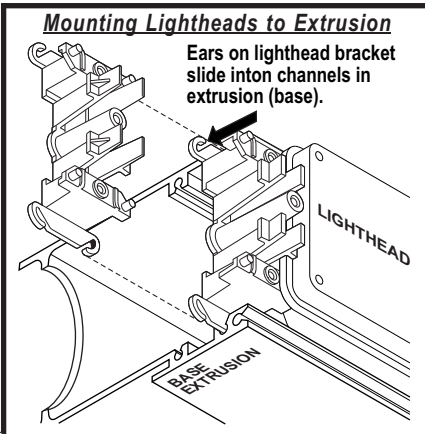
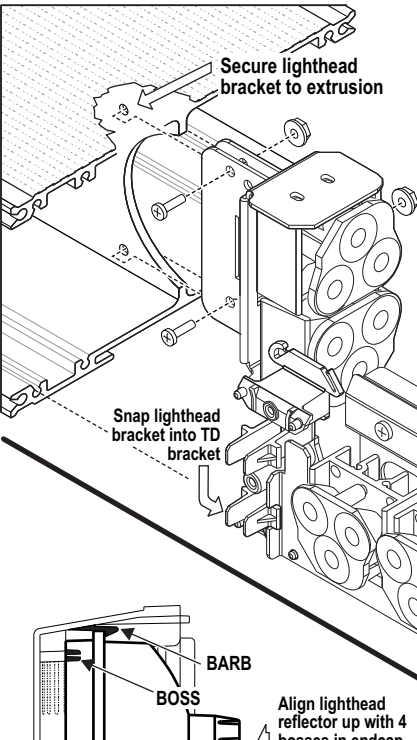
- The positive wire (RED) is properly connected to the battery, by way of the user supplied fuse block.
- A working fuse of the correct amperage is installed in the fuse block (See illustration above, for the specific fuse rating for your lightbar).
- The ground wire (BLACK) is properly connected to the factory ground. Be sure that the wire is fully grounded to this location.
- The two communication wires (GREEN and GREY) are properly connected to their communication designations.



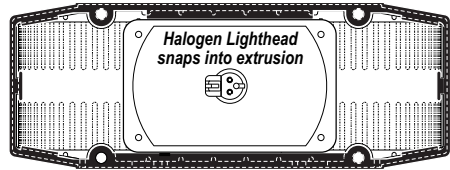
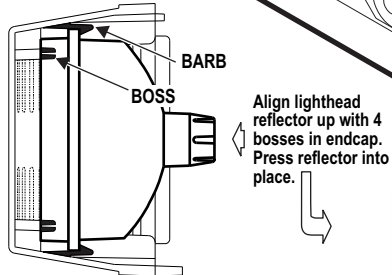
If these connections are good, contact your Whelen® representative for further assistance.

Servicing: Freedom™ Lightbar

LR-11 Take-down and Alley Light



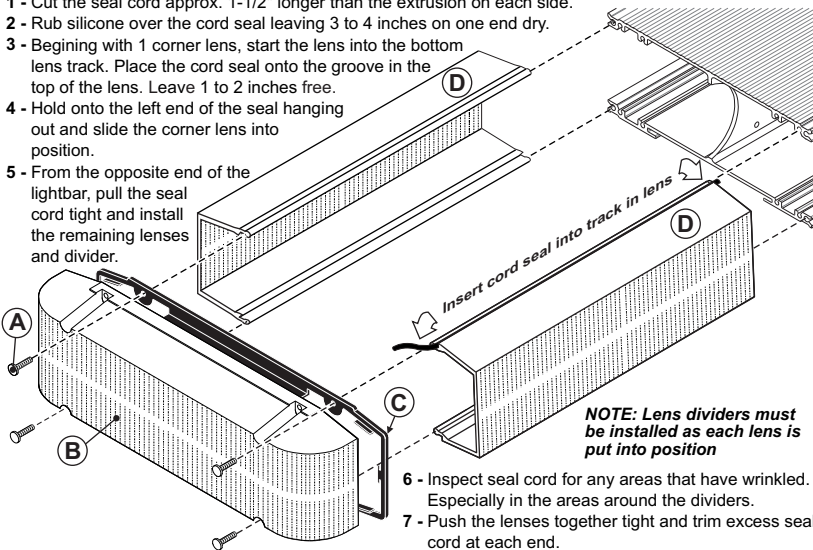
Gasket & Halogen Alley Light



Remove the 4 screws (A) that hold the endcap (B) on and pull the endcap and gasket (C) off. Slide lenses (D) out of the lightbar, to gain access to the extrusion. When reinstalling the lenses and spacers, install the cord seal (NFPA / See below). When reinstalling the endcap, place the endcap gasket into its position on the endcap and line up all the tabs and holes. Spacers (not shown) mount the same as lenses.

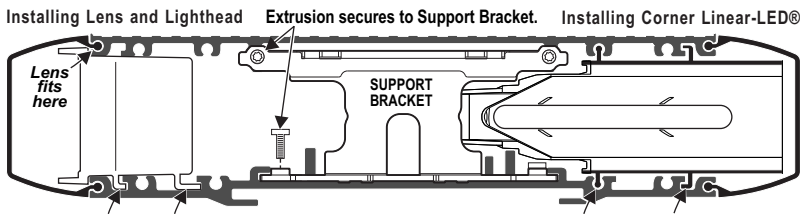
**Seal Cord Installation / NFPA Only:**

- 1 - Cut the seal cord approx. 1-1/2" longer than the extrusion on each side.
- 2 - Rub silicone over the cord seal leaving 3 to 4 inches on one end dry.
- 3 - Beginning with 1 corner lens, start the lens into the bottom lens track. Place the cord seal onto the groove in the top of the lens. Leave 1 to 2 inches free.
- 4 - Hold onto the left end of the seal hanging out and slide the corner lens into position.
- 5 - From the opposite end of the lightbar, pull the seal cord tight and install the remaining lenses and divider.



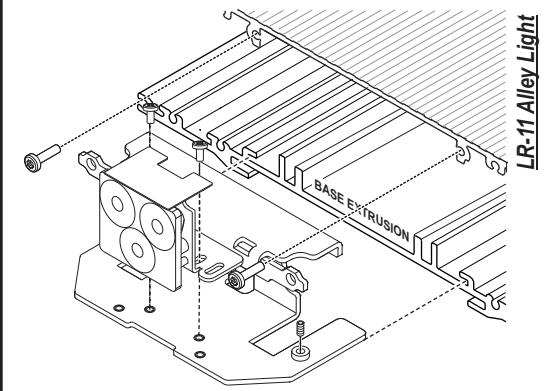
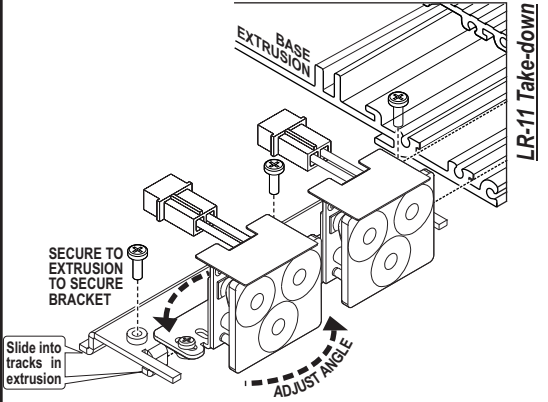
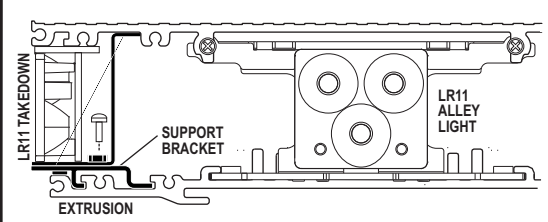
- 6 - Inspect seal cord for any areas that have wrinkled. Especially in the areas around the dividers.
- 7 - Push the lenses together tight and trim excess seal cord at each end.

**BASE EXTRUSION SIDE VIEW**



Insert the tabs on the lighthouse housing, into the channels in the extrusion.

Servicing: Liberty Lightbar

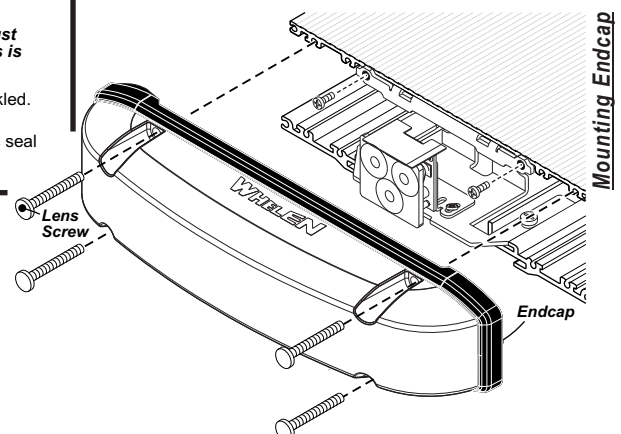


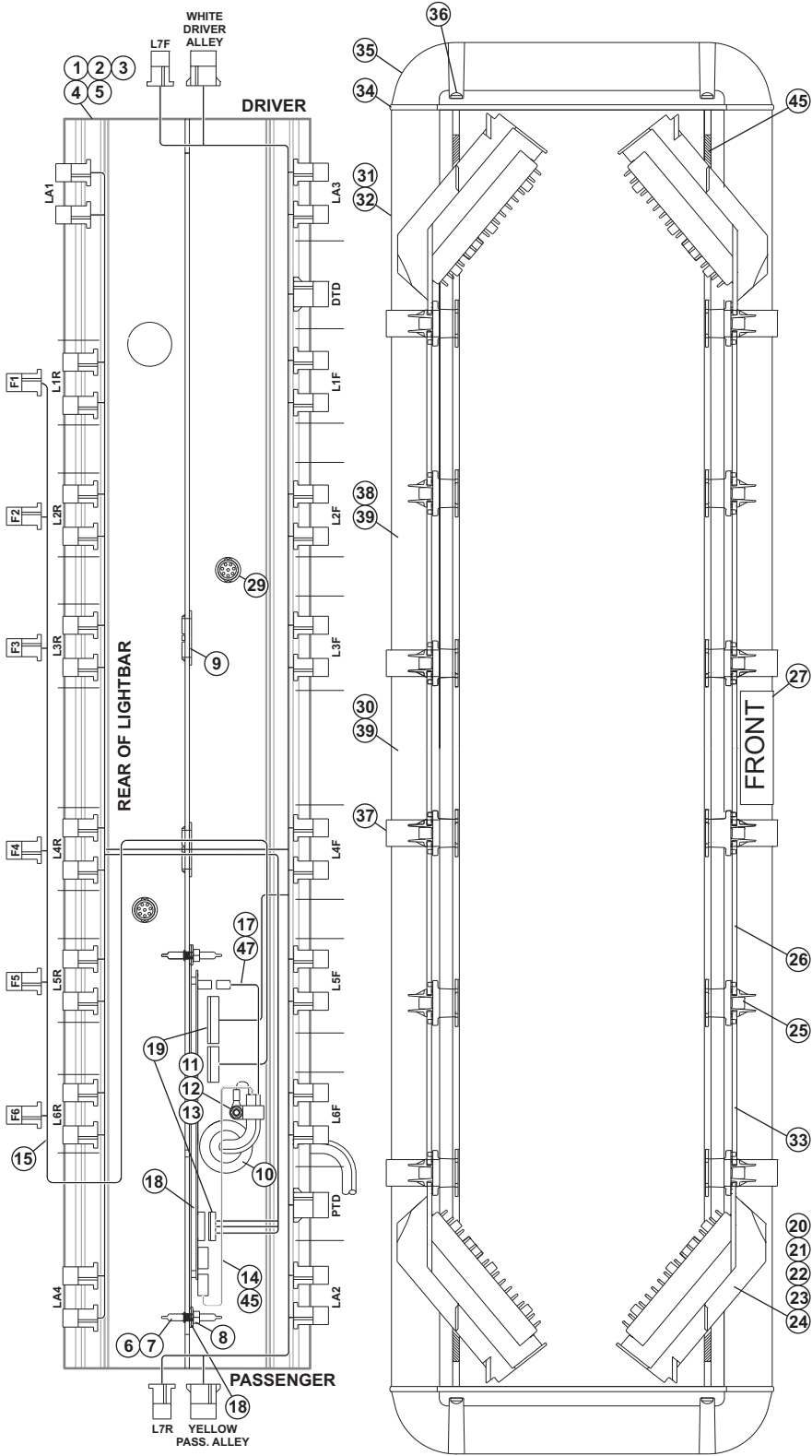
Endcap, Gasket, Lenses & Spacers Installation

**Installing Lens and Lighthouse**

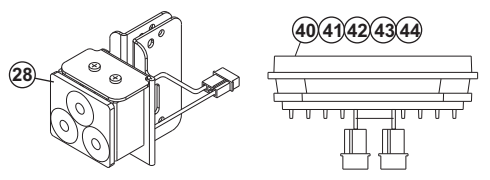
**Extrusion secures to Support Bracket.**

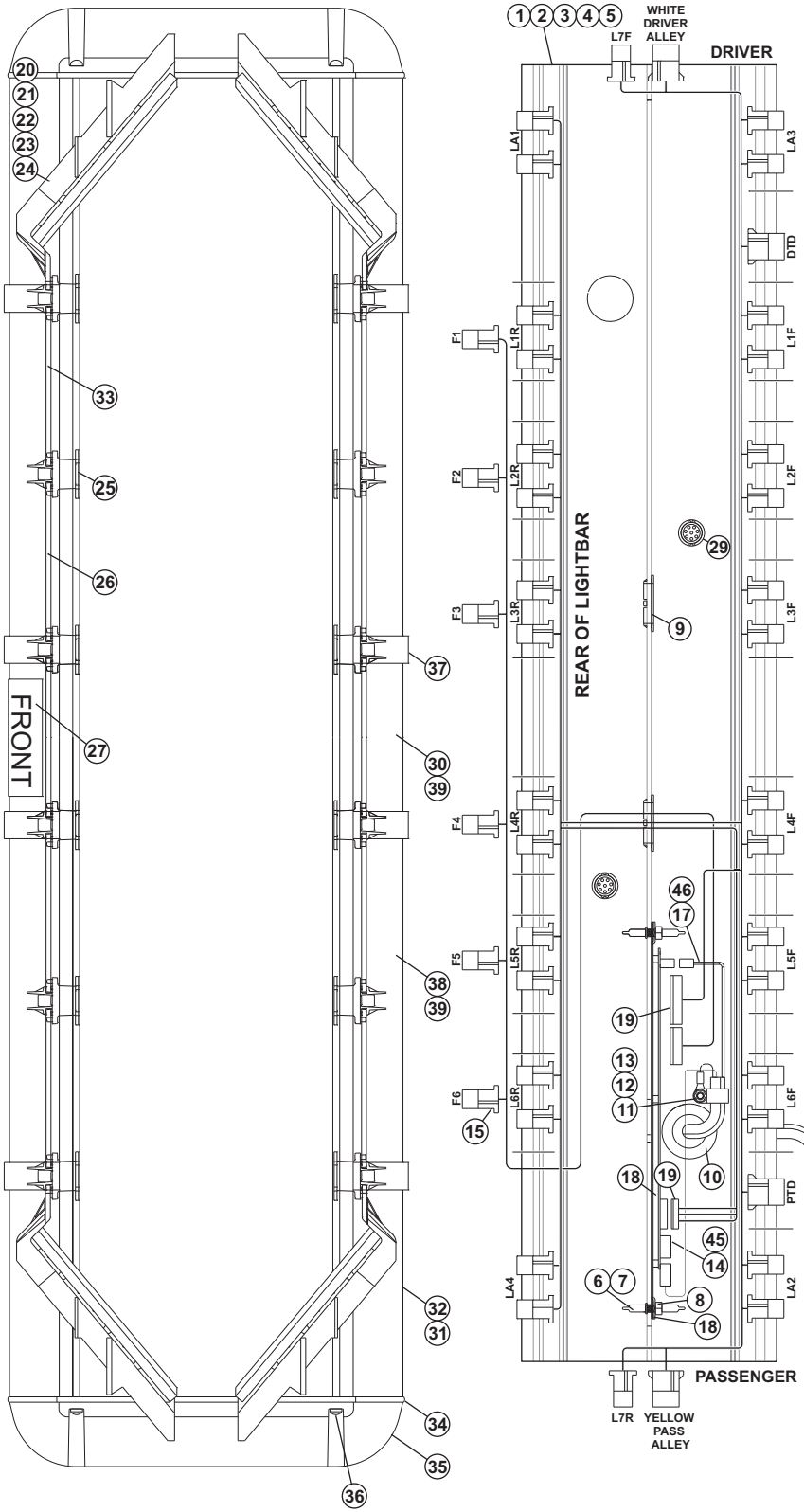
**Installing Corner Linear-LED**



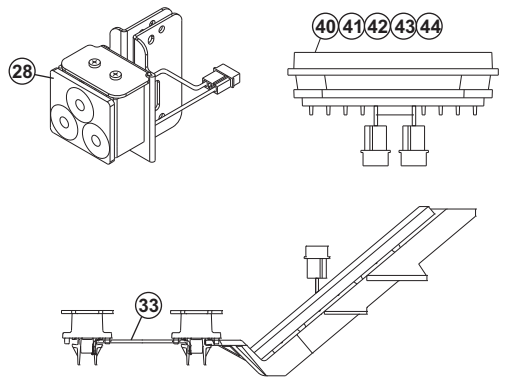


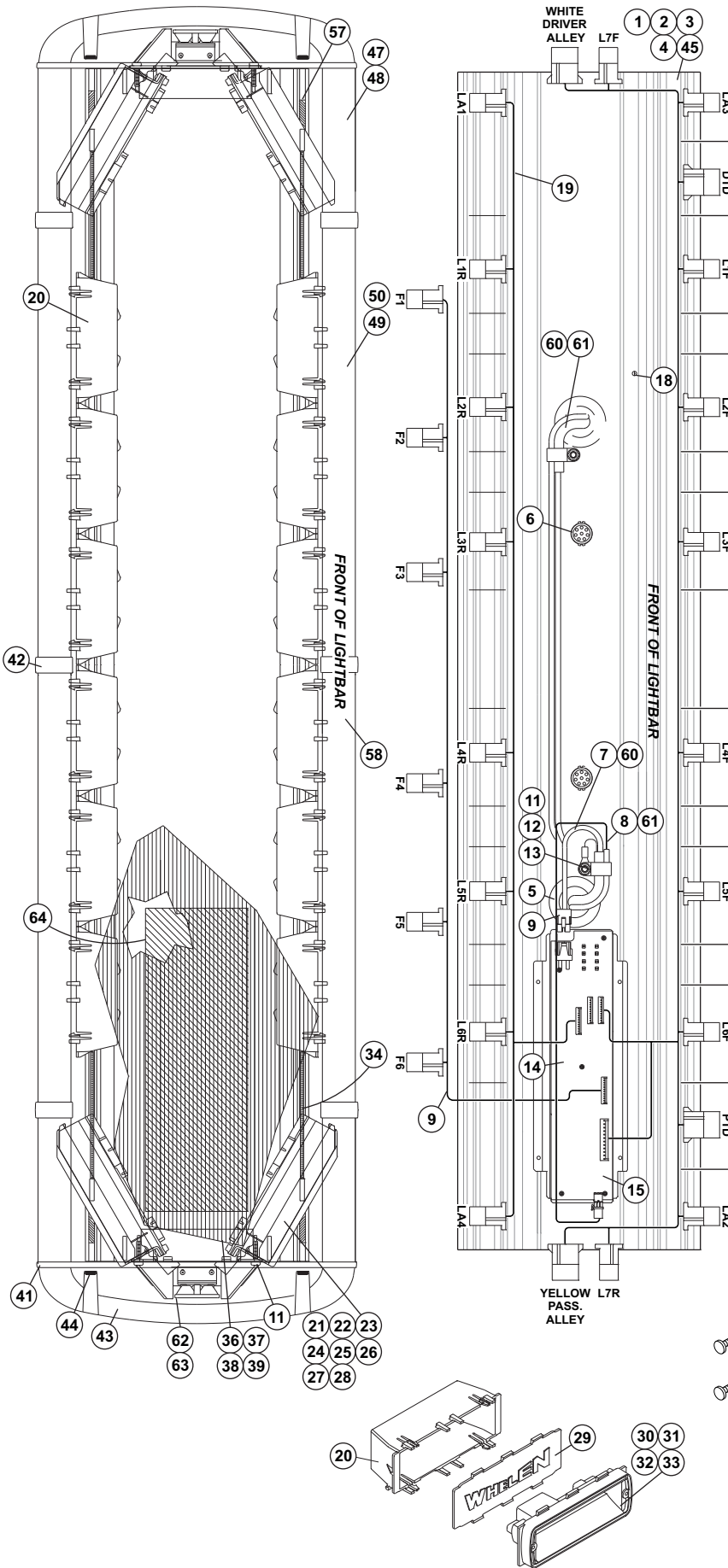
QTY.	QTY.	QTY.	QTY.	ITEM	PART NUMBER	DESCRIPTION
		*	*		01-0684668-	Freedom™ WeCan® R/R/B/B 50"
		*	*		01-0684668-	Freedom™ WeCan® R/R/B/B 55"
*					01-0684668-	Freedom™ WeCan® R/R/B/B 60"
*					01-0684668-	Freedom™ WeCan® R/R/B/B 44"
1	-	-	-	1	11-363390-000	BASE EXTRUSION (40.375")
-	-	-	1	2	11-363141-000	BASE EXTRUSION (45.75")
-	-	1	-	3	11-363142-000	BASE EXTRUSION (51.125")
-	1	-	-	4	11-363143-000	BASE EXTRUSION (56.50")
1	1	1	1	5	10-0523067-02	LABEL, MODEL & SERIAL NO.
2	2	2	2	6	22-0542701-00	MTG. STUD
4	4	4	4	7	22-0416982-00	PROTECTIVE COVER
2	2	2	2	8	13-130111-072	NUT, 1/4-20 ELASTIC STOP (316 SS)
2	2	2	2	9	21-242401-000	BUSHING, 1-5/8"
1	1	1	1	10	21-11245004-1	GROMMET, 1.562"
1	1	1	1	11	14-104216-160	#10-24 x 1 PPHMS
1	1	1	1	12	13-104111-063	NUT, #10-24 WHIZ
1	1	1	1	13	26-0115037-08	CABLE CLAMP, 1/2"
1	1	1	1	14	46-0743196-17	CABLE, 2/C 10GA (17')
A/R	A/R	A/R	A/R	15	46-0784851-01	HARNES, TA, FREEDOM WC
1	1	1	1	17	46-0743442-02	CABLE, 2/C 20GA 17'
1	1	1	1	18	01-0264939-00	POWER/COMM. "WC"
1	1	1	1	19	46-0985997-00	HARNES, INT. FREEDOM "WC"
-	-	-	-	20	01-026B807-10	CORNER REFLECTOR LED AMB
2	2	2	2	21	01-026B807-20	CORNER REFLECTOR LED BLU
-	-	-	-	22	01-026B807-30	CORNER REFLECTOR LED WHT
-	-	-	-	23	01-026B807-40	CORNER REFLECTOR LED GRN
2	2	2	2	24	01-026B807-50	CORNER REFLECTOR LED RED
12	18	18	14	25	07-263103-000	MOUNTING BRACKET
10	16	12	12	26	09-1363158-00	FILLER PANEL, "400" SERIES
A/R	A/R	A/R	A/R	27	10-0322935-00	LABEL, "FRONT"
A/R	A/R	A/R	A/R	28	01-026C368-30	SINGLE LR11 ALLEY FREEDOM
2	2	2	2	29	21-7263998-00	VENT, 3/4"
2	-	-	-	30	68-1983816-30	LENS, 5.00" CLEAR
4	4	-	4	31	68-1983817-30	LENS, 6.562" CLEAR
-	-	4	-	32	68-1984104-30	LENS, 9.25" CLEAR
-	-	4	-	33	07-242815-000	BRACKET, SPACER
2	2	2	2	34	38-0283381-00	GASKET, ENDCAP
2	2	2	2	35	68-1183369-30	ENDCAP, CLEAR
8	8	8	8	36	14-104286-16JB	#10-24 x 1-1/4" TX. PH. SCREW SHLDR
8	8	6	6	37	02-0341448-30	LENS DIVIDER ASSY. (CLEAR)
-	4	4	4	38	68-1984105-30	LENS, 15.75" CLEAR
4	2	-	-	39	68-1183491C02	LENS, 10.375" CLEAR
A/R	A/R	A/R	A/R	40	01-0286361211	LINEAR LED 400 AMB GEN III AMP
A/R	A/R	A/R	A/R	41	01-0286361222	LINEAR LED 400 BLU GEN III AMP
A/R	A/R	A/R	A/R	42	01-0286361233	LINEAR LED 400 WHT GEN III AMP
A/R	A/R	A/R	A/R	43	01-0286361244	LINEAR LED 400 GRN GEN III AMP
A/R	A/R	A/R	A/R	44	01-0286361255	LINEAR LED 400 RED GEN III AMP
4	4	4	4	45	20-0042765-00	SPACER CORNER STROBE
A/R	A/R	A/R	A/R	46	46-0743196-25	CABLE, 2/C 10GA (25')
A/R	A/R	A/R	A/R	47	46-0743442-03	CABLE, 2/C 20GA 25'



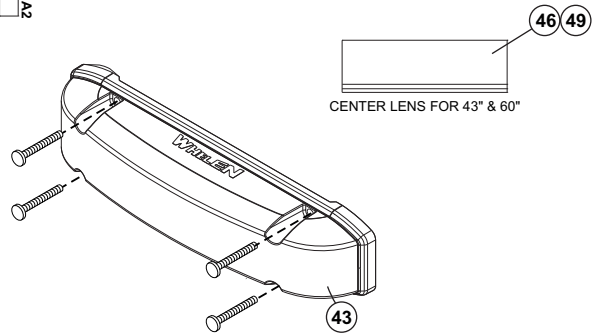
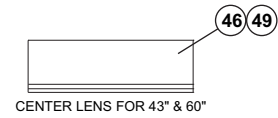


QTY	QTY	QTY	QTY	ITEM	PART NUMBER	DESCRIPTION
		*			01-0684668-	Freedom™ WeCan® R/R/B/B 50"
		*			01-0684668-	Freedom™ WeCan® R/R/B/B 55"
	*				01-0684668-	Freedom™ WeCan® R/R/B/B 60"
*					01-0684668-	Freedom™ WeCan® R/R/B/B 44"
1	-	-	-	1	11-363390-000	BASE EXTRUSION (40.375")
-	-	-	1	2	11-363141-000	BASE EXTRUSION (45.75")
-	-	1	-	3	11-363142-000	BASE EXTRUSION (51.125")
-	1	-	-	4	11-363143-000	BASE EXTRUSION (56.50")
1	1	1	1	5	10-0523067-02	LABEL, MODEL & SERIAL NO.
2	2	2	2	6	22-0542701-00	MTG. STUD
4	4	4	4	7	22-0416982-00	PROTECTIVE COVER
2	2	2	2	8	13-130111-072	NUT, 1/4-20 ELASTIC STOP (316 SS)
2	2	2	2	9	21-242401-000	BUSHING, 1-5/8"
1	1	1	1	10	21-11245004-1	GROMMET, 1.562"
1	1	1	1	11	14-104216-160	#10-24 x 1 PPHMS
1	1	1	1	12	13-104111-063	NUT, #10-24 WHIZ
1	1	1	1	13	26-0115037-08	CABLE CLAMP, 1/2"
1	1	1	1	14	46-0743196-17	CABLE, 2/C 10GA (17')
A/R	A/R	A/R	A/R	15	46-0743442-02	HARNASS, TA, FREEDOM WC
1	1	1	1	17	46-0743442-02	CABLE, 2/C 20GA 17'
1	1	1	1	18	01-0264939-00	ASSEMBLY, POWER/COMM. "WC"
1	1	1	1	19	46-0985997-00	HARNASS, INTERNAL FREEDOM "WC"
-	-	-	-	20	01-026B805110	CORNER REFLECTOR LED AMBER
2	2	2	2	21	01-026B805220	CORNER REFLECTOR LED BLUE
-	-	-	-	22	01-026B805330	CORNER REFLECTOR LED WHITE
-	-	-	-	23	01-026B805440	CORNER REFLECTOR LED GREEN
2	2	2	2	24	01-026B805550	CORNER REFLECTOR LED RED
12	18	18	14	25	07-263103-000	MOUNTING BRACKET
10	16	12	12	26	09-1363158-00	FILLER PANEL, "400" SERIES
1	1	1	1	27	10-0322935-00	LABEL, "FRONT"
A/R	A/R	A/R	A/R	28	01-026C368-30	SINGLE LR11 ALLEY FREEDOM
2	2	2	2	29	21-7263998-00	VENT, 3/4"
2	-	-	-	30	68-1983816-30	LENS, 5.00" CLEAR
4	4	-	4	31	68-1983817-30	LENS, 6.562" CLEAR
-	-	4	-	32	68-1984104-30	LENS, 9.25" CLEAR
-	-	4	-	33	07-242815-000	BRACKET, SPACER
2	2	2	2	34	38-0283381-00	GASKET, ENDCAP
2	2	2	2	35	68-1183369-30	ENDCAP, CLEAR
8	8	8	8	36	14-104286-16JB	#10-24 x 1-1/4" TX. PHD. SCREW W/SHOULDER
8	8	6	6	37	02-0341448-30	LENS DIVIDER ASSY. (CLEAR)
-	4	4	4	38	68-1984105-30	LENS, 15.75" CLEAR
4	2	-	-	39	68-1183491C02	LENS, 10.375" CLEAR
A/R	A/R	A/R	A/R	40	01-0286361211	LINEAR LED 400 AMBER GEN III AMP
A/R	A/R	A/R	A/R	41	01-0286361222	LINEAR LED 400 BLUE GEN III AMP
A/R	A/R	A/R	A/R	42	01-0286361233	LINEAR LED 400 WHITE GEN III AMP
A/R	A/R	A/R	A/R	43	01-0286361244	LINEAR LED 400 GREEN GEN III AMP
A/R	A/R	A/R	A/R	44	01-0286361255	LINEAR LED 400 RED GEN III AMP
A/R	A/R	A/R	A/R	45	46-0743196-25	CABLE, 2/C 10GA (25')
A/R	A/R	A/R	A/R	46	46-0743442-03	CABLE, 2/C 20GA 25'

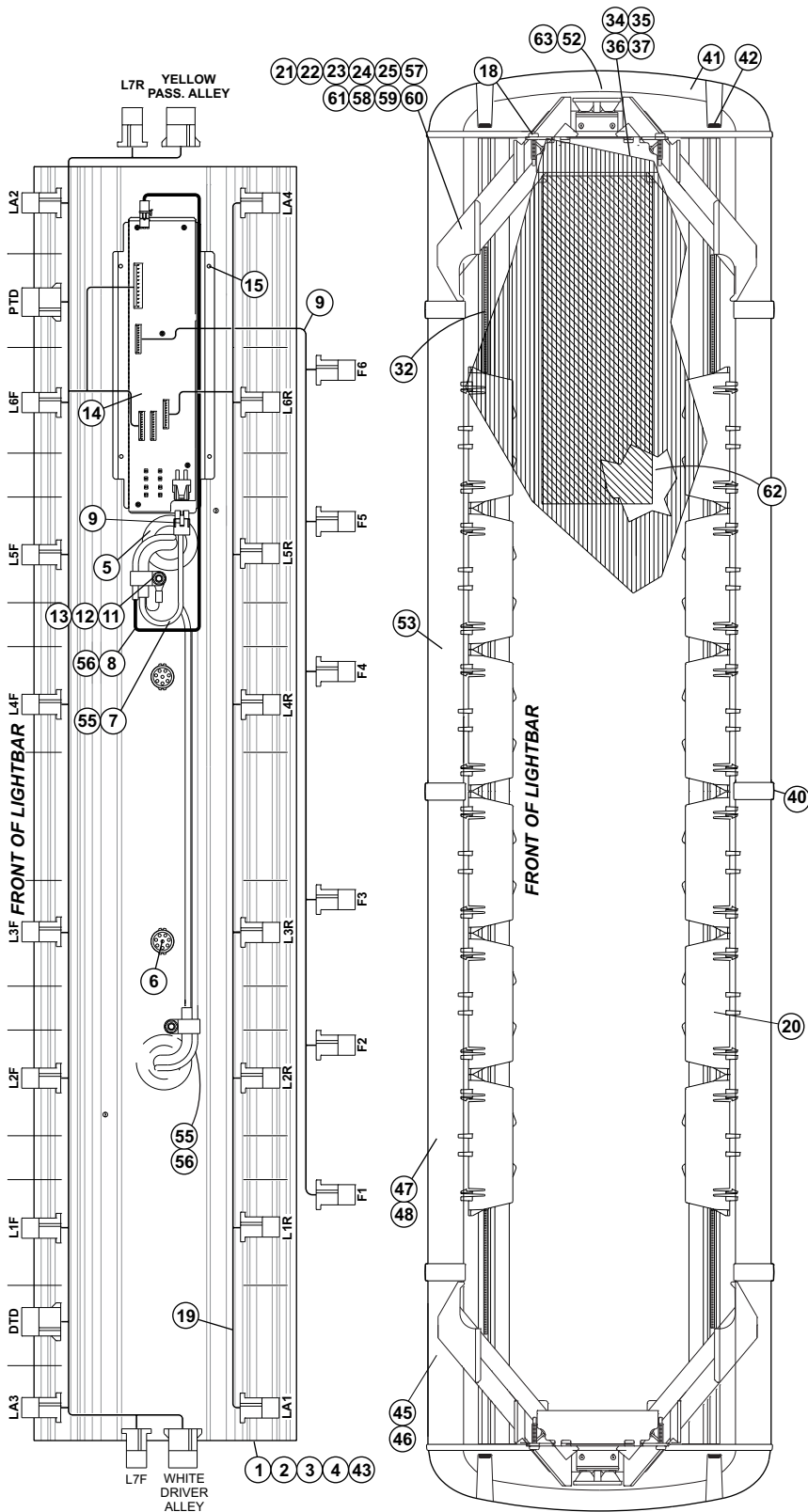




QTY.	QTY.	QTY.	QTY.	ITEM	PART NUMBER	DESCRIPTION
		*			01-0684682-	LIBERTY™ 43" WECAN™Series
		*			01-0684682-	LIBERTY™ 48" WECAN™Series
*					01-0684682-	LIBERTY™ 54" WECAN™Series
*					01-0684682-	LIBERTY™ 60" WECAN™Series
-	-	-	1	1	11-363312-038	BASE, EXTRUDED (38.61")
-	-	-	1	2	11-363312-044	BASE, EXTRUDED (44.00")
-	1	-	-	3	11-363312-049	BASE, EXTRUDED (49.39")
1	-	-	-	4	11-363312-054	BASE, EXTRUDED (54.78")
1	1	1	1	5	21-11245004-1	GROMMET, 1.562
2	2	2	2	6	21-7263998-00	PLUG, VENT (3/4")
1	1	1	1	7	46-0743196-17	CABLE, 2/C 10GA (17')
1	1	1	1	8	46-0743442-02	CABLE, 2/C 20GA (17')
A/R	A/R	A/R	A/R	9	46-0784851-00	HARNESS, TA LIBERTY WC
1	1	1	1	11	14-0023347-00	SCREW, 10-24 x 1.25" TX PHD
1	1	1	1	12	13-104111-063	#10-24 WIZ NUT
1	1	1	1	13	26-0115037-08	CABLE CLAMP 1/2"
1	1	1	1	14	01-0264940-00	POWER/COMM "WC"
2	2	2	2	15	14-062216-080	SCREW,#6-32 x 1/2" PPHMS SS
6	6	6	6	18	14-104216-06J	#10-24 x 3/8 PPH SCREW
1	1	1	1	19	46-0985994-00	HARNESS, LIBERTY "WC" LTBAR
16	12	12	10	20	11-483564-000	HOUSING, LIGHTHEAD (SNAP IN)
A/R	A/R	A/R	A/R	21	01-026B625210	CORNER 12 LED AMB LIBERTY
A/R	A/R	A/R	A/R	22	01-026B625220	CORNER 12 LED BLU LIBERTY
A/R	A/R	A/R	A/R	23	01-026B625230	CORNER 12 LED WHT LIBERTY
A/R	A/R	A/R	A/R	24	01-026B625250	CORNER 12 LED RED LIBERTY
A/R	A/R	A/R	A/R	25	01-026B625910	CORNER 9 LED AMB LIBERTY
A/R	A/R	A/R	A/R	26	01-026B625920	CORNER 9 LED BLU LIBERTY
A/R	A/R	A/R	A/R	27	01-026B625930	CORNER 9 LED WHT LIBERTY
A/R	A/R	A/R	A/R	28	01-026B625950	CORNER 9 LED RED LIBERTY
16	12	12	10	29	09-1363542-00	PANEL, FILLER (500 SERIES)
A/R	A/R	A/R	A/R	30	01-026B827610	SUB ASSY, 500 LED, AMB, 2 POS AMP
A/R	A/R	A/R	A/R	31	01-026A068220	SUB ASSY, 500 CREE LED, BLU, W/2POS AMP
A/R	A/R	A/R	A/R	32	01-026B827630	SUB ASSY, 500 LED, WHT, 2 POS AMP
A/R	A/R	A/R	A/R	33	01-026B827650	SUB ASSY, 500 LED, RED, 2 POS AMP
-	4	-	-	34	07-243170-000	SPACER, CORNER
-	-	-	1	36	11-26B607-038	EXTRUSION, TOP 38.61"
-	-	1	-	37	11-26B607-044	EXTRUSION, TOP 44.00"
-	1	-	-	38	11-26B607-049	EXTRUSION, TOP 49.39"
1	-	-	-	39	11-26B607-054	EXTRUSION, TOP 54.78"
8	6	6	8	42	02-0342791-30	ASSY, LENS DIVIDER (CLEAR)
2	2	2	2	43	02-036E683-30	LENS, OVERMOLD ENDCAP CLEAR
8	8	8	8	44	14-104286-16J	#10-24 x 1-1/4" TX. PHD W/SHLDR
1	1	1	1	45	10-0522960-00	LABEL, MODEL & SERIAL NO.
-	-	-	2	46	68-1983818-30	LENS, 5.062" LG (CLEAR)
4	-	4	4	47	68-1983819-30	LENS, 5.687" LG (CLEAR)
-	4	-	-	48	68-1963333C08	LENS, 8.375" LG (CLEAR)
2	-	-	4	49	68-1963333C03	LENS, 10.500" LG (CLEAR)
4	4	4	-	50	68-1983567-30	LENS, 15.800" LG (CLEAR)
4	4	4	4	57	20-0042765-00	SPACER, CORNER RETENTION
1	1	1	1	58	10-0322935-00	LABEL, "FRONT" LIGHTBAR ASSY
A/R	A/R	A/R	A/R	60	46-0743196-25	CABLE, 2/C 10GA (25')
A/R	A/R	A/R	A/R	61	46-0743442-03	CABLE, 2/C 20GA (25')
2	2	2	2	62	02-036B855-00	SUB ASSY, END SUPPORT BRKT
A/R	A/R	A/R	A/R	63	02-036B855-30	SUB ASSY, LR11 ALLEY WHITE
1	1	1	1	64	38-0142783-00	INSULATOR, FOAM PAD







QTY.	QTY.	QTY.	QTY.	ITEM	PART NUMBER	DESCRIPTION
		*			01-0684682-	LIBERTY 43" / EX CRNR / WECAN™
		*			01-0684682-	LIBERTY 48" / EX CRNR / WECAN™
	*				01-0684682-	LIBERTY 54" / EX CRNR / WECAN™
	*				01-0684682-	LIBERTY 60" / EX CRNR / WECAN™
-	-	-	1	1	11-363312-038	BASE, EXTRUDED (38.61")
-	-	1	-	2	11-363312-044	BASE, EXTRUDED (44.00")
-	1	-	-	3	11-363312-049	BASE, EXTRUDED (49.39")
1	-	-	-	4	11-363312-054	BASE, EXTRUDED (54.78")
1	1	1	1	5	21-11245004-1	GROMMET, 1.562
2	2	2	2	6	21-7263998-00	PLUG, VENT (3/4")
1	1	1	1	7	46-0743196-17	CABLE, 2/C 10GA (17)
1	1	1	1	8	46-0743442-02	CABLE, 2/C 20GA (17)
A/R	A/R	A/R	A/R	9	46-0784851-00	HARNNESS, TA LIBERTY WC
1	1	1	1	11	14-0023347-00	SCREW, 10-24 x 1.25" TX PHD
1	1	1	1	12	13-104111-063	#10-24 W/IZ NUT
1	1	1	1	13	26-0115037-08	CABLE CLAMP 1/2"
1	1	1	1	14	01-0264940-00	POWER/COMM "WC"
2	2	2	2	15	14-062216-080	#6-32 x 1/2" PPHMS SS
6	6	6	6	18	14-104216-06	#10-24 x 3/8 PPH SCREW
1	1	1	1	19	46-0985994-00	HARNNESS, LIBERTY "WC"
16	12	12	10	20	11-483564-000	HSNG, LIGHTHEAD (SNAP IN)
A/R	A/R	A/R	A/R	21	01-026B693210	EXT. CORNER 12 LED AMB
A/R	A/R	A/R	A/R	22	01-026B693220	EXT. CORNER 12 LED BLU
A/R	A/R	A/R	A/R	23	01-026B693230	EXT. CORNER 12 LED WHT
A/R	A/R	A/R	A/R	24	01-026B693250	EXT. CORNER 12 LED RED
A/R	A/R	A/R	A/R	25	01-026B693240	EXT. CORNER 12 LED GRN
16	12	12	10	26	09-1363542-00	PANEL, FILLER (500 SERIES)
A/R	A/R	A/R	A/R	27	01-026B827610	SUB ASY, 500 LED, AMB, 2 POS AMP
A/R	A/R	A/R	A/R	28	01-026A068220	SUB ASY, 500 CREE LED, BLU, 2POS AMP
A/R	A/R	A/R	A/R	29	01-026B827630	SUB ASY, 500 LED, WHT, 2 POS AMP
A/R	A/R	A/R	A/R	30	01-026B827650	SUB ASY, 500 LED, RED, 2 POS AMP
A/R	A/R	A/R	A/R	31	01-026B827640	SUB ASY, 500 LED, GRN, 2 POS AMP
-	4	-	-	32	07-243170-000	SPACER, CORNER
-	-	-	1	34	11-26B607-038	EXTRUSION, TOP 38.61"
-	-	1	-	35	11-26B607-044	EXTRUSION, TOP 44.00"
-	1	-	-	36	11-26B607-049	EXTRUSION, TOP 49.39"
1	-	-	-	37	11-26B607-054	EXTRUSION, TOP 54.78"
8	6	6	8	40	02-0342791-30	LENS DIVIDER (CLR)
2	2	2	2	41	02-036E683-30	OVERMOLD ENDCAP CLR
8	8	8	8	42	14-104286-16J	#10-24 x 1-1/4" TX. PHD W/SHLDR
1	1	1	1	43	10-0522960-00	LABEL, MODEL & SERIAL NO.
-	-	-	2	44	68-1983818-30	LENS, 5.062" LG (CLEAR)
4	-	4	4	45	68-1983819-30	LENS, 5.687" LG (CLEAR)
-	4	-	-	47	68-1963333C08	LENS, 8.375" LG (CLEAR)
2	-	-	4	46	68-1963333C03	LENS, 10.500" LG (CLEAR)
4	4	4	-	48	68-1983567-30	LENS, 15.800" LG (CLEAR)
A/R	A/R	A/R	A/R	52	01-026B855-30	ADJ. LR-11 ALLEY LIGHT
1	1	1	1	53	10-0322935-00	LABEL, "FRONT" LT. BAR
A/R	A/R	A/R	A/R	55	46-0743196-25	CABLE, 2/C 10GA (25)
A/R	A/R	A/R	A/R	56	46-0743442-03	CABLE, 2/C 20GA (25)
A/R	A/R	A/R	A/R	57	01-026B693810	EXT. CORNER 18 LED AMB
A/R	A/R	A/R	A/R	58	01-026B693820	EXT. CORNER 18 LED BLU
A/R	A/R	A/R	A/R	59	01-026B693830	EXT. CORNER 18 LED WHT
A/R	A/R	A/R	A/R	60	01-026B693840	EXT. CORNER 18 LED GRN
A/R	A/R	A/R	A/R	61	01-026B693850	EXT. CORNER 18 LED RED
1	1	1	1	62	38-0142783-00	INSULATOR, FOAM PAD
2	2	2	2	63	02-036B855-00	SUB ASY, END SUP. BRCKT

