

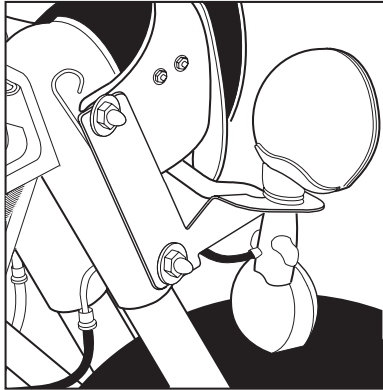
# WHELEN<sup>®</sup>

ENGINEERING COMPANY INC.

51 Winthrop Road,  
Chester, Connecticut 06412-0684  
Phone: (860) 526-9504  
Fax: (860) 526-4078

## Installation Guide: PAR-36 LED Harley-Davidson<sup>®</sup> Replacement Fog Lights

Internet: [www.whelen.com](http://www.whelen.com)  
Sales e-mail: [autosale@whelen.com](mailto:autosale@whelen.com)  
Canadian Sales e-mail: [autocan@whelen.com](mailto:autocan@whelen.com)  
Customer Service e-mail: [custserv@whelen.com](mailto:custserv@whelen.com)



The PAR-36 LED lighthouse replaces the existing fog lights in your Harley-Davidson<sup>®</sup>.

This lighthouse uses your existing fog light wires for easier installation.

### Installation:

1. First remove the set screw located on the bottom of the trim ring that holds the fog light in. Carefully lift the fog light out of the motorcycle as you disconnect the wires.
2. Remove the inner retaining ring located behind the lighthouse and discard or save it. This retaining ring will not be used in this installation.
3. Attach the foam gasket to the LED lighthouse as shown, leaving a gap on the bottom for drainage.
4. Connect the wires of new lighthouse to the existing motorcycle wires. **RED** = +12 Volts **BLACK** = Ground
5. Insert the lighthouse into the mounting hole of the fog light and secure it by re-installing the trim ring.
6. Test the lighthoods operation and installation is complete.

**IMPORTANT!** Before returning this vehicle to active service, visually confirm the proper operation of this product, as well as all vehicle components/equipment.

### IMPORTANT WARNING!

**CAUTION! DO NOT LOOK DIRECTLY AT THESE LEDS WHILE THEY ARE ON. MOMENTARY BLINDNESS AND/OR EYE DAMAGE COULD RESULT!**

©2006 Whelen Engineering Company Inc.  
Form No.14088 (121906)

For warranty information regarding this product, visit [www.whelen.com/warranty](http://www.whelen.com/warranty)

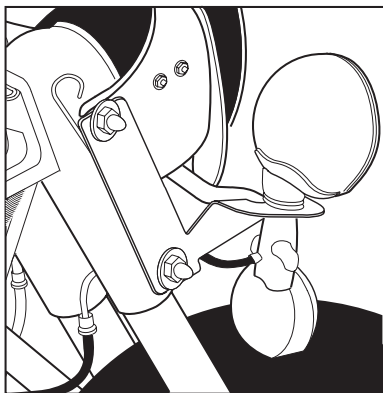
# WHELEN<sup>®</sup>

ENGINEERING COMPANY INC.

51 Winthrop Road,  
Chester, Connecticut 06412-0684  
Phone: (860) 526-9504  
Fax: (860) 526-4078

## Installation Guide: PAR-36 LED Harley-Davidson<sup>®</sup> Replacement Fog Lights

Internet: [www.whelen.com](http://www.whelen.com)  
Sales e-mail: [autosale@whelen.com](mailto:autosale@whelen.com)  
Canadian Sales e-mail: [autocan@whelen.com](mailto:autocan@whelen.com)  
Customer Service e-mail: [custserv@whelen.com](mailto:custserv@whelen.com)



The PAR-36 LED lighthouse replaces the existing fog lights in your Harley-Davidson<sup>®</sup>.

This lighthouse uses your existing fog light wires for easier installation.

### Installation:

1. First remove the set screw located on the bottom of the trim ring that holds the fog light in. Carefully lift the fog light out of the motorcycle as you disconnect the wires.
2. Remove the inner retaining ring located behind the lighthouse and discard or save it. This retaining ring will not be used in this installation.
3. Attach the foam gasket to the LED lighthouse as shown, leaving a gap on the bottom for drainage.
4. Connect the wires of new lighthouse to the existing motorcycle wires. **RED** = +12 Volts **BLACK** = Ground
5. Insert the lighthouse into the mounting hole of the fog light and secure it by re-installing the trim ring.
6. Test the lighthoods operation and installation is complete.

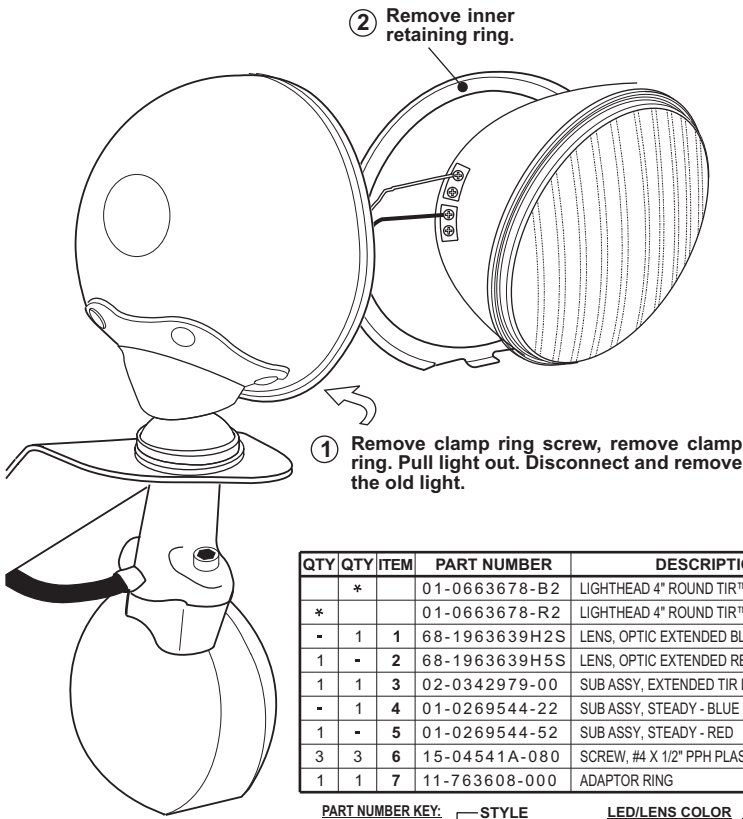
**IMPORTANT!** Before returning this vehicle to active service, visually confirm the proper operation of this product, as well as all vehicle components/equipment.

### IMPORTANT WARNING!

**CAUTION! DO NOT LOOK DIRECTLY AT THESE LEDS WHILE THEY ARE ON. MOMENTARY BLINDNESS AND/OR EYE DAMAGE COULD RESULT!**

©2006 Whelen Engineering Company Inc.  
Form No.14088 (121906)

For warranty information regarding this product, visit [www.whelen.com/warranty](http://www.whelen.com/warranty)

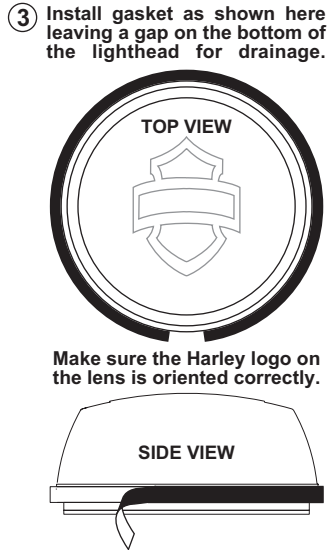


- ② Remove inner retaining ring.
- ① Remove clamp ring screw, remove clamp ring. Pull light out. Disconnect and remove the old light.

QTY	QTY	ITEM	PART NUMBER	DESCRIPTION
	*		01-0663678-B2	LIGHTHEAD 4" ROUND TIR™ - BLUE
*			01-0663678-R2	LIGHTHEAD 4" ROUND TIR™ - RED
-	1	1	68-1963639H2S	LENS, OPTIC EXTENDED BLUE w/SEAL
1	-	2	68-1963639H5S	LENS, OPTIC EXTENDED RED w/SEAL
1	1	3	02-0342979-00	SUB ASSY, EXTENDED TIR LENS
-	1	4	01-0269544-22	SUB ASSY, STEADY - BLUE
1	-	5	01-0269544-52	SUB ASSY, STEADY - RED
3	3	6	15-04541A-080	SCREW, #4 X 1/2" PPH PLASTILOK, BLACK
1	1	7	11-763608-000	ADAPTOR RING

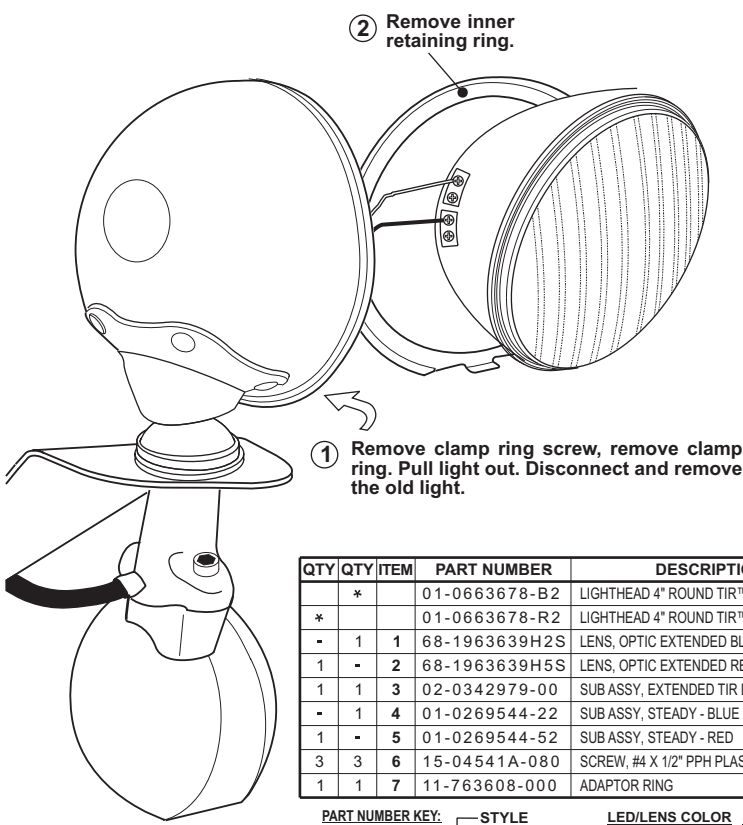
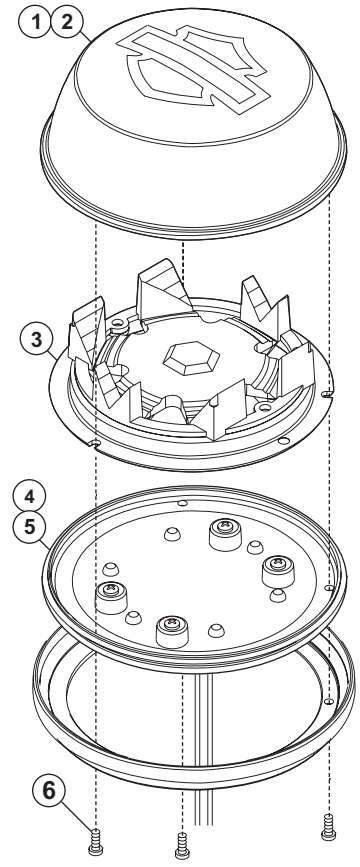
PART NUMBER KEY: 01-0663678 -  $\left\{ \begin{array}{l} \text{STYLE} \\ \text{LED/LENS} \\ \text{COLOR} \end{array} \right.$  LED/LENS COLOR

LED/LENS COLOR STYLE  
 B = BLUE/BLUE 2 = STEADY  
 R = RED/RED



- ③ Install gasket as shown here leaving a gap on the bottom of the lighthouse for drainage.
- TOP VIEW
- SIDE VIEW
- Make sure the Harley logo on the lens is oriented correctly.

- ④ The Par 36 will wire the same as the existing Harley lighthouse. RED = +12 Volts BLACK = Ground



- ② Remove inner retaining ring.
- ① Remove clamp ring screw, remove clamp ring. Pull light out. Disconnect and remove the old light.

QTY	QTY	ITEM	PART NUMBER	DESCRIPTION
	*		01-0663678-B2	LIGHTHEAD 4" ROUND TIR™ - BLUE
*			01-0663678-R2	LIGHTHEAD 4" ROUND TIR™ - RED
-	1	1	68-1963639H2S	LENS, OPTIC EXTENDED BLUE w/SEAL
1	-	2	68-1963639H5S	LENS, OPTIC EXTENDED RED w/SEAL
1	1	3	02-0342979-00	SUB ASSY, EXTENDED TIR LENS
-	1	4	01-0269544-22	SUB ASSY, STEADY - BLUE
1	-	5	01-0269544-52	SUB ASSY, STEADY - RED
3	3	6	15-04541A-080	SCREW, #4 X 1/2" PPH PLASTILOK, BLACK
1	1	7	11-763608-000	ADAPTOR RING

PART NUMBER KEY: 01-0663678 -  $\left\{ \begin{array}{l} \text{STYLE} \\ \text{LED/LENS} \\ \text{COLOR} \end{array} \right.$  LED/LENS COLOR

LED/LENS COLOR STYLE  
 B = BLUE/BLUE 2 = STEADY  
 R = RED/RED



- ③ Install gasket as shown here leaving a gap on the bottom of the lighthouse for drainage.
- TOP VIEW
- SIDE VIEW
- Make sure the Harley logo on the lens is oriented correctly.

- ④ The Par 36 will wire the same as the existing Harley lighthouse. RED = +12 Volts BLACK = Ground

