

WHELEN[®]

ENGINEERING COMPANY INC.

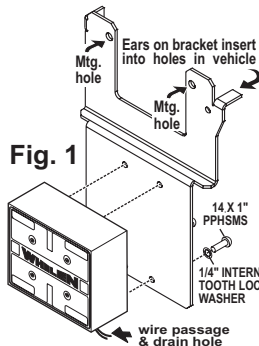
51 Winthrop Road,
Chester, Connecticut 06412-0684
Phone: (860) 526-9504
Fax: (860) 526-4078

Internet: www.whelen.com
Sales e-mail: autosale@whelen.com
Canadian Sales e-mail: autocan@whelen.com
Customer Service e-mail: custserv@whelen.com

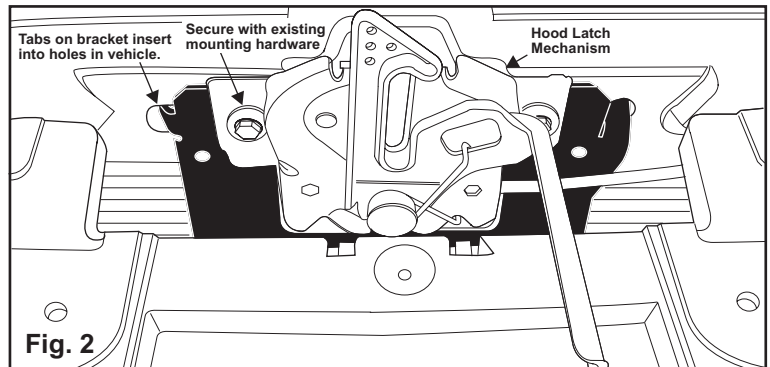
Installation Guide: SA314 Siren Speaker Bracket 2007 Ford Expedition

Installation:

1. Secure the siren speaker to the mounting bracket (Fig. 1).



2. Under the hood of the vehicle, remove the 2 bolts holding the hood latch on. The hood latch shim will not be needed in this installation. Move the hood latch away from the vehicle enough to slide the bracket and speaker behind the latch and into its mounting position. There are 2 ears protruding from the mounting bracket to "hang" the bracket while securing it to the vehicle. They will also add more stability to the bracket (Fig. 2).



3. Remount the hood latch over the siren bracket using its original mounting hardware. Use the marks made by the bolts to be sure you remount the latch in its exact original position.
4. Extend the WHITE (positive) and BLACK (negative) speaker wires to your siren amplifier and connect as shown in the amplifiers instructions. Test siren to confirm proper operation before.

©2007 Whelen Engineering Company Inc.
Form No.14093A (050808)

For warranty information regarding this product, visit www.whelen.com/warranty

WHELEN[®]

ENGINEERING COMPANY INC.

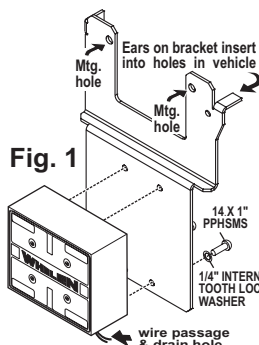
51 Winthrop Road,
Chester, Connecticut 06412-0684
Phone: (860) 526-9504
Fax: (860) 526-4078

Internet: www.whelen.com
Sales e-mail: autosale@whelen.com
Canadian Sales e-mail: autocan@whelen.com
Customer Service e-mail: custserv@whelen.com

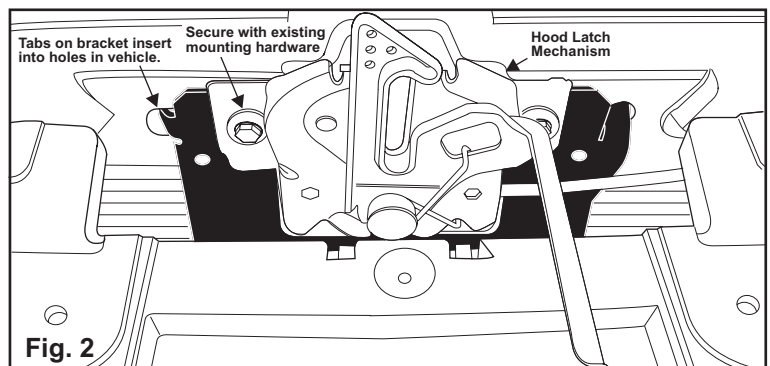
Installation Guide: SA314 Siren Speaker Bracket 2007 Ford Expedition

Installation:

1. Secure the siren speaker to the mounting bracket (Fig. 1).



2. Under the hood of the vehicle, remove the 2 bolts holding the hood latch on. The hood latch shim will not be needed in this installation. Move the hood latch away from the vehicle enough to slide the bracket and speaker behind the latch and into its mounting position. There are 2 ears protruding from the mounting bracket to "hang" the bracket while securing it to the vehicle. They will also add more stability to the bracket (Fig. 2).



3. Remount the hood latch over the siren bracket using its original mounting hardware. Use the marks made by the bolts to be sure you remount the latch in its exact original position.

4. Extend the WHITE (positive) and BLACK (negative) speaker wires to your siren amplifier and connect as shown in the amplifiers instructions. Test siren to confirm proper operation before.

©2007 Whelen Engineering Company Inc.
Form No.14093A (050808)

For warranty information regarding this product, visit www.whelen.com/warranty

IMPORTANT! It is the responsibility of the installation technician to make sure that the installation and operation of this product will not interfere with or compromise the operation or efficiency of any vehicle equipment! Before returning the vehicle to active service, visually confirm the proper operation of this product, as well as all vehicle components and equipment.

DANGER! Sirens produces extremely loud emergency warning tones! Exposure to these tones without proper and adequate hearing protection, could cause ear damage and/or hearing loss! The Occupational Safety & Health Administration (www.osha.gov) provides information necessary to determine safe exposure times in Occupational Noise Exposure Section 1910.95. Until you have determined the safe exposure times for your specific application, operators and anyone else in the immediate vicinity should be required to wear an approved hearing protection device. **FAILURE TO FOLLOW THIS RECOMMENDATION COULD CAUSE HEARING LOSS!**

ACTIVATION OF THIS SIREN MAY DAMAGE UNPROTECTED EARS!	
 Wear Protection!	! CAUTION
	Loud siren noise can cause hearing damage and/or loss. Refer to OSHA Section 1910.95 prior to putting ANY siren into service!

IMPORTANT! It is the responsibility of the installation technician to make sure that the installation and operation of this product will not interfere with or compromise the operation or efficiency of any vehicle equipment! Before returning the vehicle to active service, visually confirm the proper operation of this product, as well as all vehicle components and equipment.

DANGER! Sirens produces extremely loud emergency warning tones! Exposure to these tones without proper and adequate hearing protection, could cause ear damage and/or hearing loss! The Occupational Safety & Health Administration (www.osha.gov) provides information necessary to determine safe exposure times in Occupational Noise Exposure Section 1910.95. Until you have determined the safe exposure times for your specific application, operators and anyone else in the immediate vicinity should be required to wear an approved hearing protection device. **FAILURE TO FOLLOW THIS RECOMMENDATION COULD CAUSE HEARING LOSS!**

ACTIVATION OF THIS SIREN MAY DAMAGE UNPROTECTED EARS!	
 Wear Protection!	! CAUTION
	Loud siren noise can cause hearing damage and/or loss. Refer to OSHA Section 1910.95 prior to putting ANY siren into service!