

WHELEN[®]

ENGINEERING COMPANY INC.

51 Winthrop Road
 Chester, Connecticut 06412-0684
 Phone: (860) 526-9504
 Fax: (860) 526-2009
 Internet: www.whelen.com
 Sales/Service e-mail: aviation@whelen.com

Installation Guide: 71105()-series Models 7110501, 02, 03, 04, 05, 06, 11, 12 P/N: 01-0771105-01, -02, -03, -04, -05, -06, -11, -12 LED Forward Position Light Assembly



TSO-C30c
 TYPES I & II
 APPROVED



The conditions and tests required for TSO approval of this article are minimum performance standards. It is the responsibility of those installing this article either on or within a specific type or class of aircraft to determine that the aircraft installation conditions are within the TSO standards. TSO articles must have separate approval for installation in aircraft. The article may be installed only if performed under 14 CFR part 43 or the applicable airworthiness requirements.

OPERATING INSTRUCTIONS:

Operational Voltage:14/28 VDC (nominal)

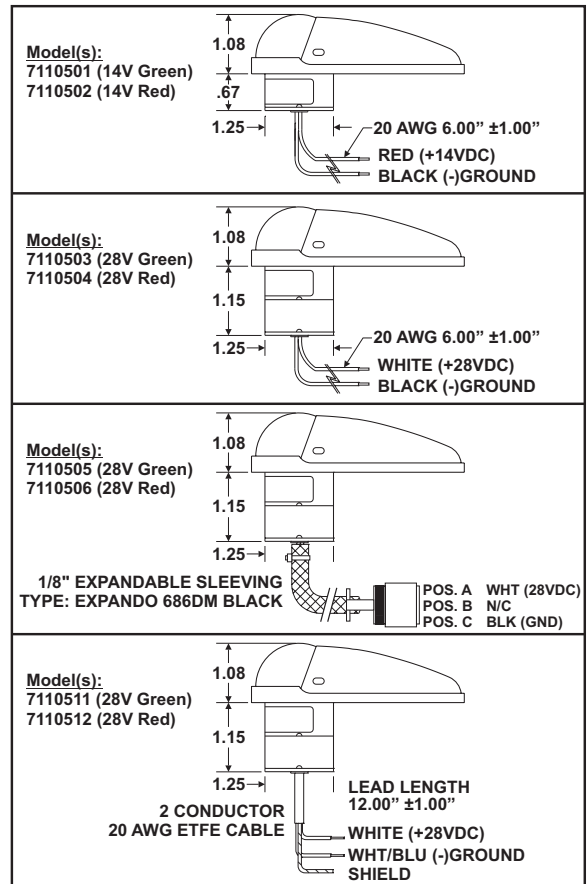
Input Current:0.25 Amps

EQUIPMENT LIMITATIONS: An approved forward position lighting system consists of two lights, one located on each wingtip.

CONTINUED AIRWORTHINESS: The 71105 series LED wingtip position light assembly is designed with 3 LED's. If any one LED fails, the unit must be repaired or replaced. Inspect the lens. Replace if there is excessive scratching, discoloration or cracking.

INSTALLATION PROCEDURES: The following information is to assist in the installation of a Whelen LED Forward Position Light System.

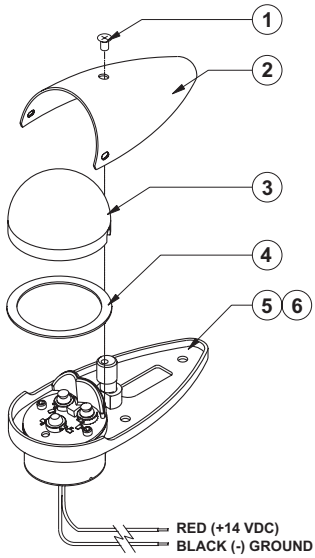
1. Choose the appropriate 71105() series replacement light assembly.
2. The installation procedure described in the following text will be confined to a single light installation, but is identical for multiple light installations.
3. Remove the old light, locate and save the existing +VDC lead and (-) ground lead. Clean and prep ends as required.
4. Make sure the existing system is equipped with an appropriate sized breaker. Connect the existing +14/28 VDC lead to the POSITIVE wire on the input cable assembly (supplied with the light assembly). Connect the existing ground lead to the GROUND wire on the input cable assembly or use the supplied connector as shown in the illustrations. Both leads must be connected by an approved FAA connection. Insure that the wire leads clear of any obstructions and ty-wrap as required.
5. Remove the shroud from the light assembly.
6. Position the base of the new light assembly onto the mounting surface. Insert three (3) #6-32 pan head screws into the mounting hole and tighten firmly.



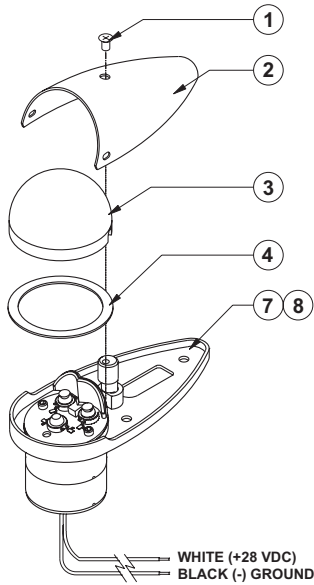
7. Reinstall the lens so that the two notches are positioned under the shroud, with each notch equidistant to the centerline.
8. Check all avionics systems for interference from the installation.
9. A flight check should be performed by a properly certified pilot.
10. Update aircraft records, complete Form 337 and obtain FAA field approval for installation.

Aviation

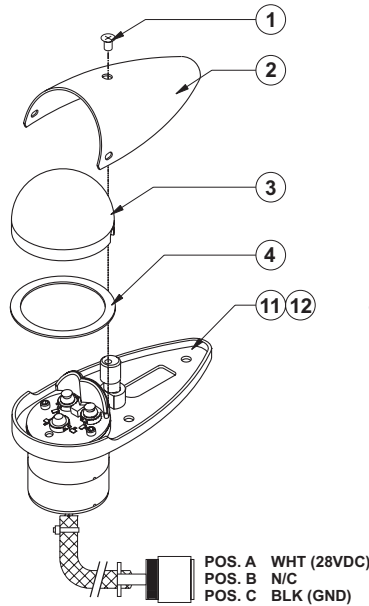
**Models:
7110501, 7110502**



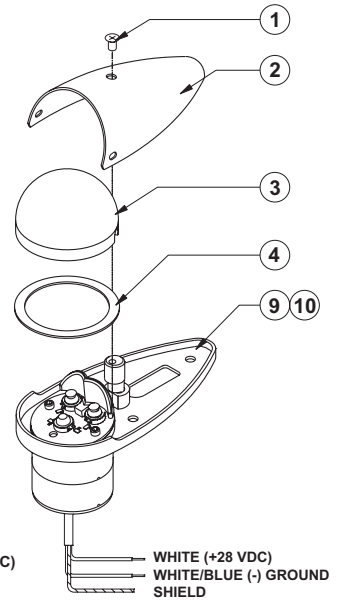
**Models:
7110503, 7110504**



**Models:
7110505, 7110506**



**Models:
7110511, 7110512**



QTY	QTY	QTY	QTY	QTY	QTY	QTY	QTY	QTY	ITEM	PART NUMBER	DESCRIPTION
								*		01-0771105-01	7110501 LED FORWARD POS. LIGHT - 14V (GRN)
								*		01-0771105-02	7110502 LED FORWARD POS. LIGHT - 14V (RED)
					*					01-0771105-03	7101503 LED FORWARD POS. LIGHT - 28V (GRN)
				*						01-0771105-04	7101504 LED FORWARD POS. LIGHT - 28V (RED)
			*							01-0771105-11	7101511 LED FORWARD POS. LIGHT - 28V (GRN) w/SHIELD CABLE
		*								01-0771105-12	7101512 LED FORWARD POS. LIGHT - 28V (RED) w/SHIELD CABLE
	*									01-0771105-05	7101505 LED FORWARD POS. LIGHT - 28V (GRN) w/CONNECTOR
*										01-0771105-06	7101506 LED FORWARD POS. LIGHT - 28V (RED) w/CONNECTOR
1	1	1	1	1	1	1	1	1	1	14-0050508-27	SCREW, 6-32 x 5/16 (PFHMS / CSNK MS51959-27)
1	1	1	1	1	1	1	1	1	2	19-150002-010	RETAINER, FORWARD POSITION LENS CLEAR IRIDITE
1	1	1	1	1	1	1	1	1	3	68-3950902A30	LENS, CLEAR FORWARD POSITION LIGHT HARDCOAT
1	1	1	1	1	1	1	1	1	4	38-0230021-00	GASKET, W-1283/W-1285/A650
-	-	-	-	-	-	-	-	1	5	01-0771134-01	ASSY, POS. LIGHT 14V (GREEN) 71105-SERIES
-	-	-	-	-	-	-	1	-	6	01-0771134-02	ASSY, POS. LIGHT 14V (RED) 71105-SERIES
-	-	-	-	-	1	-	-	-	7	01-0771134-03	ASSY, POS. LIGHT 28V (GREEN) 71105-SERIES
-	-	-	-	1	-	-	-	-	8	01-0771134-04	ASSY, POS. LIGHT 28V (RED) 71105-SERIES
-	-	-	1	-	-	-	-	-	9	01-0771134-11	ASSY, POS. LIGHT 28V (GREEN) 71105-SERIES w/SHIELD CABLE
-	-	1	-	-	-	-	-	-	10	01-0771134-12	ASSY, POS. LIGHT 28V (RED) 71105-SERIES w/SHIELD CABLE
-	1	-	-	-	-	-	-	-	11	01-0771104-05	ASSY, POS. LIGHT 28V (GREEN) 71105-SERIES w/CONNECTOR
1	-	-	-	-	-	-	-	-	12	01-0771104-06	ASSY, POS. LIGHT 28V (RED) 71105-SERIES w/CONNECTOR

Mounting Dimensions

