

WHELEN[®]

ENGINEERING COMPANY INC.

51 Winthrop Road
Chester, Connecticut 06412-0684
Phone: (860) 526-9504
Fax: (860) 526-4078
Internet: www.whelen.com
Sales e-mail: autosale@whelen.com
Canadian Sales e-mail: autocan@whelen.com
Customer Service e-mail: custserv@whelen.com

Installation Guide:
Traffic Advisor™ Arrow
Models RF6016L5, RF6016L6,
RF6016L7, RF6016L8

Safety First

This document provides all the necessary information to allow your Whelen product to be properly and safely installed. Before beginning the installation and/or operation of your new product, the installation technician and operator must read this manual completely. Important information is contained herein that could prevent serious injury or damage.

- **Proper installation of this product requires the installer to have a good understanding of automotive electronics, systems and procedures.**
- **If mounting this product requires drilling holes, the installer MUST be sure that no vehicle components or other vital parts could be damaged by the drilling process. Check both sides of the mounting surface before drilling begins. Also de-burr any holes and remove any metal shards or remnants. Install grommets into all wire passage holes.**
- **If this manual states that this product may be mounted with suction cups, magnets, tape or Velcro®, clean the mounting surface with a 50/50 mix of isopropyl alcohol and water and dry thoroughly.**
- **Do not install this product or route any wires in the deployment area of your air bag. Equipment mounted or located in the air bag deployment area will damage or reduce the effectiveness of the air bag, or become a projectile that could cause serious personal injury or death. Refer to your vehicle owner's manual for the air bag deployment area. The User/Installer assumes full responsibility to determine proper mounting location, based on providing ultimate safety to all passengers inside the vehicle.**
- **For this product to operate at optimum efficiency, a good electrical connection to chassis ground must be made. The recommended procedure requires the product ground wire to be connected directly to the NEGATIVE (-) battery post.**
- **If this product uses a remote device to activate or control this product, make sure that this control is located in an area that allows both the vehicle and the control to be operated safely in any driving condition.**
- **Do not attempt to activate or control this device in a hazardous driving situation.**
- **This product contains either strobe light(s), halogen light(s), high-intensity LEDs or a combination of these lights. Do not stare directly into these lights. Momentary blindness and/or eye damage could result.**
- **Use only soap and water to clean the outer lens. Use of other chemicals could result in premature lens cracking (crazing) and discoloration. Lens in this condition have significantly reduced effectiveness and should be replaced immediately. Inspect and operate this product regularly to confirm its proper operation and mounting condition. Do not use a pressure washer to clean this product.**
- **It is recommended that these instructions be stored in a safe place and referred to when performing maintenance and/or reinstallation of this product.**
- **FAILURE TO FOLLOW THESE SAFETY PRECAUTIONS AND INSTRUCTIONS COULD RESULT IN DAMAGE TO THE PRODUCT OR VEHICLE AND/OR SERIOUS INJURY TO YOU AND YOUR PASSENGERS!**

For warranty information regarding this product, visit www.whelen.com/warranty

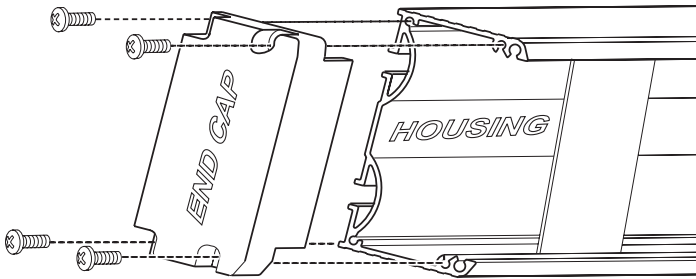
Installation:

This lightbar mounts to the vehicle using ten, 2" step bolts. Four of the bolts are already installed in the center section. You must install the other 6 bolts into the arrow sections.

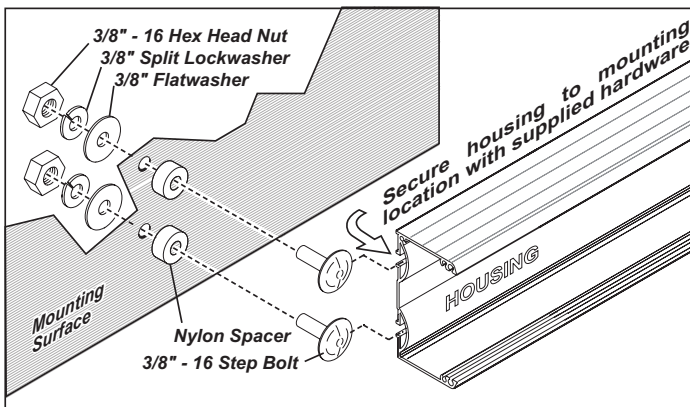
Caution: Permanent mounting of this product will require drilling. It is absolutely necessary to make sure that no other vehicle components could be damaged by this process. Check both sides of the mounting surface before starting. If damage is likely, select a different mounting location.

IMPORTANT: It is the responsibility of the installation technician to make sure that the installation and operation of this product will not interfere with or compromise the operation or efficiency of any vehicle equipment!

1. Remove the end caps from the arrow ends and insert the mounting bolts into the tracks in the back of the lightbar. Be careful of the wires attached to the inside of the end caps. Pull the end caps off just enough to slide the bolts into the track. After inserting the bolts into the tracks replace the end caps.



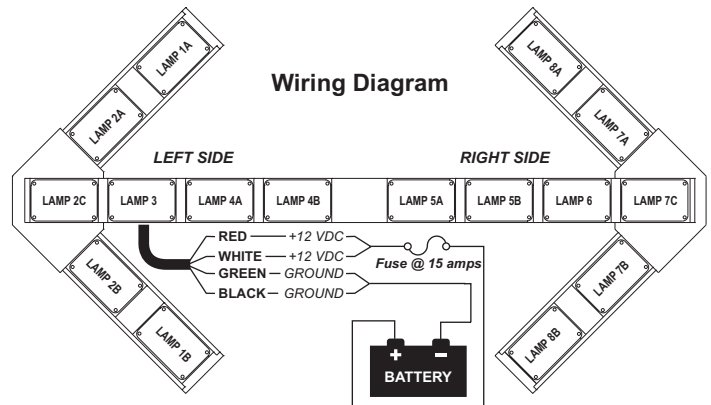
2. Position all step bolts in their final mounting position on the TA and hand tighten the nuts onto the bolts to hold them in place.
3. Place the Traffic Advisor™ in its final mounting position on the mounting surface (Be sure the arrow is level) and mark the bolt locations off onto the mounting surface.
4. Remove the Traffic Advisor from the mounting surface and drill the mounting holes using a drill sized for the 3/8" step bolts.
5. Install the mounting hardware onto the step bolts in the order shown and mount the Traffic Advisor to the vehicle.



IMPORTANT: When you are routing wires, the existing factory wire harness should be followed whenever possible. The existing harness has been positioned so no wires will be damaged by vehicle operation. The factory harness may include a service loop that will keep the wires from being damaged or broken by the movement of the dump body.

Wiring:

WARNING! All customer supplied wires that connect to the positive terminal of the battery must be sized to supply at least 125% of the maximum operating current and **FUSED** at the battery to carry that load. **DO NOT USE CIRCUIT BREAKERS WITH THIS PRODUCT!**



Wire Connections:

1. Splice the RED and WHITE wires together and extend a single, appropriately sized RED wire to the battery. Install a 15 amp fuse block (customer supplied) to the end of this wire (remove the fuse before connecting any wires to the battery). Connect the RED wire to the POSITIVE (+) battery terminal.
2. Splice the BLACK and GREEN wires together and extend a single, appropriately sized BLACK wire to the battery. Connect this wire to the battery ground. If your vehicle has a cable extending from the negative terminal of the battery to the chassis, it is best to attach the black wire at the chassis connection.

Operation:

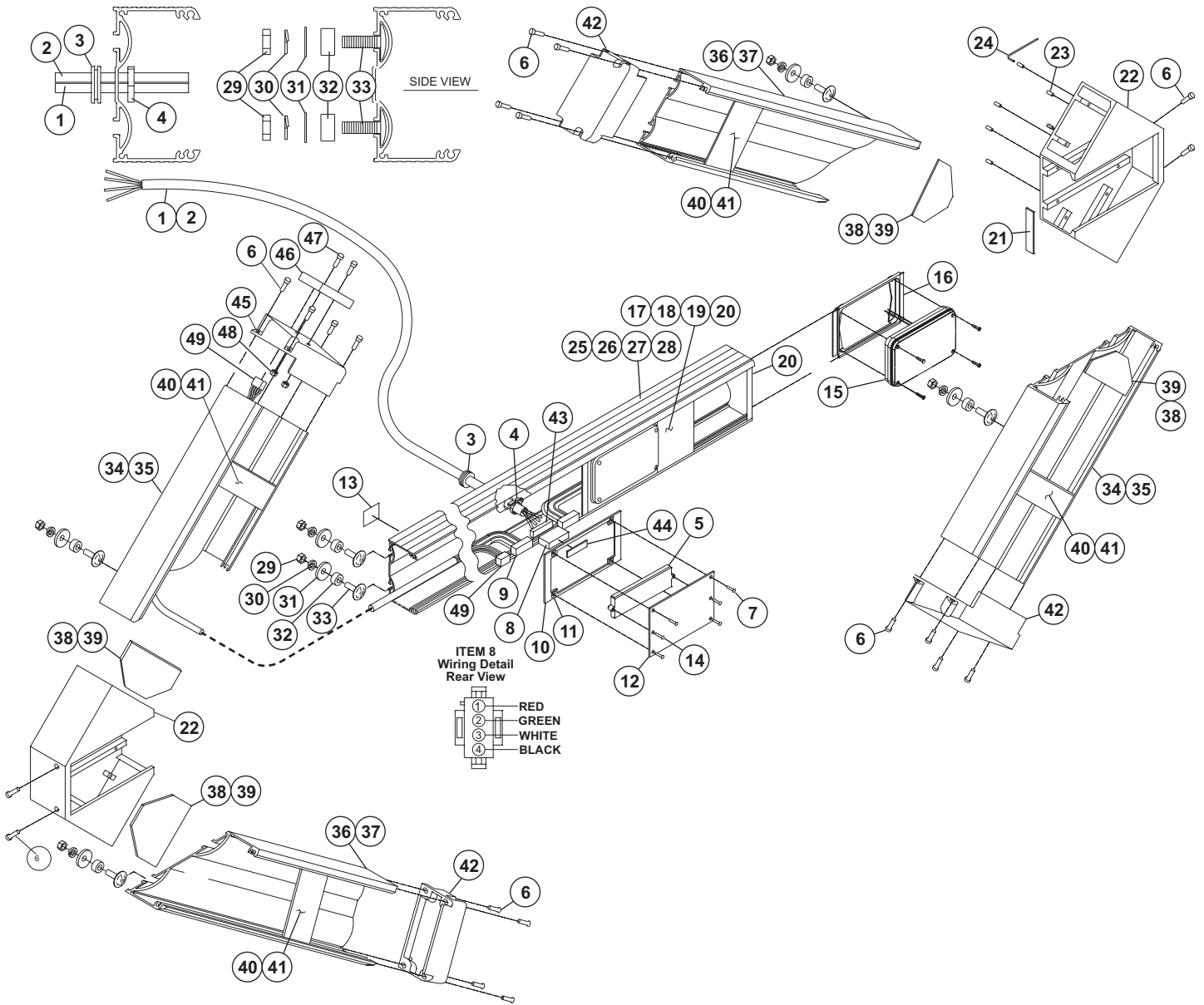
The operation of this TA is controlled by the Whelen wireless Traffic Advisor controller. Refer to the instructions that come with the controller for operation.

WARNING: The installation of this light array is not complete until the upper and lower wings on both ends of the array are secured to the vehicle using the supplied step bolts. Failure to properly secure the light array can cause damage to array and vehicle.

IMPORTANT! Before returning the vehicle to active service, visually confirm the proper operation of this product, as well as all vehicle components/equipment.

IMPORTANT WARNING!

CAUTION! DO NOT LOOK DIRECTLY AT THESE LEDS WHILE THEY ARE ON. MOMENTARY BLINDNESS AND/OR EYE DAMAGE COULD RESULT!



QTY	QTY	QTY	QTY	ITEM	PART NUMBER	DESCRIPTION
			*		01-0684615000	DOT RF 600 LED ARROW 5"
		*			01-0684615100	DOT RF 600 LED ARROW 6"
		*			01-0684615200	DOT RF 600 LED ARROW 7"
	*				01-0684615300	DOT RF 600 LED ARROW 8"
1	1	1	1	1	46-0743333-30	POWER CABLE LED ARROW 30"
A/R	A/R	A/R	A/R	2	46-0743333-60	POWER CABLE LED ARROW 60"
1	1	1	1	3	21-11233202-0	GROMMET 1"
1	1	1	1	4	26-0121053-04	CLAMP / 9/16"
1	1	1	1	5	01-0264784-01	ASSY / DOT ARROW DRIVER
20	20	20	20	6	14-104286-16JA	SCREW / #10-24 X 1.25 TX PHD
4	4	4	4	7	15-06121B-082	SCREW / 6 X 1/2 PPHSMS BLK ZINC OXIDE
1	1	1	1	8	39-0917517-04	HOUSING / PLUG / 1 X 4 POS UMNL
2	2	2	2	9	46-0784617-00	HARNES INTL 600 SERIES LED ARROW
1	1	1	1	10	07-743319-023	PLATE / MOUNTING RF/4 WIRE CTRL
4	4	4	4	11	13-062C40-16J	SCREW GROMMET / #6 #8 FASTEX
1	1	1	1	12	11-243235-007	COVER / RF CTRL BLK 600 SERIES TA
1	1	1	1	13	10-0543391-___	PART/SERIAL LABEL / 600 SERIES TA
2	2	2	2	14	15-085416-100	SCREW / 8 X 5/8 PPH PLASTH-LOC SS
16	16	16	16	15	02-0383719TA1	ASSY / 600 LED / AMBER / TA MODULE
16	16	16	16	16	11-484237-000	FACE PLATE MOUNTING TA MODEL 600
-	-	6	-	17	09-1341765-25	FILLER PANEL / 1.625" LONG
-	6	-	-	18	09-1341765-26	FILLER PANEL / 3.555" LONG
6	-	-	-	19	09-1341765-27	FILLER PANEL / 5.295" LONG
2	2	2	2	20	09-1341765-00	FILLER PANEL / .5" LONG
2	2	2	2	21	38-0125020-00	SPACER / with PSA ONE SIDE
2	2	2	2	22	11-381841-002	CASTING / BASE / PAINTED BLACK
20	20	20	20	23	14-130526-080	SHSS, 1/4-20 X 1/2" LG. CUP POINT
1	1	1	1	24	66T0516435102	1/8" ALLEN WRENCH / L SHAPED
-	-	-	1	25	11-362697-013	EXTRUDED HOUSING / 64.250" BLACK
-	-	1	-	26	11-362697-005	EXTRUDED HOUSING / 70.875" BLACK
-	1	-	-	27	11-362697-006	EXTRUDED HOUSING / 82.875" BLACK
1	-	-	-	28	11-362697-007	EXTRUDED HOUSING / 93.875" BLACK
10	10	10	10	29	13-156120-090	3/8-16 HEX NUT
10	10	10	10	30	16-1532220-10	3/8 LOCK WASHER
10	10	10	10	31	16-1503220-60	3/8 FLAT WASHER
10	10	10	10	32	20-1232249604	NYLON SPACER
10	10	10	10	33	14-156040-32E	3/8-16 X 2" STEP BOLT
-	-	2	2	34	11-461616-004	HOUSING / UPPER LFT / LOWER RT / 22.25"
2	2	-	-	35	11-461616-006	HOUSING / UPPER LFT / LOWER RT / 32"
-	-	2	2	36	11-461616-005	HOUSING / UPPER RT / LOWER LFT / 22.25"
2	2	-	-	37	11-461616-007	HOUSING / UPPER RT / LOWER LFT / 32"
-	-	4	4	38	09-1341627-00	FILLER PANEL / 3.00" SHORT ARROW
4	4	-	-	39	09-1341627-01	FILLER PANEL / 9.25" LONG ARROW
-	-	4	4	40	09-1341584-00	FILLER PANEL / 2.35" SHORT ARROW
4	4	-	-	41	09-1341584-06	FILLER PANEL / 6.50" LONG ARROW
3	3	3	3	42	11-241637-007	ENDCAP / MODIFIED/BLACK B-LINK TA
1	1	1	1	43	39-1V17269-01	SEAL / WIRE 4 POS UNIVERSAL MATE-N-LOK
1	1	1	1	44	39-1V17269-00	SEAL / INTERFACE 4 POS UNIV. MATE-N-LOK
1	1	1	1	45	11-243411-007	ENDCAP / MODIFIED RF T/A ARROW
1	1	1	1	46	01-0264881-00	F/A RF T-A RECIEVER DOT ARROW
2	2	2	2	47	14-062216-160	SCREW / 6-32 X 1" PPHMS SS
2	2	2	2	48	13-062120-052	NUT / 6-32 X 5/16" ELASTIC STOP SS
1	1	1	1	49	46-0743412-01	CABLE INTER CTRL RF DOT ARROW with Conn