

WHELEN[®]

ENGINEERING COMPANY INC.

Route 145, Winthrop Road,
Chester, Connecticut 06412
Phone: (860) 526-9504
Fax: (860) 526-2009
Internet: www.whelen.com
Sales/Service e-mail: aviation@whelen.com

Installation Guide:
Ground Crew Call Horn
P/N 01-0771163-00



INSTALLATION PROCEDURES: The following information is to assist in the installation of a Whelen Ground Crew Call Horn.

1. Using approved connectors, wire the unit as shown (Fig.1). Tighten the hardware until a maximum torque value of 6 in./lbs. is achieved.
2. Install the unit using the mounting diagram shown (Fig.2). Insure that the wire leads are clear of any obstructions and ty-wrap as required.
3. Check all avionics systems for interference from the installation.
4. A flight check should be performed by a properly certified pilot.
5. Update aircraft records, complete Form 337 and obtain FAA field approval for installation, if necessary.

Fig.1

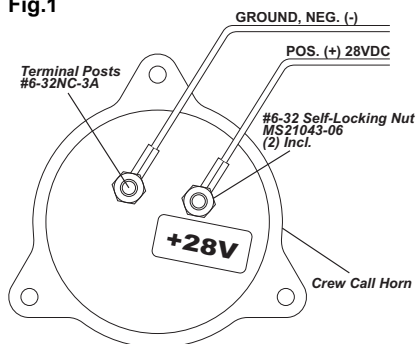
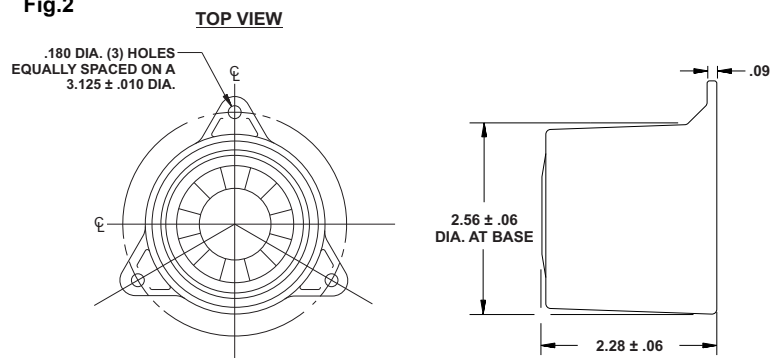


Fig.2



GENERAL NOTES

- VOLTAGE - 28V NOM. (18VDC MIN TO 32VDC MAX.)
- CURRENT @ 28V - 55ma TYP. / 600ma MAX
- SOUND INTENSITY - The signal provides a sound intensity of 105dB (+13dB - 3dB) as indicated on a standard meter at a distance of 3 feet when operated at 28VDC under conditions encountered in a sound-proof room.
- FREQUENCY - 25-20,000 HZ
- WEIGHT - 0.65 lbs. (MAX)

For warranty information regarding this product, visit www.whelen.com/warranty