

WHELEN[®] ENGINEERING COMPANY INC.

51 Winthrop Road
 Chester, Connecticut 06412-0684
 Phone: (860) 526-9504
 Fax: (860) 526-4078
 Internet: www.whelen.com
 Sales e-mail: autosale@whelen.com
 Canadian Sales e-mail: autocan@whelen.com
 Customer Service e-mail: custserv@whelen.com

Installation Guide:
SA315 Siren Speaker Bracket
2005-07 Ford 500
Kit# SAK22

DANGER! Sirens produces extremely loud emergency warning tones! Exposure to these tones without proper and adequate hearing protection, could cause ear damage and/or hearing loss! The Occupational Safety & Health Administration (www.osha.gov) provides information necessary to determine safe exposure times in Occupational Noise Exposure Section 1910.95. Until you have determined the safe exposure times for your specific application, operators and anyone else in the immediate vicinity should be required to wear an approved hearing protection device. **FAILURE TO FOLLOW THIS RECOMMENDATION COULD CAUSE HEARING LOSS!**

Safety First

This document provides all the necessary information to allow your Whelen product to be properly and safely installed. Before beginning the installation and/or operation of your new product, the installation technician and operator must read this manual completely. Important information is contained herein that could prevent serious injury or damage.

- Proper installation of this product requires the installer to have a good understanding of automotive electronics, systems and procedures.
- If mounting this product requires drilling holes, the installer **MUST** be sure that no vehicle components or other vital parts could be damaged by the drilling process. Check both sides of the mounting surface before drilling begins. Also de-burr any holes and remove any metal shards or remnants. Install grommets into all wire passage holes.
- If this manual states that this product may be mounted with suction cups, magnets, tape or Velcro[®], clean the mounting surface with a 50/50 mix of isopropyl alcohol and water and dry thoroughly.
- Do not install this product or route any wires in the deployment area of your air bag. Equipment mounted or located in the air bag deployment area will damage or reduce the effectiveness of the air bag, or become a projectile that could cause serious personal injury or death. Refer to your vehicle owners manual for the air bag deployment area. The User/Installer assumes full responsibility to determine proper mounting location, based on providing ultimate safety to all passengers inside the vehicle.
- For this product to operate at optimum efficiency, a good electrical connection to chassis ground must be made. The recommended procedure requires the product ground wire to be connected directly to the **NEGATIVE (-)** battery post.
- If this product uses a remote device to activate or control this product, make sure this control is located in an area that allows both the vehicle and the control to be operated safely in any driving condition. **DO NOT ATTEMPT TO ACTIVATE OR CONTROL THIS DEVICE IN A HAZARDOUS DRIVING SITUATION.**
- It is recommended that these instructions be stored in a safe place and referred to when performing maintenance and/or reinstallation of this product.
- **FAILURE TO FOLLOW THESE SAFETY PRECAUTIONS AND INSTRUCTIONS COULD RESULT IN DAMAGE TO THE PRODUCT OR VEHICLE AND/OR SERIOUS INJURY TO YOU AND YOUR PASSENGERS!**

ACTIVATION OF THIS SIREN MAY DAMAGE UNPROTECTED EARS!



CAUTION

Loud siren noise can cause hearing damage and/or loss. Refer to OSHA Section 1910.95 prior to putting ANY siren into service!

19-0220495-00

For warranty information regarding this product, visit www.whelen.com/warranty

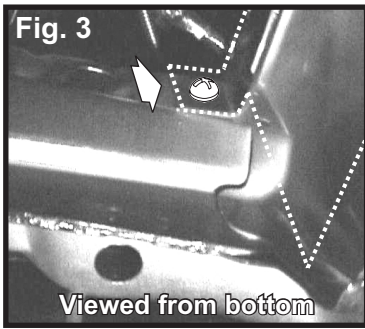


Fig. 2

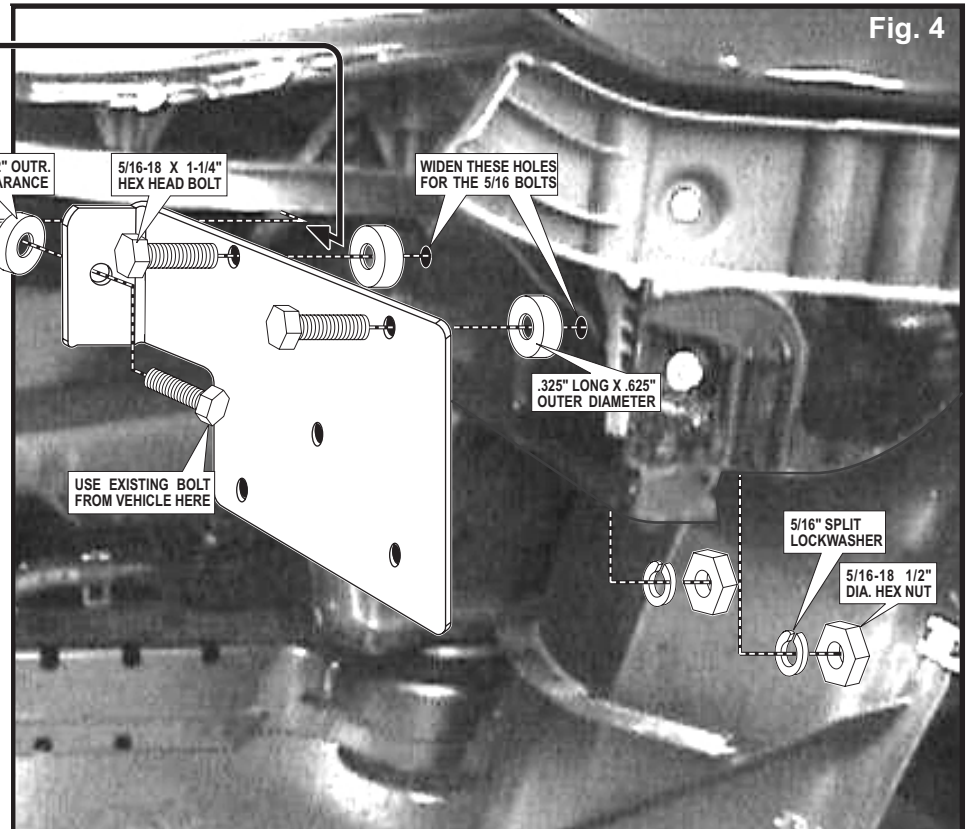
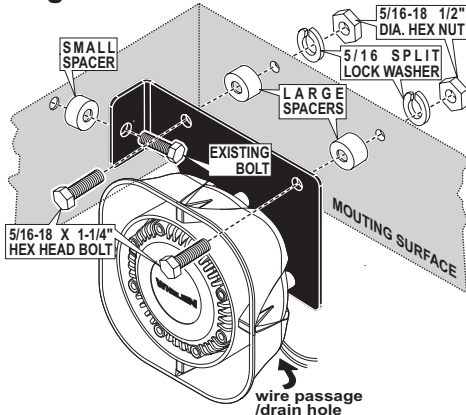


Fig. 4

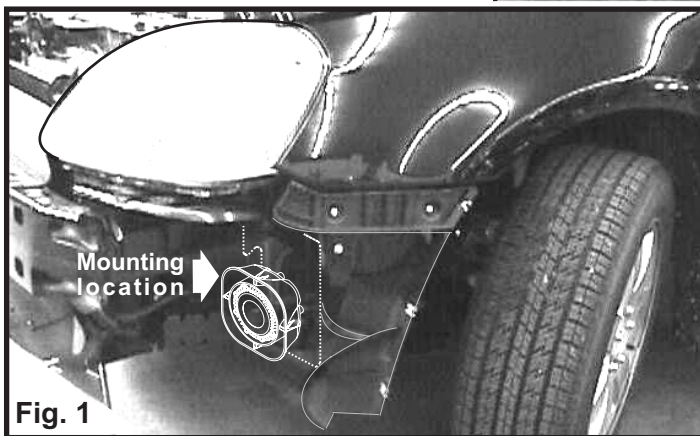
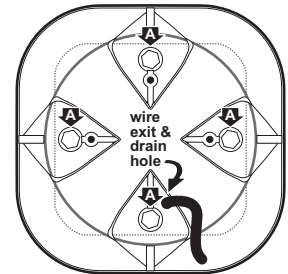
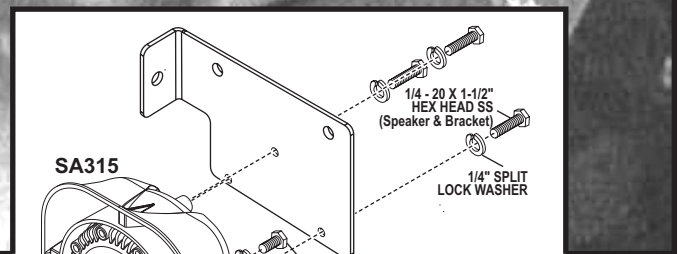


Fig. 1



SA315 / Rear View

The SA315 siren speaker mounting kit comes with 3 long bolts (1/4-20 X 1-1/2" Hex Head SS). The longer bolts are necessary to go through the mounting bracket, through the siren housing and into the siren driver. They will replace 3 of the 4 shorter bolts ("A") that now secure the siren driver to the speaker housing. Your speaker is shipped with 2 or more of the shorter bolts installed. A short bolt must be used in the hole that does not go through the bracket so it will properly secure the driver to the housing. If you need to remove all 4 bolts at once hold the driver securely in place.

Installation:

NOTE: Figure 1 shows the mounting location of the speaker bracket with the front of the vehicle removed for visual reference. You do not need to remove any parts from the vehicle. You will only need to lower the front gravel shield to make this installation.

1. To access the speaker bracket mounting area, remove the clips holding the front bottom gravel shield and lower the front of the shield (refer to the vehicle service manual for the recommended procedure).

NOTE: Do not mount this bracket on the passenger-side of the vehicle.

2. With the gravel shield lowered, locate the mounting area (Fig. 1). The "tab" that protrudes from the side of the bracket will be secured to the vehicle using an existing bolt (Fig. 3). The top of the bracket will mount to two existing holes in a metal support on the vehicle. **IMPORTANT NOTE FOR 2007 MODELS ONLY: On 2007 models these holes must be enlarged to accommodate the 5/16 bolts.** Before installing, position the bracket in its mounting area and locate the three mounting holes you will use.
3. Secure the speaker to the bracket using the supplied hardware.

ACTIVATION OF THIS SIREN MAY DAMAGE UNPROTECTED EARS!	
	CAUTION
Loud siren noise can cause hearing damage and/or loss. Refer to OSHA Section 1910.95 prior to putting ANY siren into service!	

IMPORTANT! For drainage purposes, the speaker must be oriented so that the wire passage/drain hole is in the "6 o'clock" position (closest to the road). Improper mounting will result in premature driver failure and void the product warranty.

4. Remove the existing bolt that will be used to secure the "tab" on the bracket to the vehicle. Secure the upper part of the bracket to the vehicle using the two existing holes with the hardware shown. The backside of the mounting holes can be accessed allowing the nuts to be held in place while installing the bolts and spacers. Tighten the mounting hardware firmly.
5. Secure the side of the siren bracket to the vehicle using the bolt removed in step 4 and the small spacer provided.
6. Extend the WHITE (positive) and BLACK (negative) speaker wires to your siren amplifier and connect as shown in the amplifiers instructions. Test siren to confirm proper operation.

Permanent mounting of this product will require drilling. It is absolutely necessary to make sure that no other vehicle components could be damaged by this process. Check both sides of the mounting surface before starting. If damage is likely, select a different mounting location.

IMPORTANT! Before you return this vehicle to active service, visually confirm the proper operation of this product, and all vehicle components/equipment.