

## WHELEN<sup>®</sup> ENGINEERING COMPANY INC.

51 Winthrop Road  
 Chester, Connecticut 06412-0684  
 Phone: (860) 526-9504  
 Fax: (860) 526-4078  
 Internet: [www.whelen.com](http://www.whelen.com)  
 Sales e-mail: [autosale@whelen.com](mailto:autosale@whelen.com)  
 Canadian Sales e-mail: [autocan@whelen.com](mailto:autocan@whelen.com)  
 Customer Service e-mail: [custserv@whelen.com](mailto:custserv@whelen.com)

**Installation Guide:**  
**SA315 Siren Speaker Bracket**  
**2000-03 Suburban or Tahoe**  
**2002-07 Chevy Avalanche**  
**2004-07 GMC Envoy**

**DANGER!** Sirens produces extremely loud emergency warning tones! Exposure to these tones without proper and adequate hearing protection, could cause ear damage and/or hearing loss! The Occupational Safety & Health Administration ([www.osha.gov](http://www.osha.gov)) provides information necessary to determine safe exposure times in Occupational Noise Exposure Section 1910.95. Until you have determined the safe exposure times for your specific application, operators and anyone else in the immediate vicinity should be required to wear an approved hearing protection device. **FAILURE TO FOLLOW THIS RECOMMENDATION COULD CAUSE HEARING LOSS!**

### Safety First

This document provides all the necessary information to allow your Whelen product to be properly and safely installed. Before beginning the installation and/or operation of your new product, the installation technician and operator must read this manual completely. Important information is contained herein that could prevent serious injury or damage.

- Proper installation of this product requires the installer to have a good understanding of automotive electronics, systems and procedures.
- If mounting this product requires drilling holes, the installer **MUST** be sure that no vehicle components or other vital parts could be damaged by the drilling process. Check both sides of the mounting surface before drilling begins. Also de-burr any holes and remove any metal shards or remnants. Install grommets into all wire passage holes.
- If this manual states that this product may be mounted with suction cups, magnets, tape or Velcro<sup>®</sup>, clean the mounting surface with a 50/50 mix of isopropyl alcohol and water and dry thoroughly.
- Do not install this product or route any wires in the deployment area of your air bag. Equipment mounted or located in the air bag deployment area will damage or reduce the effectiveness of the air bag, or become a projectile that could cause serious personal injury or death. Refer to your vehicle owners manual for the air bag deployment area. The User/Installer assumes full responsibility to determine proper mounting location, based on providing ultimate safety to all passengers inside the vehicle.
- For this product to operate at optimum efficiency, a good electrical connection to chassis ground must be made. The recommended procedure requires the product ground wire to be connected directly to the **NEGATIVE (-)** battery post.
- If this product uses a remote device to activate or control this product, make sure this control is located in an area that allows both the vehicle and the control to be operated safely in any driving condition. **DO NOT ATTEMPT TO ACTIVATE OR CONTROL THIS DEVICE IN A HAZARDOUS DRIVING SITUATION.**
- It is recommended that these instructions be stored in a safe place and referred to when performing maintenance and/or reinstallation of this product.
- **FAILURE TO FOLLOW THESE SAFETY PRECAUTIONS AND INSTRUCTIONS COULD RESULT IN DAMAGE TO THE PRODUCT OR VEHICLE AND/OR SERIOUS INJURY TO YOU AND YOUR PASSENGERS!**

**ACTIVATION OF THIS SIREN MAY DAMAGE UNPROTECTED EARS!**



**Wear Protection!**

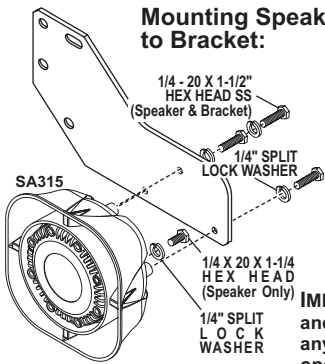
**CAUTION**

Loud siren noise can cause hearing damage and/or loss. Refer to OSHA Section 1910.95 prior to putting ANY siren into service!

19-022049E-00

**For warranty information regarding this product, visit [www.whelen.com/warranty](http://www.whelen.com/warranty)**

### Mounting Speaker to Bracket:



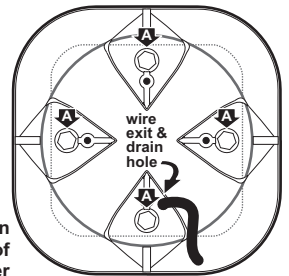
The SA315 comes with 3 long bolts (1/4-20 X 1-1/2" Hex Head SS). The longer bolts are necessary to go through the mounting bracket, the siren housing and into the siren driver. They will replace the shorter bolts ("A") that now secure the siren driver to the speaker housing. Your speaker is shipped with 2 of the shorter bolts installed. A short bolt **must** be used in the hole that does **not** go through the bracket so it will properly secure the driver to the housing. If you need to remove all 4 bolts at once, hold the driver securely in place.

**ACTIVATION OF THIS SIREN MAY DAMAGE UNPROTECTED EARS!**

**CAUTION**  
Loud siren noise can cause hearing damage and/or loss. Refer to OSHA Section 1910.95 prior to putting ANY siren into service!

**Wear Protection!**

**WARNING:** For drainage purposes, the speaker box's wire passage hole (which is also the siren drain hole) must be located in the "6 o'clock" (closer to the road) position for proper mounting. Improper mounting will result in driver failure, but will also void the product warranty.



SA315 / Rear View

**IMPORTANT!** It is the responsibility of the installation technician to make sure that the installation and operation of this product will not interfere with or compromise the operation or efficiency of any vehicle equipment! Before returning the vehicle to active service, visually confirm the proper operation of this product, as well as all vehicle components/equipment.

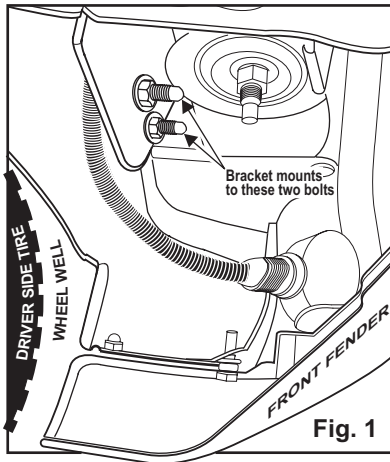


Fig. 1

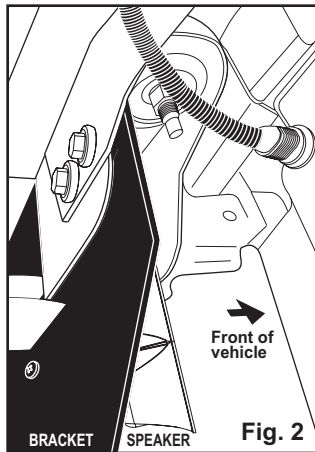
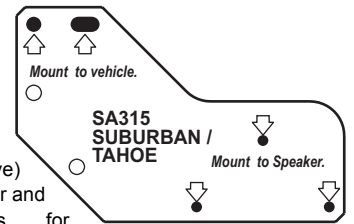


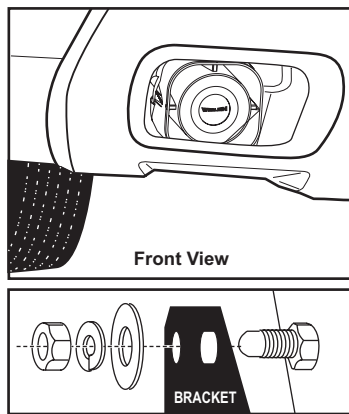
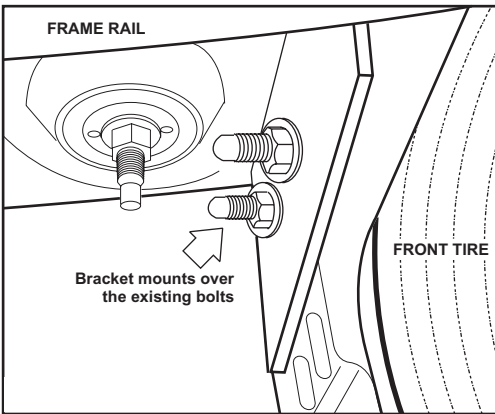
Fig. 2

### Installation: 2000 to 2003 Suburban / Tahoe

1. Secure the siren to the bracket (See above).
2. Find the 2 bolts located near the vehicles tow bar shown in Figure 1. The bracket will share these 2 bolts for mounting.
3. Remove the 2 bolts. The nuts for these bolts are welded onto the frame which will make installation easier.
4. Now slip the bracket in front of the 2 holes and replace the bolts. Be sure to tighten the bolts firmly.
5. Installation is complete and the speaker is ready to connect to power. Extend the WHITE (Positive) and BLACK (Negative) speaker wires to your siren amplifier and follow amplifiers instructions for connection.

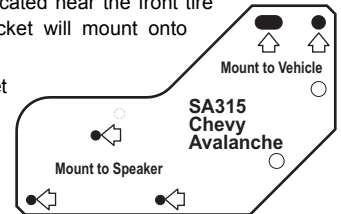


**NOTE:** Mounting the bracket to either side is identical, except the bracket will face the opposite way.



### Installation: 2002 to 2007 Avalanche

1. Secure the siren to the bracket using the supplied mounting hardware. The bracket can mount on either side of the vehicle (See above).
2. Find the two bolts located near the front tire as shown. The bracket will mount onto these bolts.
3. Install the bracket over the bolts, up against the nuts which are welded to the frame.
4. Add supplied nuts and washers. Fasten securely (Fig. 3).
5. Installation is complete. Extend the WHITE (Positive) and BLACK (Negative) speaker wires to your siren amplifier and connect as shown in the amplifiers instructions.



### Installation: 2004 to 2007 GMC Envoy

1. First secure the siren to the bracket using the supplied mounting hardware (Fig. 1). The bracket can mount on either side of the vehicle.
2. Next locate the 2 existing mounting holes shown above with bracket mounted. **To be sure you are using the correct mounting holes, first match the bracket up with the holes.** Secure the siren to the vehicle using the supplied mounting hardware. Be sure to use the correct mounting holes in the bracket, as this bracket fits several vehicles.
3. Installation is complete and the speaker is ready to connect to the siren amplifier. Extend the WHITE (Positive) and BLACK (Negative) speaker wires to your siren amplifier and connect as shown in the amplifiers instructions.

