

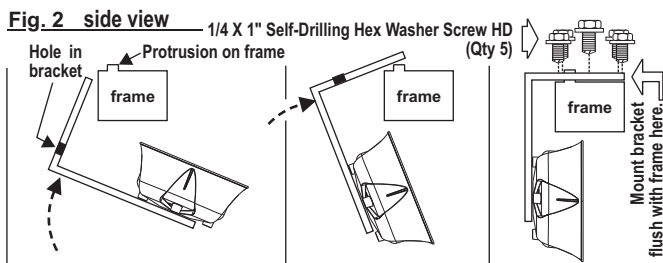
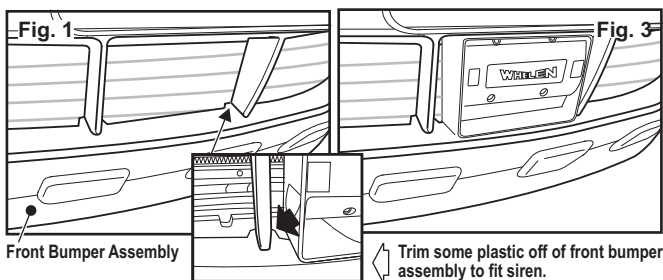
WHELEN[®]

ENGINEERING COMPANY INC.

51 Winthrop Road,
Chester, Connecticut 06412-0684
Phone: (860) 526-9504
Fax: (860) 526-4078

Internet: www.whelen.com
Sales e-mail: autosale@whelen.com
Canadian Sales e-mail: autocan@whelen.com
Customer Service e-mail: custserv@whelen.com

Installation Guide: SA315 Siren Speaker Bracket 2004-2012 Ford Escape



Slip the bracket (with siren attached) onto the frame. The square hole in the top of the bracket will fit over the protrusion in the frame.

©2007 Whelen Engineering Company Inc.
Form No.14124B (011712)

For warranty information regarding this product, visit www.whelen.com/warranty

Installation:

1. Mount speaker to bracket (see next page).
2. Remove the one piece front bumper assembly from the vehicle (Fig. 1). Refer to the vehicle factory manual for the removal procedure.
3. Slip the bracket (with siren) onto the center of the lower frame of the vehicle. There is a square hole in the top of the bracket that fits over a small protrusion on the top of the frame (Fig. 2).
4. Secure the bracket to the frame with the supplied self tapping screws. You will need a drill equipped with a 3/8" socket to drive the screws in. Do not over tighten.
5. Replace the front bumper assembly. You will have to trim some plastic off of the bumper assembly to make the siren fit properly.
6. Extend the WHITE (positive) and BLACK (negative) speaker wires to your siren amplifier and connect as shown in the amplifiers instructions.

ACTIVATION OF THIS SIREN MAY DAMAGE UNPROTECTED EARS!

CAUTION
Loud siren noise can cause hearing damage and/or loss. Refer to OSHA Section 1910.95 prior to putting ANY siren into service!

Wear Protection!

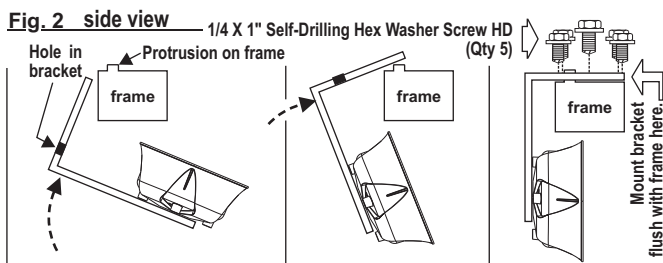
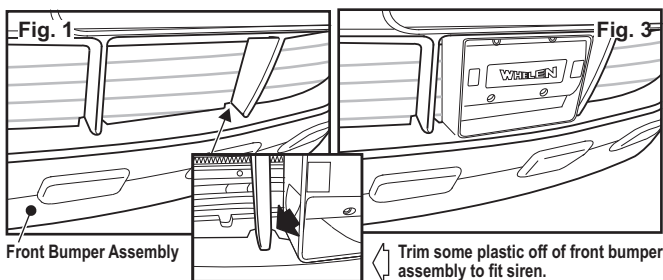
WHELEN[®]

ENGINEERING COMPANY INC.

51 Winthrop Road,
Chester, Connecticut 06412-0684
Phone: (860) 526-9504
Fax: (860) 526-4078

Internet: www.whelen.com
Sales e-mail: autosale@whelen.com
Canadian Sales e-mail: autocan@whelen.com
Customer Service e-mail: custserv@whelen.com

Installation Guide: SA315 Siren Speaker Bracket 2004-2012 Ford Escape



Slip the bracket (with siren attached) onto the frame. The square hole in the top of the bracket will fit over the protrusion in the frame.

©2007 Whelen Engineering Company Inc.
Form No.14124B (011712)

For warranty information regarding this product, visit www.whelen.com/warranty

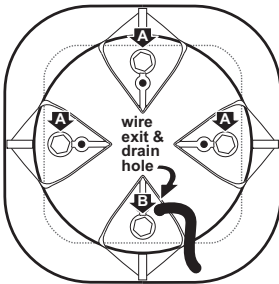
Installation:

1. Mount speaker to bracket (see next page).
2. Remove the one piece front bumper assembly from the vehicle (Fig. 1). Refer to the vehicle factory manual for the removal procedure.
3. Slip the bracket (with siren) onto the center of the lower frame of the vehicle. There is a square hole in the top of the bracket that fits over a small protrusion on the top of the frame (Fig. 2).
4. Secure the bracket to the frame with the supplied self tapping screws. You will need a drill equipped with a 3/8" socket to drive the screws in. Do not over tighten.
5. Replace the front bumper assembly. You will have to trim some plastic off of the bumper assembly to make the siren fit properly.
6. Extend the WHITE (positive) and BLACK (negative) speaker wires to your siren amplifier and connect as shown in the amplifiers instructions.

ACTIVATION OF THIS SIREN MAY DAMAGE UNPROTECTED EARS!

CAUTION
Loud siren noise can cause hearing damage and/or loss. Refer to OSHA Section 1910.95 prior to putting ANY siren into service!

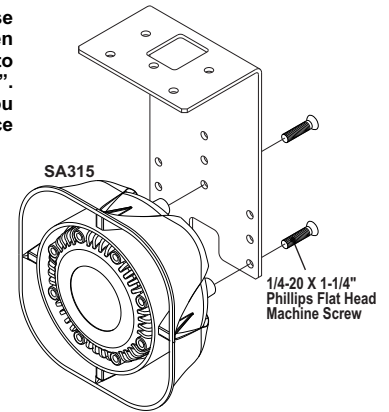
Wear Protection!



SA315 / Rear View

The SA315 siren speaker mounting kit includes three, 1/4-20 X 1 1/4" screws. These screws will replace the 3 screws marked "A". These are used to secure the siren driver to the speaker housing during shipping. One of the 4 screws is not used to secure the siren to the bracket. In the orientation shown, this screw is marked "B". This screw must remain installed to properly secure the driver to the housing. If you need to remove all 4 screws at once, be sure to hold the siren driver securely in place until the screws are reinstalled.

IMPORTANT: For drainage purposes, the speaker must be oriented so that the wire passage hole is in the "6 o'clock" position (closest to the road). This is also the drain hole for the siren. Improper mounting will result in premature driver failure and void the product warranty.



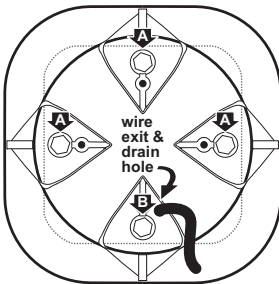
Note: Permanent mounting of this product will require drilling. It is absolutely necessary to make sure that no other vehicle components could be damaged by this process. Check both sides of the mounting surface before starting. If damage is likely, select a different mounting location.

IMPORTANT! It is the responsibility of the installation technician to make sure that the installation and operation of this product will not interfere with or compromise the operation or efficiency of any vehicle equipment!

IMPORTANT! Before returning the vehicle to active service, visually confirm the proper operation of this product, as well as all vehicle components/equipment.

IMPORTANT! It is the responsibility of the installation technician to make sure that the installation and operation of this product will not interfere with or compromise the operation or efficiency of any vehicle equipment! Before returning the vehicle to active service, visually confirm the proper operation of this product, as well as all vehicle components and equipment.

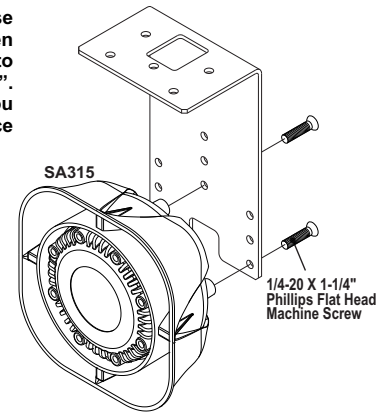
DANGER! Sirens produces extremely loud emergency warning tones! Exposure to these tones without proper and adequate hearing protection, could cause ear damage and/or hearing loss! The Occupational Safety & Health Administration (www.osha.gov) provides information necessary to determine safe exposure times in Occupational Noise Exposure Section 1910.95. Until you have determined the safe exposure times for your specific application, operators and anyone else in the immediate vicinity should be required to wear an approved hearing protection device. **FAILURE TO FOLLOW THIS RECOMMENDATION COULD CAUSE HEARING LOSS!**



SA315 / Rear View

The SA315 siren speaker mounting kit includes three, 1/4-20 X 1 1/4" screws. These screws will replace the 3 screws marked "A". These are used to secure the siren driver to the speaker housing during shipping. One of the 4 screws is not used to secure the siren to the bracket. In the orientation shown, this screw is marked "B". This screw must remain installed to properly secure the driver to the housing. If you need to remove all 4 screws at once, be sure to hold the siren driver securely in place until the screws are reinstalled.

IMPORTANT: For drainage purposes, the speaker must be oriented so that the wire passage hole is in the "6 o'clock" position (closest to the road). This is also the drain hole for the siren. Improper mounting will result in premature driver failure and void the product warranty.



Note: Permanent mounting of this product will require drilling. It is absolutely necessary to make sure that no other vehicle components could be damaged by this process. Check both sides of the mounting surface before starting. If damage is likely, select a different mounting location.

IMPORTANT! It is the responsibility of the installation technician to make sure that the installation and operation of this product will not interfere with or compromise the operation or efficiency of any vehicle equipment!

IMPORTANT! Before returning the vehicle to active service, visually confirm the proper operation of this product, as well as all vehicle components/equipment.

IMPORTANT! It is the responsibility of the installation technician to make sure that the installation and operation of this product will not interfere with or compromise the operation or efficiency of any vehicle equipment! Before returning the vehicle to active service, visually confirm the proper operation of this product, as well as all vehicle components and equipment.

DANGER! Sirens produces extremely loud emergency warning tones! Exposure to these tones without proper and adequate hearing protection, could cause ear damage and/or hearing loss! The Occupational Safety & Health Administration (www.osha.gov) provides information necessary to determine safe exposure times in Occupational Noise Exposure Section 1910.95. Until you have determined the safe exposure times for your specific application, operators and anyone else in the immediate vicinity should be required to wear an approved hearing protection device. **FAILURE TO FOLLOW THIS RECOMMENDATION COULD CAUSE HEARING LOSS!**