

# WHELEN<sup>®</sup>

ENGINEERING COMPANY INC.

51 Winthrop Road  
 Chester, Connecticut 06412-0684  
 Phone: (860) 526-9504  
 Fax: (860) 526-2009  
 Internet: [www.whelen.com](http://www.whelen.com)  
 Sales/Service e-mail: [aviation@whelen.com](mailto:aviation@whelen.com)

## Installation Guide: 90377( )-series Models 9037701 - 9037704 P/N: 01-0790377-01 through -04 LED Position Light Assembly



TSO-C30c TYPES I, II, III  
 APPROVED

The conditions and tests required for TSO approval of this article are minimum performance standards. It is the responsibility of those installing this article either on or within a specific type or class of aircraft to determine that the aircraft installation conditions are within the TSO standards. TSO articles must have separate approval for installation in aircraft. The article may be installed only if performed under 14 CFR part 43 or the applicable airworthiness requirements.

### POSITION LIGHT:

**Operational Voltage:** . . . . . 14/28 VDC (nominal)  
**Input Current:** . . . . . 0.5 / 0.25 Amps

**EQUIPMENT LIMITATIONS:** An approved position lighting system consists of two lights, one located on each wingtip. The baseplate must be mounted parallel to the vertical and horizontal centerlines of the aircraft to project the patterns properly.

Certain types of installations may require additional testing.

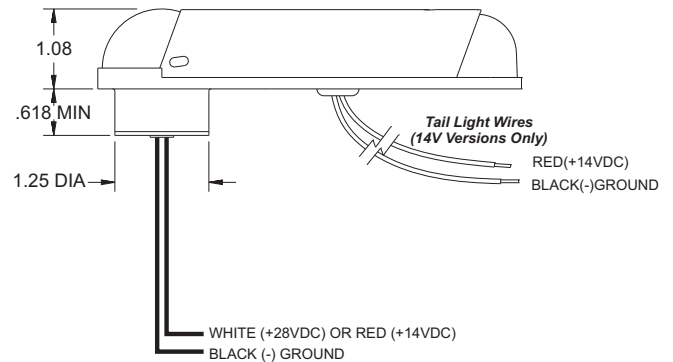
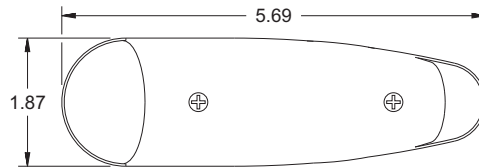
**CONTINUED AIRWORTHINESS:** The forward position light is designed with 3 green or 4 red LEDs. The tail position light is designed with 2 white LEDs. If any one LED fails, the unit must be repaired or replaced.

**NOTE:** To reduce eye strain, use an optical filter such as dark glasses or a blue covering dome during LED inspection.

Inspect the lens. Replace if there is excessive scratching, discoloration or cracking.

**INSTALLATION PROCEDURES:** The following information is to assist in installing a Whelen Light System.

1. Choose the appropriate light assembly.
2. Using the mounting detail information provided, prepare the aircraft for means to secure the light assembly.
3. Connect the light inputs according to the chart shown. Connect the power lead to an appropriately sized breaker. Connections to be in accordance with FAA approved methods.
4. Carefully remove the Lens Retainer and Lenses from the light assembly. CAUTION! Do not touch the LEDs with either fingers or sharp objects. This could soil or damage the LEDs and effect the optical performance of the light.
5. Using the appropriate hardware, install the baseplate to the aircraft.

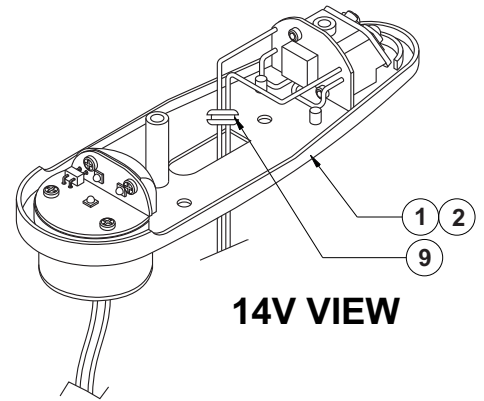
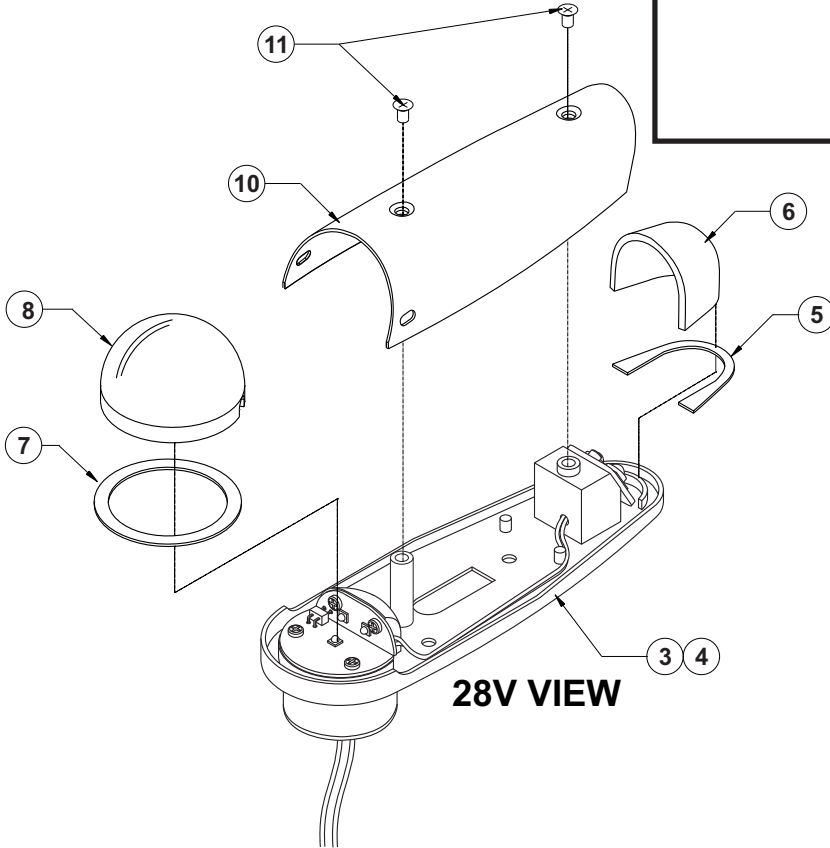
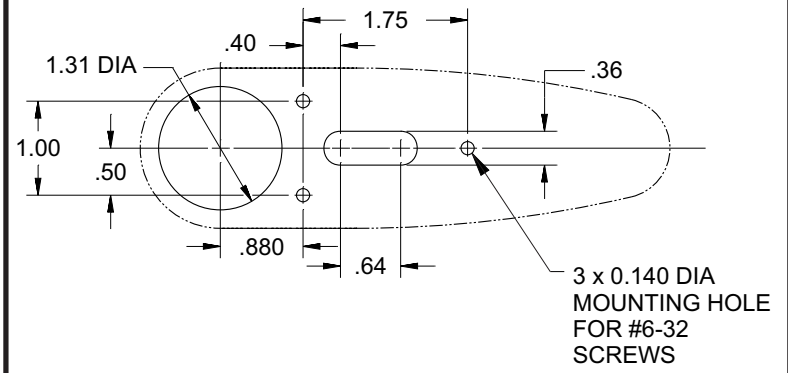


Insure that all leads are clear of any obstructions and secured as required.

6. Reinstall lenses and retainer. Note: install the front lens so that the two notches are positioned under the shroud, with each notch equidistant to the centerline. Confirm proper gasket fit. Reinsert screws and tighten firmly.
7. Check all avionics systems for interference from the installation.
8. A flight check should be performed by a properly certified pilot.
9. Update aircraft records, complete Form 337 and obtain FAA field approval for installation, as required.

Aviation

## MOUNTING DIMENSIONS



QTY.	QTY.	QTY.	QTY.	ITEM	PART NUMBER	DESCRIPTION
			*		01-0790377-01	MODEL 9037701 FINAL ASSY (14V GRN) 6"
			*		01-0790377-02	MODEL 9037702 FINAL ASSY (14V RED) 6"
		*			01-0790377-03	MODEL 9037703 FINAL ASSY (28V GRN) 6"
*					01-0790377-04	MODEL 9037704 FINAL ASSY (28V RED) 6"
-	-	-	1	1	01-0271789-01	ASS'Y, POS LT GRN (14V)
-	-	1	-	2	01-0271789-02	ASS'Y, POS LT RED (14V)
-	1	-	-	3	01-0271789-03	ASS'Y, POS LT GRN (28V)
1	-	-	-	4	01-0271789-04	ASS'Y, POS LT RED (28V)
1	1	1	1	5	38-0250901-00	GASKET, TAIL POSITION LIGHT MODEL 90340
1	1	1	1	6	68-3950903A30	LENS, CLEAR TAIL POSITION LT HARDCOAT
1	1	1	1	7	38-0230021-01	GASKET, POSITION LIGHT SPLIT
1	1	1	1	8	68-3950902A30	LENS, CLEAR FWD POSITION LIGHT
-	-	1	1	9	21-11091202-0	GROMMET, 3/8 #905
1	1	1	1	10	19-170050-010	RETAINER
2	2	2	2	11	14-0050508-27	SCREW, 6-32 5/16 PFHMS CSNK MS51959-27