

WHELEN[®]

ENGINEERING COMPANY INC.

Route 145, Winthrop Road,
Chester, Connecticut 06412
Phone: (860) 526-9504
Fax: (860) 526-2009
Internet: www.whelen.com
Sales/Service e-mail: aviation@whelen.com

Installation Guide: 71110()-series Models 7111001, 02, 03, 04, 05, 06 P/N: 01-0771110-01, -02, -03, -04, -05, -06 LED Forward Position Light/ Strobe Assembly



**TSO-C30c
TYPES I, II
APPROVED**

**TSO-C96a
CLASS II
APPROVED**



The conditions and tests required for TSO approval of this article are minimum performance standards. It is the responsibility of those installing this article either on or within a specific type or class of aircraft to determine that the aircraft installation conditions are within the TSO standards. TSO articles must have separate approval for installation in aircraft. The article may be installed only if performed under 14 CFR part 43 or the applicable airworthiness requirements.

POSITION LIGHT:

Operational Voltage: 14/28 VDC (nominal)

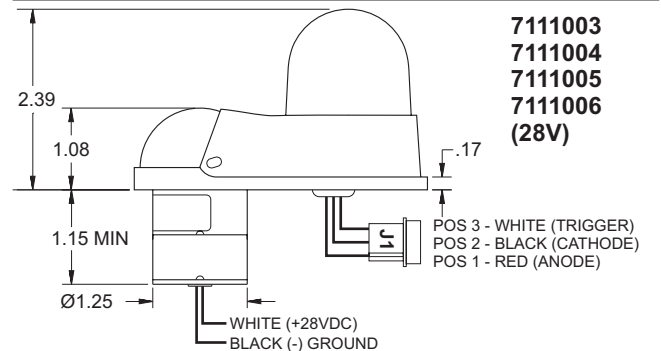
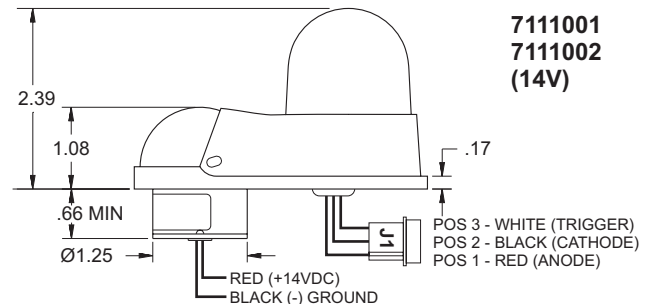
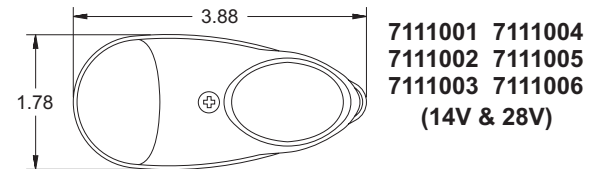
Input Current: 0.25 Amps

EQUIPMENT LIMITATIONS: An approved lighting system consists of two lights, one located on each wingtip. The baseplate must be mounted parallel to the vertical and horizontal centerlines of the aircraft to project the patterns properly. The strobe tube assembly must be connected to a strobe power supply, such as Whelen model 70888, 70879 or other approved models.

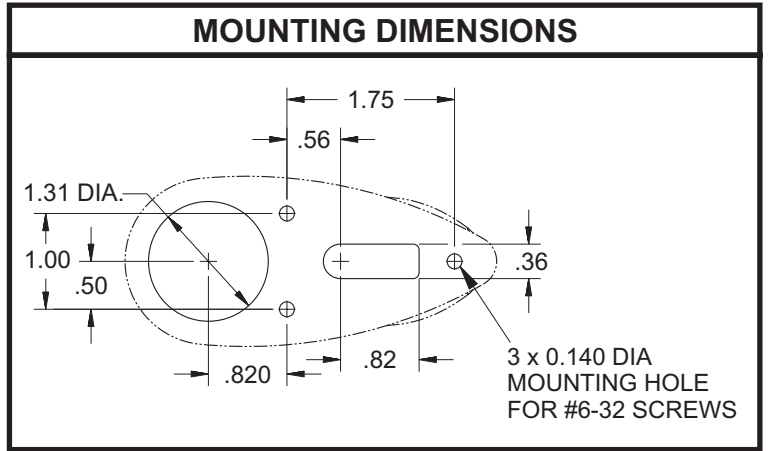
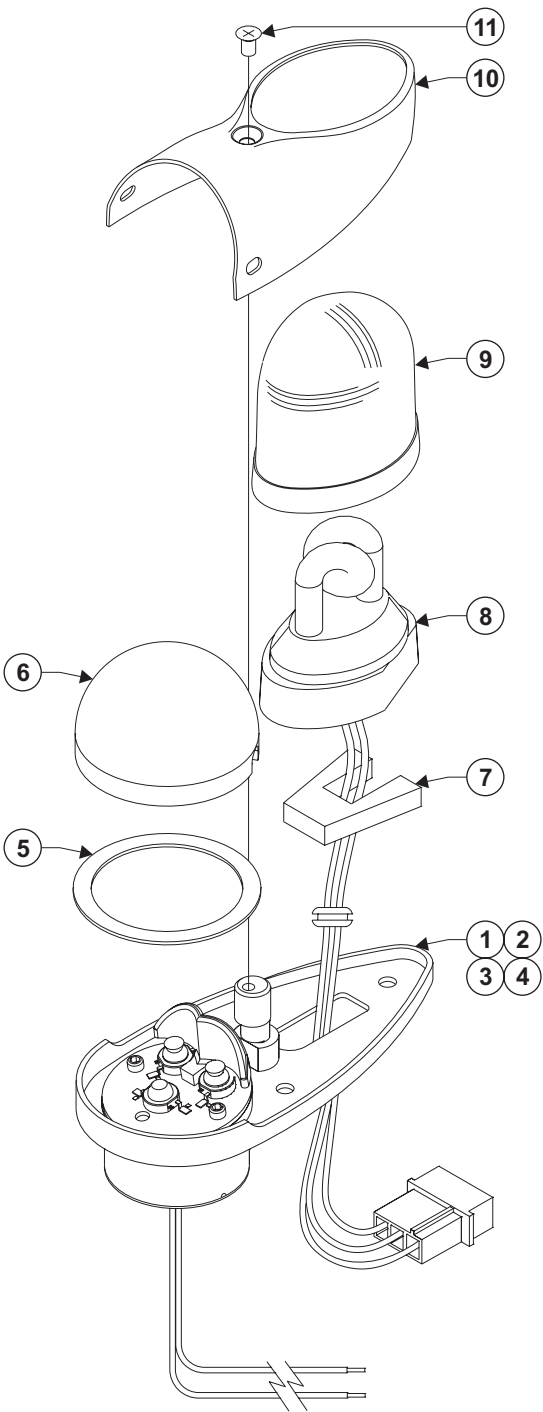
CONTINUED AIRWORTHINESS: The 71110 series LED wingtip position light assembly is designed with 3 LED's. If any one LED fails, the unit must be repaired or replaced. Inspect the lens. Replace if there is excessive scratching, discoloration or cracking.

INSTALLATION PROCEDURES: The following information is to assist in the installation of a Whelen 71110 LED Forward Position Light/Strobe System.

1. Choose the appropriate 71110() series replacement light assembly.
2. The installation procedure described in the following text will be confined to a single light installation, but is identical for multiple light installations.
3. Remove the old light, locate and save the existing +VDC lead and (-) ground lead. Clean and prep ends as required.
4. Make sure the existing system is equipped with an appropriate sized breaker. Connect the existing +14/28 VDC lead to the POSITIVE wire on the input cable assembly (supplied with the light assembly). Connect the existing ground lead to the GROUND wire on the input cable assembly or use the supplied connector as shown in the illustrations. Both leads must be connected by an approved FAA connection. Insure that the wire leads are clear of any obstructions and ty-wrap as required. Connect the strobe, J1, to the strobe power supply as shown in the figure.
5. Remove the shroud from the light assembly.
6. Position the base of the new light assembly onto the mounting surface. Insert three (3) #6-32 pan head screws into the mounting hole and tighten firmly.



7. Reinstall the lens so that the two notches are positioned under the shroud, with each notch equidistant to the centerline.
8. Check all avionics systems for interference from the installation.
9. A flight check should be performed by a properly certified pilot.
10. Update aircraft records, complete Form 337 and obtain FAA field approval for installation, as required.



QTY.	QTY.	QTY.	QTY.	QTY.	QTY.	QTY.	ITEM	PART NUMBER	DESCRIPTION
						*		01-0771110-01	7111001 POS/STROBE LIGHT, 14V (GRN)
						*		01-0771110-02	7111002 POS/STROBE LIGHT, 14V (RED)
			*					01-0771110-03	7111003 POS/STROBE LIGHT, 28V (GRN)
		*						01-0771110-04	7111004 POS/STROBE LIGHT, 28V (RED)
*								01-0771110-05	7111005 POS/STROBE LIGHT, 28V (GRN)
*								01-0771110-06	7111006 POS/STROBE LIGHT, 28V (RED)
-	-	-	-	-	1	1		01-0271179-01	71110 ASS'Y, POSITION/STROBE LIGHT 14V (GRN)
-	-	-	-	-	1	2		01-0271179-02	71110 ASS'Y, POSITION/STROBE LIGHT 14V (RED)
-	1	-	1	-	-	3		01-0271179-03	71110 ASS'Y, POSITION/STROBE LIGHT 28V (GRN)
1	-	1	-	-	-	4		01-0271179-04	71110 ASS'Y, POSITION/STROBE LIGHT 28V (RED)
1	1	1	1	1	1	5		38-0230021-00	GASKET, W-1283/W-1285/A650
1	1	1	1	1	1	6		68-3950902A30	LENS, CLEAR FWD POSITION LIGHT HARDCOAT
1	1	1	1	1	1	7		38-0130107-00	GASKET, A427-4 1/4" THICK
1	1	1	1	1	1	8		36-0050626-01	ASS'Y, FLASHTUBE 6.00" LEADS W/GROMMET
1	1	1	1	1	1	9		68-2290005-34	LENS, CLEAR/COATED A612
1	1	1	1	1	1	10		19-171122-100	RETAINER, LENS MODEL 71110 IRIDITE/COMPLETE
1	1	1	1	1	1	11		14-0050508-27	SCREW, 6-32 5/16 PFHMS CSINK MS51959-27