

## WHELEN<sup>®</sup> ENGINEERING COMPANY INC.

51 Winthrop Road,  
Chester, Connecticut 06412-0684  
Phone: (860) 526-9504  
Fax: (860) 526-4078

### Installation Guide: PAR-36 Super-LED<sup>®</sup> Work Light

Internet: [www.whelen.com](http://www.whelen.com)  
Sales e-mail: [autosale@whelen.com](mailto:autosale@whelen.com)  
Canadian Sales e-mail: [autocan@whelen.com](mailto:autocan@whelen.com)  
Customer Service e-mail: [custserv@whelen.com](mailto:custserv@whelen.com)

#### Installation:

1. Drill a 3/8" mounting hole and insert the mounting bolt through the hinge bracket and into the mounting hole.
2. Secure the hinge bracket with the supplied elastic stop nut and flat washer.
3. Extend the wires to your power source (6, 9 or 12 LED **White or Red: +12VDC Black: Ground**). Fuse the power wire at 3 amps.

**WARNING!** All customer supplied wires that connect to the positive terminal of the battery must be sized to supply at least 125% of the maximum operating current and **FUSED** at the battery to carry that load. **DO NOT USE CIRCUIT BREAKERS WITH THIS PRODUCT!**

**Caution:** Permanent mounting of this product will require drilling. It is absolutely necessary to make sure that no other vehicle components could be damaged by this process. Check both sides of the mounting surface before starting. If damage is likely, select a different mounting location.

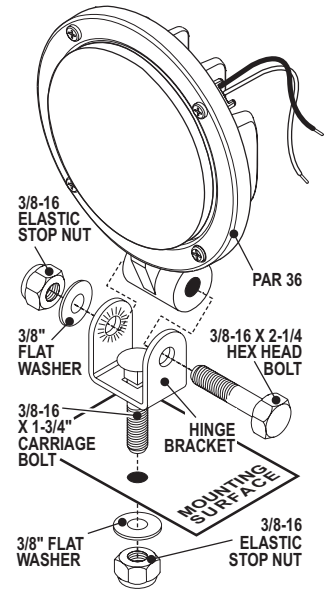
#### IMPORTANT WARNING!

**CAUTION! DO NOT LOOK DIRECTLY AT THESE LEDS WHILE THEY ARE ON. MOMENTARY BLINDNESS AND/OR EYE DAMAGE COULD RESULT!**

©2008 Whelen Engineering Company Inc.  
Form No.14165 (011008)

For warranty information regarding this product, visit [www.whelen.com/warranty](http://www.whelen.com/warranty)

**IMPORTANT!** It is the responsibility of the installation technician to make sure that the installation and operation of this product will not interfere with or compromise the operation or efficiency of any vehicle equipment! Before returning the vehicle to active service, visually confirm the proper operation of this product, as well as all vehicle components/equipment.



## WHELEN<sup>®</sup> ENGINEERING COMPANY INC.

51 Winthrop Road,  
Chester, Connecticut 06412-0684  
Phone: (860) 526-9504  
Fax: (860) 526-4078

### Installation Guide: PAR-36 Super-LED<sup>®</sup> Work Light

Internet: [www.whelen.com](http://www.whelen.com)  
Sales e-mail: [autosale@whelen.com](mailto:autosale@whelen.com)  
Canadian Sales e-mail: [autocan@whelen.com](mailto:autocan@whelen.com)  
Customer Service e-mail: [custserv@whelen.com](mailto:custserv@whelen.com)

#### Installation:

1. Drill a 3/8" mounting hole and insert the mounting bolt through the hinge bracket and into the mounting hole.
2. Secure the hinge bracket with the supplied elastic stop nut and flat washer.
3. Extend the wires to your power source (6, 9 or 12 LED **White or Red: +12VDC Black: Ground**). Fuse the power wire at 3 amps.

**WARNING!** All customer supplied wires that connect to the positive terminal of the battery must be sized to supply at least 125% of the maximum operating current and **FUSED** at the battery to carry that load. **DO NOT USE CIRCUIT BREAKERS WITH THIS PRODUCT!**

**Caution:** Permanent mounting of this product will require drilling. It is absolutely necessary to make sure that no other vehicle components could be damaged by this process. Check both sides of the mounting surface before starting. If damage is likely, select a different mounting location.

#### IMPORTANT WARNING!

**CAUTION! DO NOT LOOK DIRECTLY AT THESE LEDS WHILE THEY ARE ON. MOMENTARY BLINDNESS AND/OR EYE DAMAGE COULD RESULT!**

©2008 Whelen Engineering Company Inc.  
Form No.14165 (011008)

For warranty information regarding this product, visit [www.whelen.com/warranty](http://www.whelen.com/warranty)

**IMPORTANT!** It is the responsibility of the installation technician to make sure that the installation and operation of this product will not interfere with or compromise the operation or efficiency of any vehicle equipment! Before returning the vehicle to active service, visually confirm the proper operation of this product, as well as all vehicle components/equipment.

