

# WHELEN<sup>®</sup>

ENGINEERING COMPANY INC.

51 Winthrop Road,  
Chester, Connecticut 06412-0684  
Phone: (860) 526-9504  
Fax: (860) 526-4078

## Installation Guide: 700 Series LED Scenelight

Internet: [www.whelen.com](http://www.whelen.com)  
Sales e-mail: [autosale@whelen.com](mailto:autosale@whelen.com)  
Canadian Sales e-mail: [Canadiansales@whelen.com](mailto:Canadiansales@whelen.com)  
Customer Service e-mail: [custserv@whelen.com](mailto:custserv@whelen.com)

### Mounting:

**IMPORTANT!** When selecting a mounting location, keep in mind that there must be a minimum of 2" clearance around the perimeter of the lighthouse and any vehicle components (insulation, etc.). The rear of the lighthouse must have a minimum 1/8" clearance. This increases airflow over the heatsink and helps maintain proper operating temperature.

**Caution:** Permanent mounting of this product will require drilling. It is absolutely necessary to make sure that no other vehicle components could be damaged by this process. Check both sides of the mounting surface before starting. If damage is likely, select a different mounting location.

1. Using the mounting diagram, mark off the mounting holes and the "cut-out" area.
2. Using a 1/4" drill bit, drill the mounting holes then carefully cut and remove the area of the mounting surface indicated. Do not remove the mounting surface where the mounting holes are drilled.

**NOTE** The word "TOP" embossed on the lens must be on the top of the light after mounting.

3. Route the cable through the wiring hole and refer to "wiring information" for connections and fusing. After testing the operation, position the lighthouse onto the mounting surface and secure to the vehicle using the four #6 x 1 1/2" sheet metal screws and flange grommet provided.

**WARNING!** All customer supplied wires that connect to the positive (+) terminal of the battery must be sized to supply at least 125% of the maximum operating current and FUSED "at the battery" to carry that load. **DO NOT USE CIRCUIT BREAKERS WITH THIS PRODUCT!**

**IMPORTANT!** It is the responsibility of the installation technician to make sure that the installation and operation of this product will not interfere with or compromise the operation or efficiency of any vehicle equipment!

**IMPORTANT!** Before returning the vehicle to active service, visually confirm the proper operation of this product, as well

#### IMPORTANT WARNING!

**CAUTION! DO NOT LOOK DIRECTLY AT THESE LEDS WHILE THEY ARE ON. MOMENTARY BLINDNESS AND/OR EYE DAMAGE COULD RESULT!**

©2008 Whelen Engineering Company Inc.  
Form No.14172B (121511)

For warranty information regarding this product, visit [www.whelen.com/warranty](http://www.whelen.com/warranty)

# WHELEN<sup>®</sup>

ENGINEERING COMPANY INC.

51 Winthrop Road,  
Chester, Connecticut 06412-0684  
Phone: (860) 526-9504  
Fax: (860) 526-4078

## Installation Guide: 700 Series LED Scenelight

Internet: [www.whelen.com](http://www.whelen.com)  
Sales e-mail: [autosale@whelen.com](mailto:autosale@whelen.com)  
Canadian Sales e-mail: [Canadiansales@whelen.com](mailto:Canadiansales@whelen.com)  
Customer Service e-mail: [custserv@whelen.com](mailto:custserv@whelen.com)

### Mounting:

**IMPORTANT!** When selecting a mounting location, keep in mind that there must be a minimum of 2" clearance around the perimeter of the lighthouse and any vehicle components (insulation, etc.). The rear of the lighthouse must have a minimum 1/8" clearance. This increases airflow over the heatsink and helps maintain proper operating temperature.

**Caution:** Permanent mounting of this product will require drilling. It is absolutely necessary to make sure that no other vehicle components could be damaged by this process. Check both sides of the mounting surface before starting. If damage is likely, select a different mounting location.

1. Using the mounting diagram, mark off the mounting holes and the "cut-out" area.
2. Using a 1/4" drill bit, drill the mounting holes then carefully cut and remove the area of the mounting surface indicated. Do not remove the mounting surface where the mounting holes are drilled.

**NOTE** The word "TOP" embossed on the lens must be on the top of the light after mounting.

3. Route the cable through the wiring hole and refer to "wiring information" for connections and fusing. After testing the operation, position the lighthouse onto the mounting surface and secure to the vehicle using the four #6 x 1 1/2" sheet metal screws and flange grommet provided.

**WARNING!** All customer supplied wires that connect to the positive (+) terminal of the battery must be sized to supply at least 125% of the maximum operating current and FUSED "at the battery" to carry that load. **DO NOT USE CIRCUIT BREAKERS WITH THIS PRODUCT!**

**IMPORTANT!** It is the responsibility of the installation technician to make sure that the installation and operation of this product will not interfere with or compromise the operation or efficiency of any vehicle equipment!

**IMPORTANT!** Before returning the vehicle to active service, visually confirm the proper operation of this product, as well

#### IMPORTANT WARNING!

**CAUTION! DO NOT LOOK DIRECTLY AT THESE LEDS WHILE THEY ARE ON. MOMENTARY BLINDNESS AND/OR EYE DAMAGE COULD RESULT!**

©2008 Whelen Engineering Company Inc.  
Form No.14172B (121511)

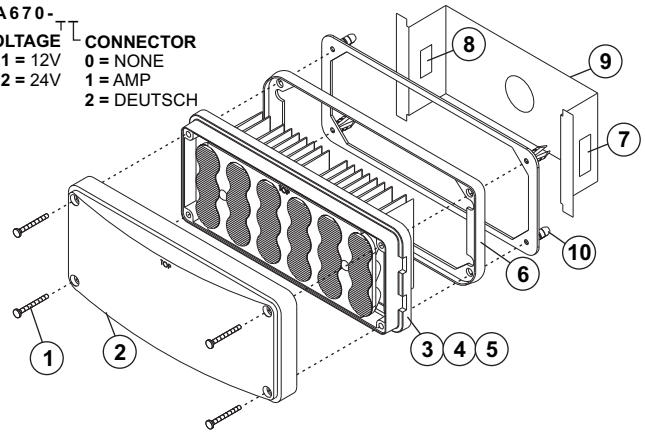
For warranty information regarding this product, visit [www.whelen.com/warranty](http://www.whelen.com/warranty)

QTY	QTY	QTY	ITEM	PART NUMBER	DESCRIPTION
	*			01-066A670-0	LED 700 SERIES SCENELIGHT (No Connector)
	*			01-066A670-1	LED 700 SERIES SCENELIGHT (Amp Connector)
	*			01-066A670-2	LED 700 SERIES SCENELIGHT (Deutsch Connector)
4	4	4	1	15-061416-240	#6 X 1 1/2" PHILLIPS PAN HEAD SMS
1	1	1	2	68-1183464-3S	LENS / CLEAR 7E SCENELIGHT w/SEAL
-	-	A/R	3	01-026A532-0	SUB-ASSY / LED SCENE LT 700 / NO CONNECTOR
-	A/R	-	4	01-026A532-1	SUB-ASSY / LED SCENE LT 700 / AMP CONNECTOR
A/R	-	-	5	01-026A532-2	SUB-ASSY / LED SCENE LT / DEUTSCH CONN.
1	1	1	6	38-0463342-00	GASKET / 700 SERIES REFLECTOR w/o FLANGE
A/R	A/R	A/R	7	10-0523413-__	LABEL, P/N
2	2	2	8	66-0416986-00	TAPE, VHB DOUBLE STICK FOAM
1	1	1	9	11-26A668-000	COVER, HEATSINK 700 SCENE LT
1	1	1	10	11-76D257-000	FLANGE GROMMET, 700 SERIES

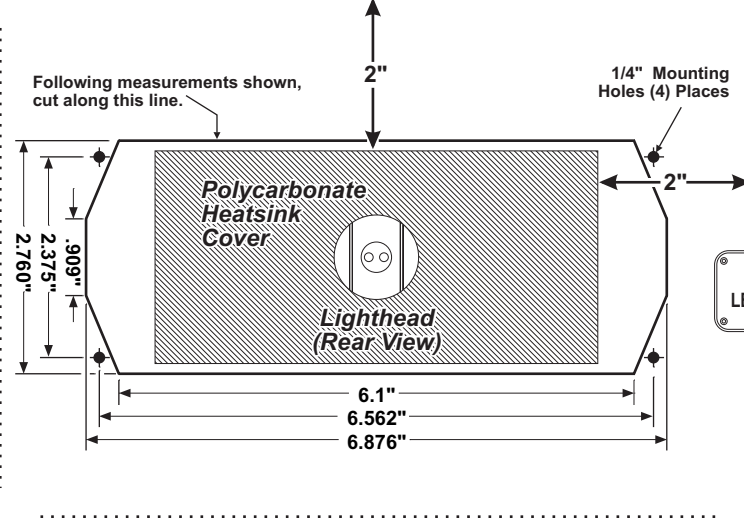
PART NO. KEY:  
01-066A670-

VOLTAGE  
1 = 12V  
2 = 24V

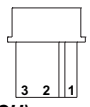
CONNECTOR  
0 = NONE  
1 = AMP  
2 = DEUTSCH



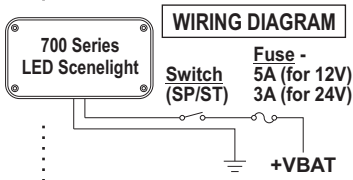
This border represents the 2" clearance required around the perimeter of the heatsink. NO VEHICLE COMPONENTS ARE ALLOWED WITHIN THIS AREA!



**PIN HOUSING (AMP)**  
Position 1 / White (+) VDC  
Position 2 / No Connection  
Position 3 / Black / Ground or BLK/WHT / Ground (24V)



**SOCKET HOUSING (DEUTSCH)**  
Position A / White (+)DCV  
Position B / Sealing Plug  
Position C / Black / Ground or BLK/WHT / Ground (24V)



**700 Series 24 volt / Specifications**  
Input Voltage: 25.6 VDC +/- 20%  
Input Current: 1 AMP

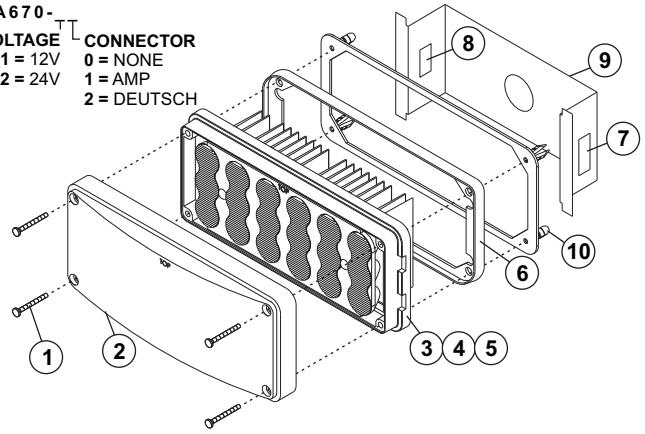
**700 Series 12 volt / Specifications**  
Input Voltage: 12.8 VDC +/- 20%  
Input Current: 2 AMPS

QTY	QTY	QTY	ITEM	PART NUMBER	DESCRIPTION
	*			01-066A670-0	LED 700 SERIES SCENELIGHT (No Connector)
	*			01-066A670-1	LED 700 SERIES SCENELIGHT (Amp Connector)
	*			01-066A670-2	LED 700 SERIES SCENELIGHT (Deutsch Connector)
4	4	4	1	15-061416-240	#6 X 1 1/2" PHILLIPS PAN HEAD SMS
1	1	1	2	68-1183464-3S	LENS / CLEAR 7E SCENELIGHT w/SEAL
-	-	A/R	3	01-026A532-0	SUB-ASSY / LED SCENE LT 700 / NO CONNECTOR
-	A/R	-	4	01-026A532-1	SUB-ASSY / LED SCENE LT 700 / AMP CONNECTOR
A/R	-	-	5	01-026A532-2	SUB-ASSY / LED SCENE LT / DEUTSCH CONN.
1	1	1	6	38-0463342-00	GASKET / 700 SERIES REFLECTOR w/o FLANGE
A/R	A/R	A/R	7	10-0523413-__	LABEL, P/N
2	2	2	8	66-0416986-00	TAPE, VHB DOUBLE STICK FOAM
1	1	1	9	11-26A668-000	COVER, HEATSINK 700 SCENE LT
1	1	1	10	11-76D257-000	FLANGE GROMMET, 700 SERIES

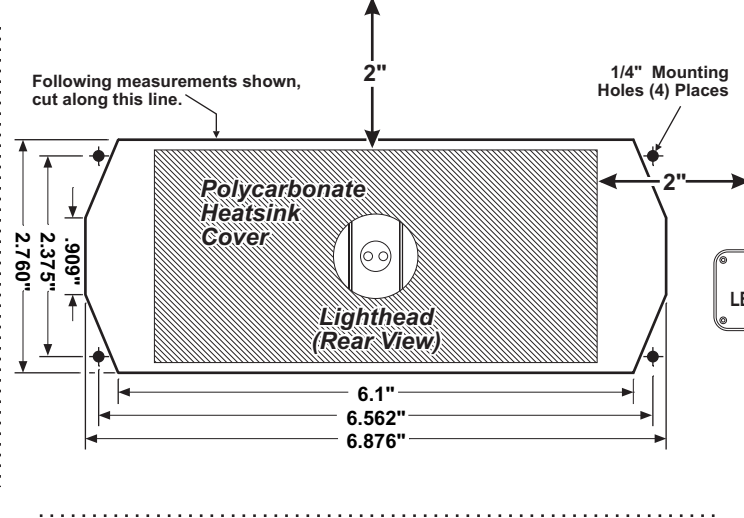
PART NO. KEY:  
01-066A670-

VOLTAGE  
1 = 12V  
2 = 24V

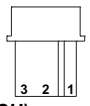
CONNECTOR  
0 = NONE  
1 = AMP  
2 = DEUTSCH



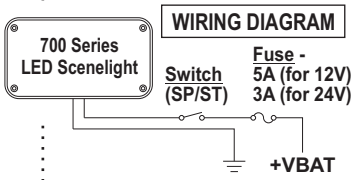
This border represents the 2" clearance required around the perimeter of the heatsink. NO VEHICLE COMPONENTS ARE ALLOWED WITHIN THIS AREA!



**PIN HOUSING (AMP)**  
Position 1 / White (+) VDC  
Position 2 / No Connection  
Position 3 / Black / Ground or BLK/WHT / Ground (24V)



**SOCKET HOUSING (DEUTSCH)**  
Position A / White (+)DCV  
Position B / Sealing Plug  
Position C / Black / Ground or BLK/WHT / Ground (24V)



**700 Series 24 volt / Specifications**  
Input Voltage: 25.6 VDC +/- 20%  
Input Current: 1 AMP

**700 Series 12 volt / Specifications**  
Input Voltage: 12.8 VDC +/- 20%  
Input Current: 2 AMPS