

WHELEN[®]

ENGINEERING COMPANY INC.

51 Winthrop Road,
Chester, Connecticut 06412-0684
Phone: (860) 526-9504
Fax: (860) 526-4078

Installation Guide: LIN4™ Super-LED® Trunk Mount Bracket Ford Crown Victoria / SBKT3

Internet: www.whelen.com
Sales e-mail: autosale@whelen.com
Canadian Sales e-mail: autocan@whelen.com
Customer Service e-mail: custserv@whelen.com

This bracket will mount to the inside of the trunk using one of the two bolts that hold the trunk hinges on. The driver side bracket has a tab on the side to mount a switch (customer supplied).

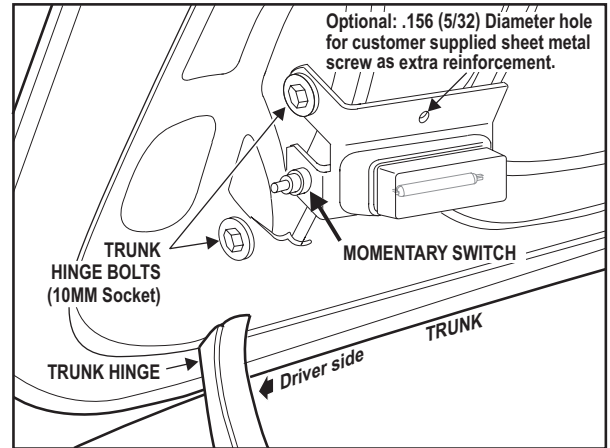
WARNING: Install the brackets on one side of the vehicle at a time. If you loosen both trunk hinge bolts at the same time the trunk will shift and will not line up properly.

Installation:

1. Loosen (*do not remove*) the upper trunk hinge bolt on one side of the vehicle enough to slide the bracket into place. Be careful not to move the trunk hinge.
2. Slide the bracket under the bolt and tighten the bolt firmly.
3. Ty-wrap the wires to the trunk hinge as you extend them to your power source, being very careful that the wires won't be pinched when you open and close the trunk.
4. Repeat this procedure for the other side of the vehicle. Refer to the wiring diagram on the next page for wiring the lightheads.

WARNING! All customer supplied wires that connect to the positive terminal of the battery must be sized to supply at least 125% of the maximum operating current and **FUSED** at the battery to carry that load. **DO NOT USE CIRCUIT BREAKERS WITH THIS PRODUCT!**

IMPORTANT: Before returning the vehicle to active service, visually confirm the proper operation of this product, as well as all vehicle components/equipment.



IMPORTANT WARNING!
CAUTION! DO NOT LOOK DIRECTLY AT THESE LED'S WHILE THEY ARE ON. MOMENTARY BLINDNESS AND/OR EYE DAMAGE COULD RESULT!

©2008 Whelen Engineering Company Inc.
Form No.14177 (020708)

For warranty information regarding this product, visit www.whelen.com/warranty

WHELEN[®]

ENGINEERING COMPANY INC.

51 Winthrop Road,
Chester, Connecticut 06412-0684
Phone: (860) 526-9504
Fax: (860) 526-4078

Installation Guide: LIN4™ Super-LED® Trunk Mount Bracket Ford Crown Victoria / SBKT3

Internet: www.whelen.com
Sales e-mail: autosale@whelen.com
Canadian Sales e-mail: autocan@whelen.com
Customer Service e-mail: custserv@whelen.com

This bracket will mount to the inside of the trunk using one of the two bolts that hold the trunk hinges on. The driver side bracket has a tab on the side to mount a switch (customer supplied).

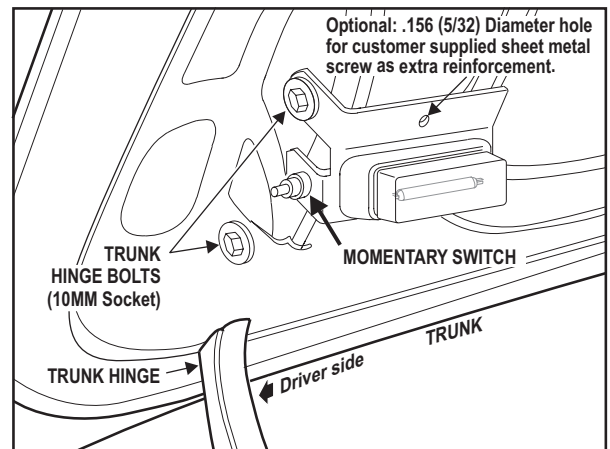
WARNING: Install the brackets on one side of the vehicle at a time. If you loosen both trunk hinge bolts at the same time the trunk will shift and will not line up properly.

Installation:

1. Loosen (*do not remove*) the upper trunk hinge bolt on one side of the vehicle enough to slide the bracket into place. Be careful not to move the trunk hinge.
2. Slide the bracket under the bolt and tighten the bolt firmly.
3. Ty-wrap the wires to the trunk hinge as you extend them to your power source, being very careful that the wires won't be pinched when you open and close the trunk.
4. Repeat this procedure for the other side of the vehicle. Refer to the wiring diagram on the next page for wiring the lightheads.

WARNING! All customer supplied wires that connect to the positive terminal of the battery must be sized to supply at least 125% of the maximum operating current and **FUSED** at the battery to carry that load. **DO NOT USE CIRCUIT BREAKERS WITH THIS PRODUCT!**

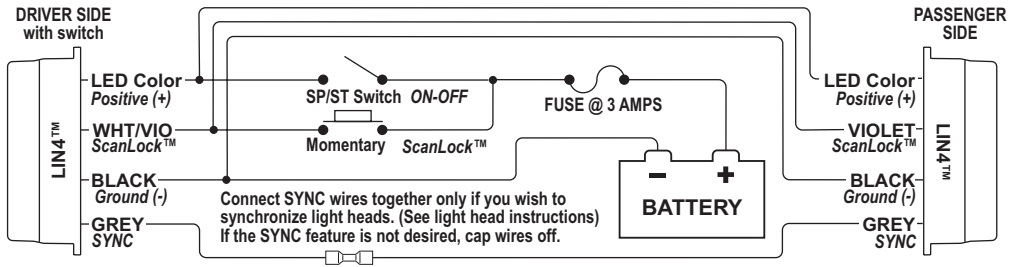
IMPORTANT: Before returning the vehicle to active service, visually confirm the proper operation of this product, as well as all vehicle components/equipment.



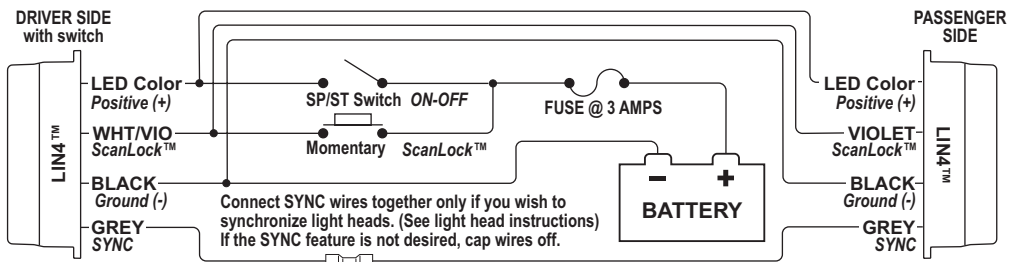
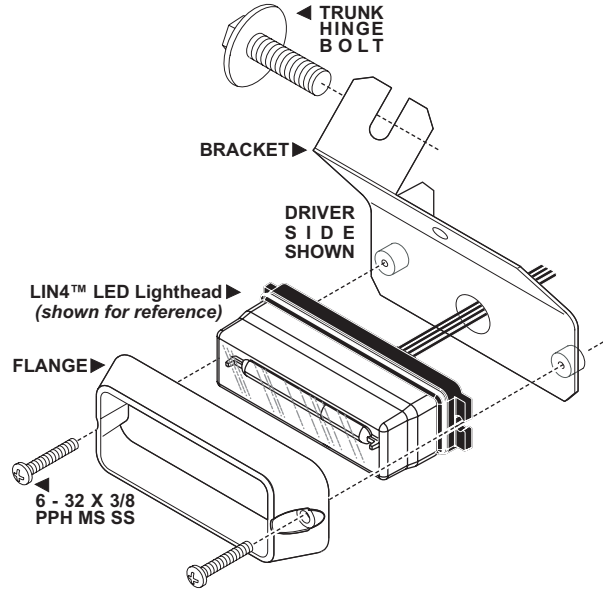
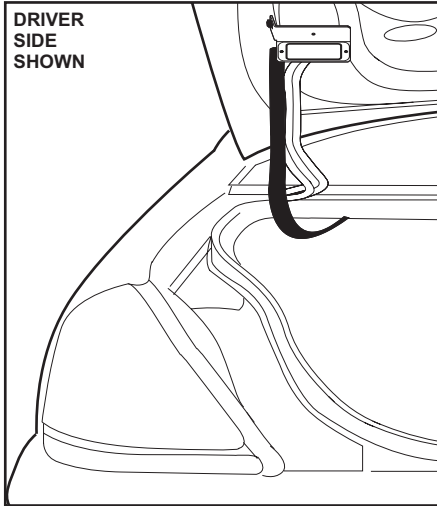
IMPORTANT WARNING!
CAUTION! DO NOT LOOK DIRECTLY AT THESE LED'S WHILE THEY ARE ON. MOMENTARY BLINDNESS AND/OR EYE DAMAGE COULD RESULT!

©2008 Whelen Engineering Company Inc.
Form No.14177 (020708)

For warranty information regarding this product, visit www.whelen.com/warranty



See LIN4™ Lighthouse manual for discription and operation of SYNC and ScanLock™. All switches and fuses are supplied by customer.



See LIN4™ Lighthouse manual for discription and operation of SYNC and ScanLock™. All switches and fuses are supplied by customer.

