

# WHELEN<sup>®</sup>

ENGINEERING COMPANY INC.

51 Winthrop Road  
 Chester, Connecticut 06412-0684  
 Phone: (860) 526-9504  
 Fax: (860) 526-4078  
 Internet: [www.whelen.com](http://www.whelen.com)  
 Sales e-mail: [autosale@whelen.com](mailto:autosale@whelen.com)  
 Canadian Sales e-mail: [autocan@whelen.com](mailto:autocan@whelen.com)  
 Customer Service e-mail: [custserv@whelen.com](mailto:custserv@whelen.com)

## Installation Guide: Custom Chassis Bumper Mount SA315 Siren Speaker

**DANGER!** Sirens produces extremely loud emergency warning tones! Exposure to these tones without proper and adequate hearing protection, could cause ear damage and/or hearing loss! The Occupational Safety & Health Administration ([www.osha.gov](http://www.osha.gov)) provides information necessary to determine safe exposure times in Occupational Noise Exposure Section 1910.95. Until you have determined the safe exposure times for your specific application, operators and anyone else in the immediate vicinity should be required to wear an approved hearing protection device. **FAILURE TO FOLLOW THIS RECOMMENDATION COULD CAUSE HEARING LOSS!**

### Safety First

This document provides all the necessary information to allow your Whelen product to be properly and safely installed. Before beginning the installation and/or operation of your new product, the installation technician and operator must read this manual completely. Important information is contained herein that could prevent serious injury or damage.

- Proper installation of this product requires the installer to have a good understanding of automotive electronics, systems and procedures.
- If mounting this product requires drilling holes, the installer **MUST** be sure that no vehicle components or other vital parts could be damaged by the drilling process. Check both sides of the mounting surface before drilling begins. Also de-burr any holes and remove any metal shards or remnants. Install grommets into all wire passage holes.
- If this manual states that this product may be mounted with suction cups, magnets, tape or Velcro<sup>®</sup>, clean the mounting surface with a 50/50 mix of isopropyl alcohol and water and dry thoroughly.
- Do not install this product or route any wires in the deployment area of your air bag. Equipment mounted or located in the air bag deployment area will damage or reduce the effectiveness of the air bag, or become a projectile that could cause serious personal injury or death. Refer to your vehicle owner's manual for the air bag deployment area. The User/Installer assumes full responsibility to determine proper mounting location, based on providing ultimate safety to all passengers inside the vehicle.
- For this product to operate at optimum efficiency, a good electrical connection to chassis ground must be made. The recommended procedure requires the product ground wire to be connected directly to the **NEGATIVE (-)** battery post.
- If this product uses a remote device to activate or control this product, make sure this control is located in an area that allows both the vehicle and the control to be operated safely in any driving condition. **DO NOT ATTEMPT TO ACTIVATE OR CONTROL THIS DEVICE IN A HAZARDOUS DRIVING SITUATION.**
- It is recommended that these instructions be stored in a safe place and referred to when performing maintenance and/or reinstallation of this product.
- **FAILURE TO FOLLOW THESE SAFETY PRECAUTIONS AND INSTRUCTIONS COULD RESULT IN DAMAGE TO THE PRODUCT OR VEHICLE AND/OR SERIOUS INJURY TO YOU AND YOUR PASSENGERS!**

**ACTIVATION OF THIS  
 SIREN MAY DAMAGE  
 UNPROTECTED EARS!**



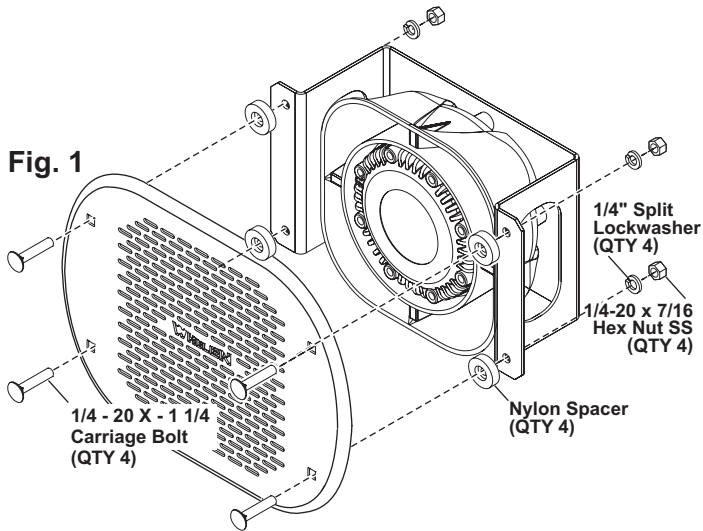
**CAUTION**

Loud siren noise can cause hearing damage and/or loss. Refer to OSHA Section 1910.95 prior to putting ANY siren into service!

**For warranty information regarding this product, visit [www.whelen.com/warranty](http://www.whelen.com/warranty)**

## Installation:

This siren speaker bracket mounts to the front bumper.



1. The bracket (with speaker attached) comes loosely secured to the screen. Remove the screen and spacers from the speaker/bracket by removing the 4 nuts and washers that secure it (Fig. 1).

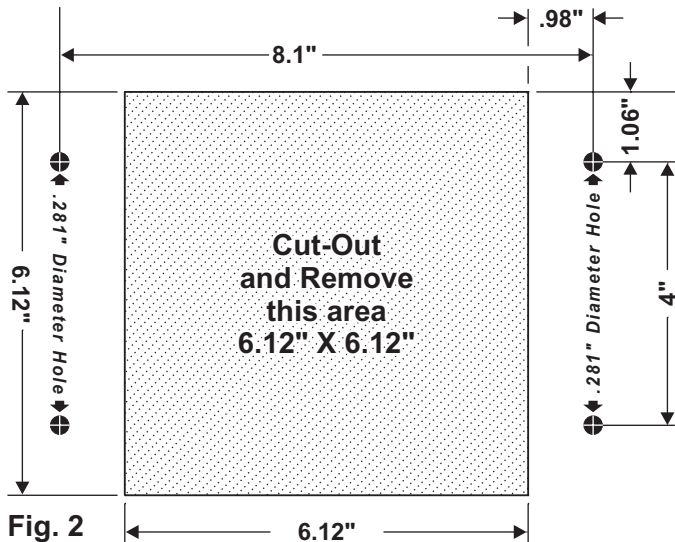


Fig. 2

QTY	ITEM	PART NUMBER	DESCRIPTION
*		01-0886057-00	315 SIREN BEHIND BUMPER MNT
4	1	14-130066-20S	1/4-20 X 1 1/4 CARRIAGE BOLT SS CHR. PL.
1	2	11-16A476-003	SCREEN with WHELEN LOGO / CHR. PL.
4	3	20-0043620-00	NYLON SPACER
1	4	01-0884777-10	SIREN MODEL SA315P with BUTT SPLICE
1	5	07-26A475-023	MTG. BRKT. / 315 SIREN BEHIND BUMPER
6	6	16-1331520-65	1/4 SPLIT LOCK WASHER
4	7	13-130120-070	1/4-20 X 7/16 HEX SS NUT
2	8	14-130436-200	1/4-20 X 1 1/4 HEX HEAD BOLT

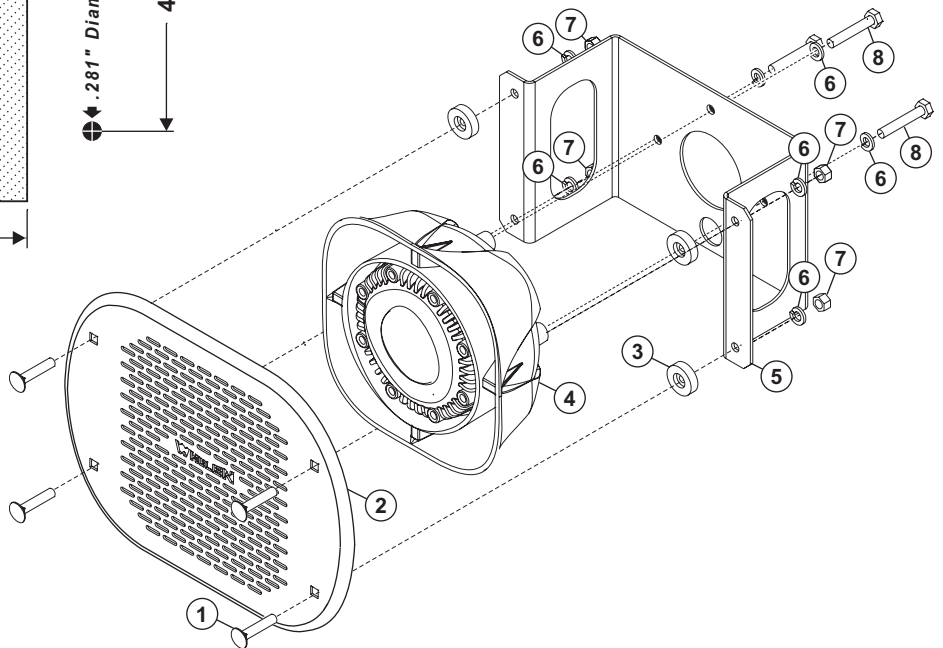


Fig. 3

2. Using the mounting dimensions shown, mark off the area to be cut out and the mounting bolt hole locations onto the mounting surface (Fig. 2).

**WARNING: Permanent mounting of this product will require drilling. It is absolutely necessary to make sure that no other vehicle components could be damaged by this process. Check both sides of the mounting surface before starting. If damage is likely, select a different mounting location.**

3. Drill the four .281 mounting holes, then cut out and remove the indicated area (Fig. 2).
4. Mount the siren speaker with bracket to the vehicle using the supplied hardware in the order shown (Fig. 3).
5. Extend the WHITE (positive) and the BLACK (negative) siren speaker wires to your siren amplifier and connect them as shown in the amplifier's instructions.

**IMPORTANT! It is the responsibility of the installation technician to make sure that the installation and operation of this product will not interfere with or compromise the operation or efficiency of any vehicle equipment!**

**IMPORTANT! Before returning the vehicle to active service, visually confirm the proper operation of this product, as well as all vehicle components/equipment.**