

WHELEN[®]

ENGINEERING COMPANY INC.

51 Winthrop Road

Chester, Connecticut 06412-0684

Phone: (800) 63SIREN

Phone: (860) 526-9504

Fax: (860) 526-4784

Internet: www.whelen.com

Sales e-mail: iowsales@whelen.com

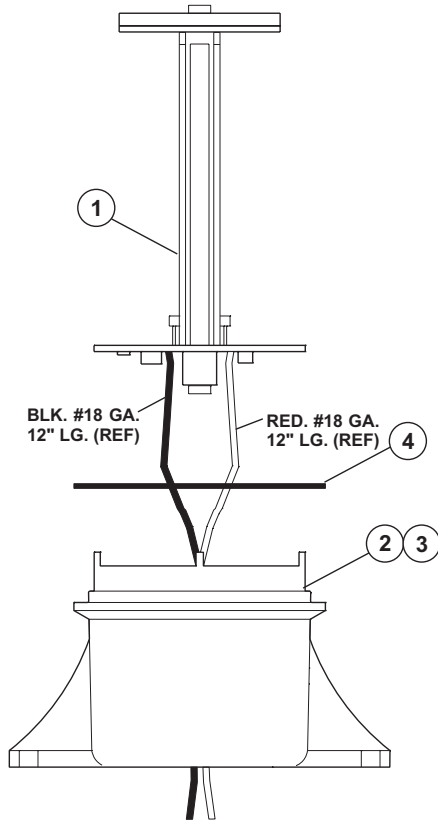
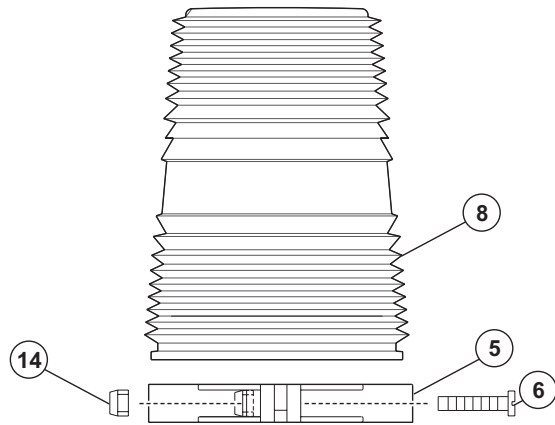
Customer Service e-mail: iowserv@whelen.com

Model 1600 LED Beacon

Installation / Operation Guide

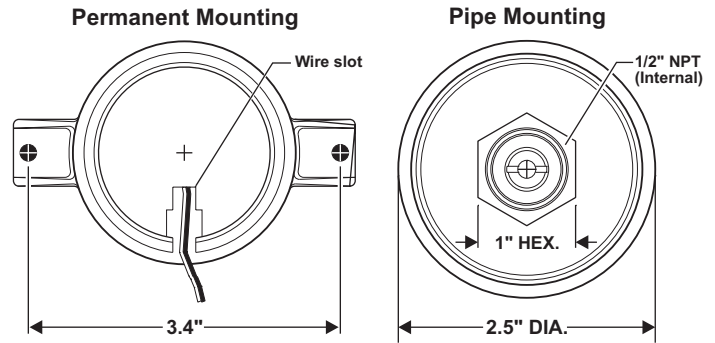
Industrial

For warranty information regarding this product, visit www.whelen.com/warranty



Mounting Instructions:

This beacon is made for permanent surface mount or pipe mount on a 1/2" NPT thread.



Surface Mount:

1. Locate the wires in the wire slot and mount with 2 customer supplied screws. Make sure the wires are in the wire slot and not pinched under the base.
2. Extend the wires to your power source (See wiring).

Pipe Mount / internal thread:

1. Feed the power wires through the pipe.
2. Wire according to wiring instructions below.
3. Screw the base onto the 1/2" NPT pipe and hand tighten.
4. Extend the wires to your power source (See wiring).

Wiring:

WARNING! All customer supplied wires that connect to the positive terminal of the battery must be sized to supply at least 125% of the maximum operating current and FUSED at 5 AMPS at the battery. DO NOT USE CIRCUIT BREAKERS WITH THIS PRODUCT!

Wiring: Connect the RED wire to +12V DC and the BLACK wire to a negative ground. Fuse the RED wire at 5 amps.

Operation:

Apply positive voltage to the RED wire to activate the light in SingleFlash 75 (75 flashes per minute). A customer supplied switch is recommended.

QTY	ITEM	PART NUMBER	DESCRIPTION
*		01-0686061-A_	10-80V LED LIGHT
1	1	02-016A574-00	10-80V LED BALLAST ASSY
A/R	2	11-462314-000	HOUSING-BASE / PIPE MOUNT / INTERNAL
A/R	3	11-462361-000	HOUSING-BASE / FLANGE MOUNT
1	4	38-0416442-00	"O" RING
1	5	19-262353-000	CLAMP RING-MODEL IS1 SERIES
1	6	14-062216-100	#6-32 X 5/8" LG. PHMS
1	7	10-0317490-00	J-L-B P-N BAR CD. DATE LABEL not shown
1	8	68-2130024-10	OPTIC LENS-AMBER
1	9	13-062120-052	#6-32 ELASTIC STOP NUT
1	10	26-0215001-03	TY-WRAP / 3" LG. / Internal
1	11	10-0343490-02	LABEL / UL I.D. NUMBER

Part Number **01-0686061-A** Base Type

Base Type:
S = Standard
P = Pipe

IMPORTANT WARNING!

CAUTION! DO NOT LOOK DIRECTLY AT THESE LED'S WHILE THEY ARE ON. MOMENTARY BLINDNESS AND/OR EYE DAMAGE COULD RESULT!

Specifications:

Input Voltage 10v DC to 80v DC
 Input Current Peak 0.350 amps @ 12.8V DC / Avg. 0.175 amps @ 12.8V DC
 Flash Rate 75 Single Flashes Per Minute +/-20%
 Flash Rate Duty Cycle 50%