

# WHELEN<sup>®</sup>

ENGINEERING COMPANY INC.

51 Winthrop Road,  
Chester, Connecticut 06412-0684  
Phone: (860) 526-9504  
Fax: (860) 526-4078

## Installation Guide: LIN4™ Lighthood Mounting Bracket Model SBKT4 Swivel bracket

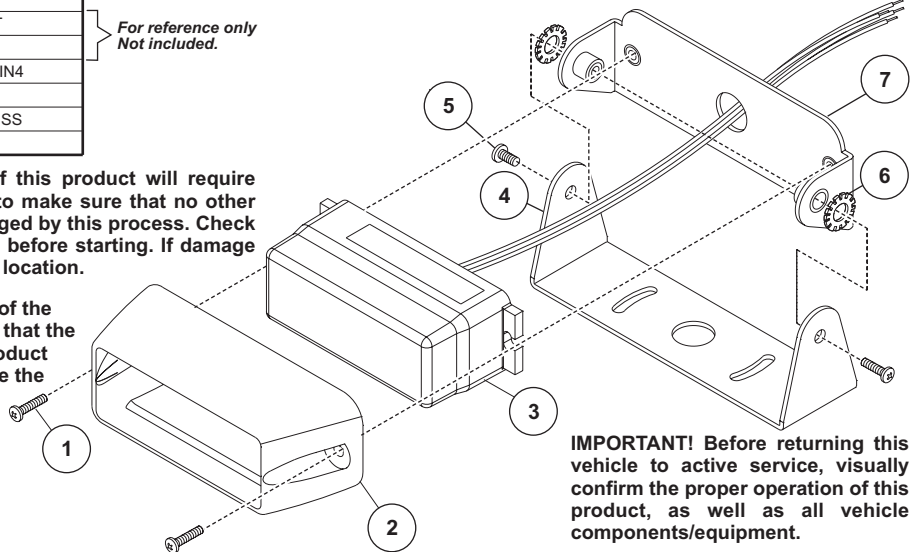
Internet: [www.whelen.com](http://www.whelen.com)  
Sales e-mail: [autosale@whelen.com](mailto:autosale@whelen.com)  
Canadian Sales e-mail: [autocan@whelen.com](mailto:autocan@whelen.com)  
Customer Service e-mail: [custserv@whelen.com](mailto:custserv@whelen.com)

QTY	ITEM	DESCRIPTION
2	1	SCREW, #6-32 X 1/2 PPHMS SS
REF	2	FLANGE, TALL, SURFACE MOUNT
REF	3	LIGHTHEAD ASSY
1	4	BASE, SWIVEL MOUNT, SINGLE LIN4
2	5	SCREW / #8-32 X 3/8 PPHMS SS
2	6	LOCKWASHER / #10 EXT. TOOTH SS
1	7	BRACKET, SWIVEL MOUNT

*For reference only  
Not included.*

**WARNING!** Permanent mounting of this product will require drilling. It is absolutely necessary to make sure that no other vehicle components could be damaged by this process. Check both sides of the mounting surface before starting. If damage is likely, select a different mounting location.

**IMPORTANT:** It is the responsibility of the installation technician to make sure that the installation and operation of this product will not interfere with or compromise the operation or efficiency of any vehicle equipment!



**SBKT4** Follow the mounting configuration below. The screws that mount the bracket to the vehicle are customer supplied.

**IMPORTANT!** Before returning this vehicle to active service, visually confirm the proper operation of this product, as well as all vehicle components/equipment.

©2008 Whelen Engineering Company Inc.  
Form No.14195 (050508)

**For warranty information regarding this product, visit [www.whelen.com/warranty](http://www.whelen.com/warranty)**

# WHELEN<sup>®</sup>

ENGINEERING COMPANY INC.

51 Winthrop Road,  
Chester, Connecticut 06412-0684  
Phone: (860) 526-9504  
Fax: (860) 526-4078

## Installation Guide: Model SBKT4 / Swivel bracket LIN4™ Lighthoods

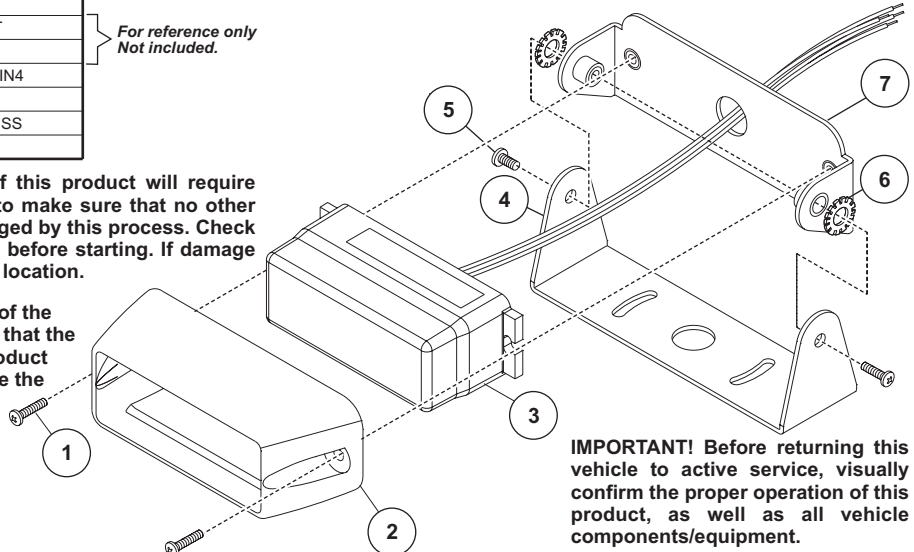
Internet: [www.whelen.com](http://www.whelen.com)  
Sales e-mail: [autosale@whelen.com](mailto:autosale@whelen.com)  
Canadian Sales e-mail: [autocan@whelen.com](mailto:autocan@whelen.com)  
Customer Service e-mail: [custserv@whelen.com](mailto:custserv@whelen.com)

QTY	ITEM	DESCRIPTION
2	1	SCREW, #6-32 X 1/2 PPHMS SS
REF	2	FLANGE, TALL, SURFACE MOUNT
REF	3	LIGHTHEAD ASSY
1	4	BASE, SWIVEL MOUNT, SINGLE LIN4
2	5	SCREW / #8-32 X 3/8 PPHMS SS
2	6	LOCKWASHER / #10 EXT. TOOTH SS
1	7	BRACKET, SWIVEL MOUNT

*For reference only  
Not included.*

**WARNING!** Permanent mounting of this product will require drilling. It is absolutely necessary to make sure that no other vehicle components could be damaged by this process. Check both sides of the mounting surface before starting. If damage is likely, select a different mounting location.

**IMPORTANT:** It is the responsibility of the installation technician to make sure that the installation and operation of this product will not interfere with or compromise the operation or efficiency of any vehicle equipment!



**SBKT4** Follow the mounting configuration below. The screws that mount the bracket to the vehicle are customer supplied.

**IMPORTANT!** Before returning this vehicle to active service, visually confirm the proper operation of this product, as well as all vehicle components/equipment.

©2008 Whelen Engineering Company Inc.  
Form No.14195 (050508)

**For warranty information regarding this product, visit [www.whelen.com/warranty](http://www.whelen.com/warranty)**