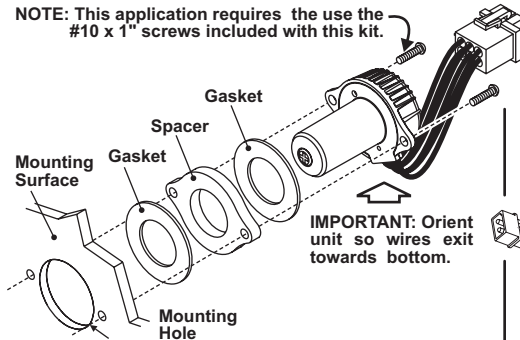
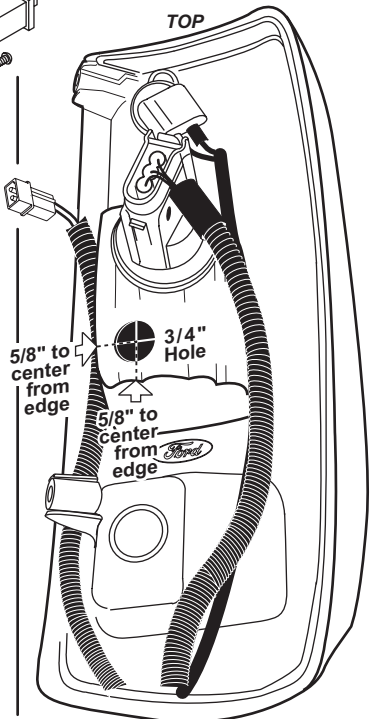


NOTE: This application requires the use of the #10 x 1" screws included with this kit.



Driver side tail light / rear view



IMPORTANT!

Installation of the Whelen® LED Hide-A-Way into the rear taillight housing of a 2008 Ford F-250/-350/-450 will require supplemental components in addition to those included with your LED system. Install these components.

The adaptor kit includes the following items:

- 1 Spacer
- 1 Gasket
- 2 #10 x 1" Sheet Metal Screws

Refer to the installation manual included with your LED system for complete installation instructions.

For warranty information regarding this product, visit www.whelen.com/warranty