

# WHELEN<sup>®</sup>

ENGINEERING COMPANY INC.

51 Winthrop Road  
 Chester, Connecticut 06412-0684  
 Phone: (860) 526-9504  
 Fax: (860) 526-2009  
 Internet: www.whelen.com  
 Sales/Service e-mail: aviation@whelen.com

**Installation Guide:**  
**Model(s) 9035801, 9035802, 9035803, 9035804**  
**P/Ns 01-0790358-01, 01-0790358-02**  
**01-0790358-03, 01-0790358-04**  
**LED Anti-Collision/LED Position Light Ass'y**



**TSO-C30c**  
**TYPES I, II & III;**  
**APPROVED**

**TSO-C96a**  
**CLASS II;**  
**APPROVED**



**SPECIFICATIONS:**

**Nominal Operational Voltage:**..... 28 VDC  
**Input Current:**  
 LED Position Light..... 0.5 amps  
 LED Anti-Collision Light (Pulse@0.25 sec) .. 4.2 amps  
 LED Anti-Collision Light (Average)..... 0.8 amps  
**Flashrate:** ..... 45± 5 per min.  
**Total Weight**  
 9035801, 9035802 ..... 1.3 lbs.  
 9035803, 9035804 ..... 1.35 lbs.

**EQUIPMENT LIMITATIONS:**

An approved lighting system consists of two lights, one located on each wingtip. The baseplate must be mounted parallel to the vertical and horizontal centerlines of the aircraft to project the patterns properly.

Certain types of installation may require additional testing.

**CONTINUED AIRWORTHINESS:**

The forward position light is designed with 6 LED's. The rear position light is designed with 3 LED's. The Anti-Collision light is designed with 36 LED's. If any one LED fails, the unit must be repaired or replaced. Inspect the lens. Replace if there is excessive scratching, pitting, discoloration or cracking.

Note: The anti-collision light will automatically shut-off after 9-10 flashes if a failure is detected.

**INSTALLATION PROCEDURES:**

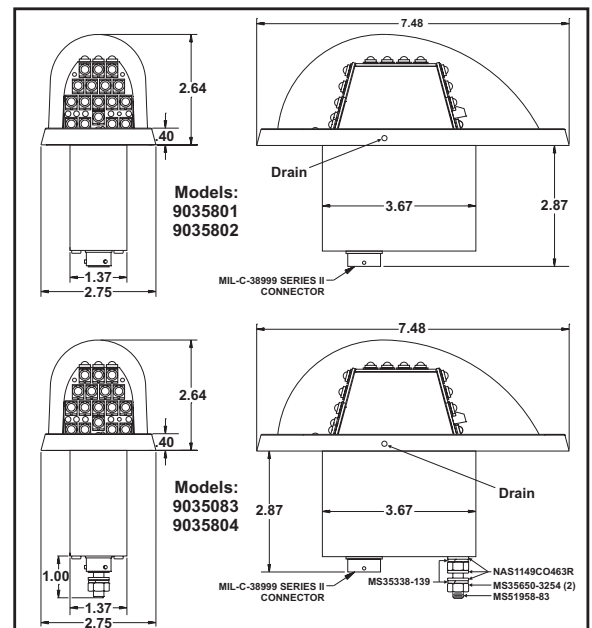
The following information is to assist you in installing a Whelen Anti-Collision / Position light system.

1. Choose the appropriate Model 90358( ) replacement light assembly.
2. The installation procedure described in the following text will be confined to a single light installation, but is identical for multiple light installations.
3. Connect the anti-collision inputs and the position light inputs according to the chart shown. Connections to be in accordance with FAA approved methods.

**NOTE:** Models 9035803 and 9035804 have an additional grounding stud.

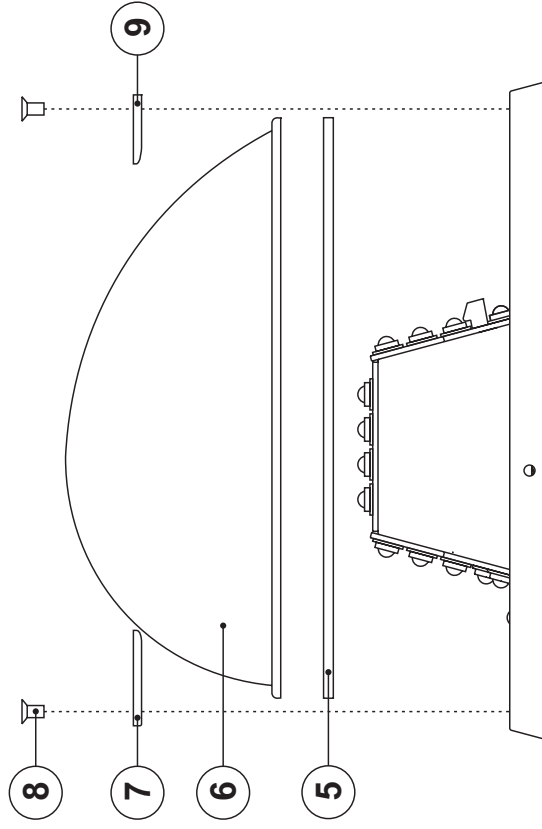
*The conditions and tests required for TSO approval of this article are minimum performance standards. It is the responsibility of those installing this article either on or within a specific type or class of aircraft to determine that the aircraft installation conditions are within the TSO standards. TSO articles must have separate approval for installation in aircraft. The article may be installed only if performed under 14 CFR part 43 or the applicable airworthiness requirements.*

4. Using #8 flathead screws, install light assembly and insure that all leads are clear of any obstructions and ty-rap as required. Secure light assembly, using vibration resistant threaded fasteners.
5. Reinstall the lens.
6. Check all avionics systems for interference from this installation.
7. A flight check should be performed by a properly certified pilot.
8. When necessary, waterproof the light base to aircraft. Apply single part silicone (RTV) or equivalent around any open area where water could get in. Do not block the drain hole.
9. Update aircraft records, complete Form 337 and obtain FAA field approval for installation, as necessary.

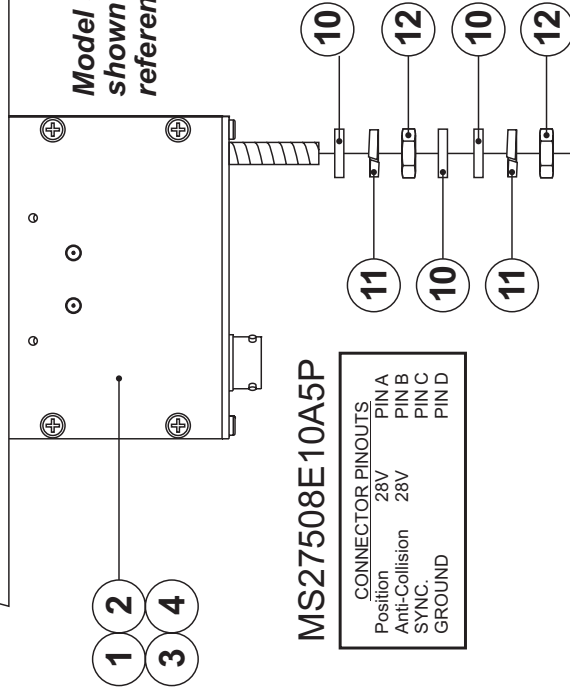


**Aviation**

QTY	QTY	QTY	QTY	ITEM	PART NUMBER	DESCRIPTION
	*				01-07903358-01	ASSY, GREEN LED FINAL MODEL 9035801
	*				01-07903358-02	ASSY, RED LED FINAL MODEL 9035802
*					01-07903358-03	ASSY, GREEN LED FINAL MODEL 9035803
*					01-07903358-04	ASSY, RED LED FINAL MODEL 9035804
-	-	1	1	1	01-0290421-40	ASSY, GRN MODULE 90358
-	-	1	-	2	01-0290421-50	ASSY, RED MODULE 90358
-	-	1	-	3	01-0290421-03	ASSY, GRN MODULE 90358
1	-	-	-	4	01-0290421-04	ASSY, RED MODULE 90358
1	1	1	1	5	38-0290396-00	GASKET, LENS
1	1	1	1	6	68-3990373A.30	LENS, CLEAR HARD COAT
1	1	1	1	7	19-150928-000	RETAINER, FORWARD
4	4	4	4	8	14-0050508-27	SCREW, 6-32 5/16 PPHMS CSNK
1	1	1	1	9	19-150929-000	RETAINER, TAIL
3	3	-	-	10	16-1301620-62	WASHER, FLAT NAS1149CO463R
2	2	-	-	11	16-0050506139	WASHER, SPRING LOCK MS35338-139
2	2	-	-	12	13-138130-000	NUT, 1/4-28, HEX, SS MS35650-3254

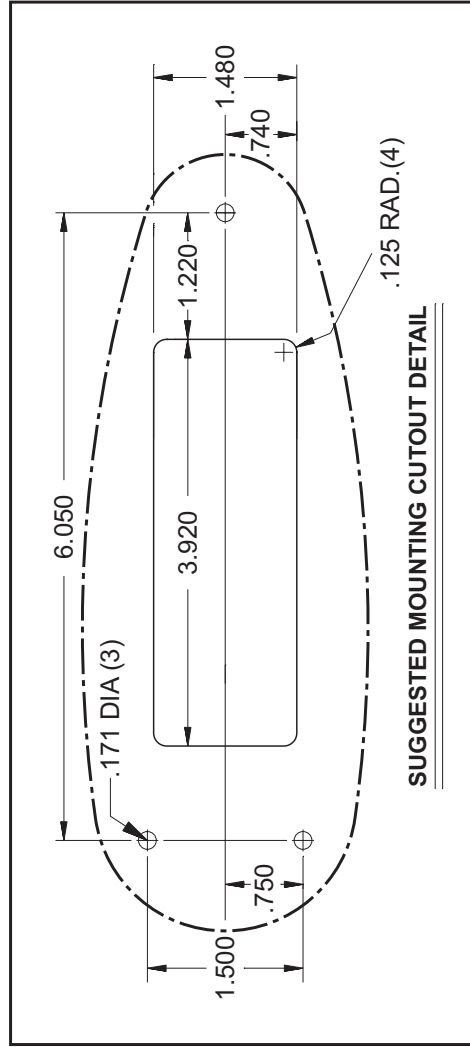


Model 9035803  
shown for  
reference only



MS27508E10A5P

CONNECTOR PINOUTS	
Position	PIN A
Anti-Collision	28V
SYNC.	28V
GROUND	PIN C
	PIN D



SUGGESTED MOUNTING CUTOUT DETAIL