

WHELEN[®]

ENGINEERING COMPANY INC.

51 Winthrop Road
Chester, Connecticut 06412-0684
Phone: (860) 526-9504
Fax: (860) 526-4078
Internet: www.whelen.com
Sales e-mail: autosale@whelen.com
Canadian Sales e-mail: autocan@whelen.com
Customer Service e-mail: custserv@whelen.com

Installation Guide: Pioneer™ Series LED Floodlight Horizontal Mount Vertical Mount

Safety First

This document provides all the necessary information to allow your Whelen product to be properly and safely installed. Before beginning the installation and/or operation of your new product, the installation technician and operator must read this manual completely. Important information is contained herein that could prevent serious injury or damage.

- **Proper installation of this product requires the installer to have a good understanding of automotive electronics, systems and procedures.**
- **If mounting this product requires drilling holes, the installer MUST be sure that no vehicle components or other vital parts could be damaged by the drilling process. Check both sides of the mounting surface before drilling begins. Also de-burr any holes and remove any metal shards or remnants. Install grommets into all wire passage holes.**
- **If this manual states that this product may be mounted with suction cups, magnets, tape or Velcro®, clean the mounting surface with a 50/50 mix of isopropyl alcohol and water and dry thoroughly.**
- **Do not install this product or route any wires in the deployment area of your air bag. Equipment mounted or located in the air bag deployment area will damage or reduce the effectiveness of the air bag, or become a projectile that could cause serious personal injury or death. Refer to your vehicle owner's manual for the air bag deployment area. The User/Installer assumes full responsibility to determine proper mounting location, based on providing ultimate safety to all passengers inside the vehicle.**
- **For this product to operate at optimum efficiency, a good electrical connection to chassis ground must be made. The recommended procedure requires the product ground wire to be connected directly to the NEGATIVE (-) battery post.**
- **If this product uses a remote device to activate or control this product, make sure that this control is located in an area that allows both the vehicle and the control to be operated safely in any driving condition.**
- **Do not attempt to activate or control this device in a hazardous driving situation.**
- **This product contains either strobe light(s), halogen light(s), high-intensity LEDs or a combination of these lights. Do not stare directly into these lights. Momentary blindness and/or eye damage could result.**
- **Use only soap and water to clean the outer lens. Use of other chemicals could result in premature lens cracking (crazing) and discoloration. Lenses in this condition have significantly reduced effectiveness and should be replaced immediately. Inspect and operate this product regularly to confirm its proper operation and mounting condition. Do not use a pressure washer to clean this product.**
- **It is recommended that these instructions be stored in a safe place and referred to when performing maintenance and/or reinstallation of this product.**
- **FAILURE TO FOLLOW THESE SAFETY PRECAUTIONS AND INSTRUCTIONS COULD RESULT IN DAMAGE TO THE PRODUCT OR VEHICLE AND/OR SERIOUS INJURY TO YOU AND YOUR PASSENGERS!**

For warranty information regarding this product, visit www.whelen.com/warranty

Mounting...

1. Position the appropriate mounting bracket (Item #7 or #8) onto the proposed mounting surface. Mark the areas where the mounting holes are to be drilled.
2. Drill the mounting holes required using an appropriately sized drill bit (refer to the Mounting Hole Specifications shown below).

IMPORTANT NOTE! This installation uses Rivnuts to secure the brackets to the vehicle. This type of hardware requires the use of a specialized installation tool. Refer to the owners manual included with this tool for proper installation techniques. Be sure to follow the mounting hole specifications precisely!

3. With the Rivnuts properly installed, position the appropriate seal (#9 or #10) over the mounting holes and position the mounting bracket onto the seal. The floodlight can now be mounted onto the vehicle using the appropriate hardware (Items #4, #5 & #6). Insert the bolts into their holes with the hardware shown.
4. Apply a drop of LocTite 242 to each of the four mounting bolts and insert them into their Rivnut. Tighten each bolt to 50 in/lbs.
5. Secure the appropriate Pioneer mounting bracket (Item #12 or #13) to the Pioneer assembly using Item #14 (apply a drop of LocTite®

242 to the threads). Insert the floodlight brackets (Item #16) into the mounting bracket as shown. Secure these brackets using the hardware provided (#15).

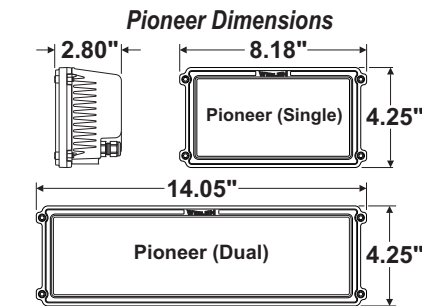
6. Using the appropriate hardware (Items #1, #2 & #3), install the floodlight assembly onto the mounting bracket.
7. Adjust the floodlight to the desired angle and tighten the hardware firmly to maintain that angle.

Wiring...

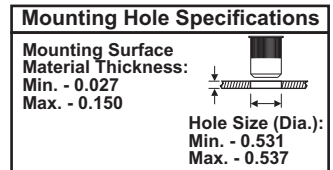
All customer supplied wires that connect to the positive terminal of the battery must be sized to supply at least 125% of the maximum operating current and FUSED at the battery to carry that load. DO NOT USE CIRCUIT BREAKERS WITH THIS PRODUCT!

Refer to the wiring guide included with your Pioneer for wire functions, fuse values and optional switch connections.

IMPORTANT! Before returning the vehicle to active service, visually confirm the proper operation of this product, as well as all vehicle components/equipment.



CAUTION-Hot Surface!
Make sure to route all wires away from the heat sink fins.



Sample Part Number Key

- 01-0686136_ _ _ _
- 00 = 12V / White
 - 01 = 12V / White (15' (Dual Only))
 - 02 = 12V / Black (15' (Dual Only))
 - 07 = 12V / Black
 - 24 = 24V / White
 - 27 = 24V / Black
 - D27= 24V / Desert Sand (Pioneer Plus-only)

PART NUMBER	DESCRIPTION
01-0686487	Pioneer™ Series LED Floodlight (Single)
01-0686489	Pioneer Series LED Floodlight (Dual)
01-0686448	Pioneer Series PLUS LED Floodlight (Single)
01-0686449	Pioneer Series PLUS LED Floodlight (Dual)

QTY	QTY	QTY	ITEM	PART NUMBER	DESCRIPTION
	*			01-046B090-00	Pioneer™ (Single) Mounting Kit - Horizontal Mount
	*			01-0486084-00	Pioneer™ (Dual) Mounting Kit - Horizontal Mount
*				01-0486082-00	Pioneer™ (Dual) Mounting Kit - Vertical Mount
4	4	4	1	14-156B36-120	Soc. Button Head Screw, 3/8-16 X 3/4 S.S.
4	4	4	2	16-1532220-10	3/8 Washer, Split-Lok S.S.
4	4	4	3	16-1503220-60	3/8 Flat Washer, S.S.
4	4	3	4	14-148B26-180	Soc. Button Head Screw, 5/16-18 X 1 1/8 S.S.
4	4	3	5	16-1431920-08	5/16 Washer, Split-Lok S.S.
4	4	3	6	16-1402420-05	5/16 Flat Washer, S.S.
-	-	1	7	07-26B090-001	Horizontal Mounting Bracket (Single)
-	1	-	8	07-286084-001	Horizontal Mounting Bracket (Dual)
1	-	-	9	07-286082-001	Vertical Mounting Bracket (Dual)
-	-	1	10	38-0243736-00	Seal (Single)
1	1	-	11	38-0243669-00	Seal (Dual)
4	4	3	12	13-148F18-000	Rivnut 5/16-18
-	-	1	13	07-243901-001	Pioneer Mounting Bracket, Single
1	1	-	14	07-26B854-001	Pioneer Mounting Bracket, Dual
4	4	3	15	14-104116-060	Screw, #10- 24 X 3/8 PFHMS, S.S.
4	4	4	16	14-130536-04M	Screw, 1/4-20 X 1/4 Socket set S.S. w/Cup Point
2	2	2	17	07-243735-000	Light Bracket, Floodlight

